



ECX[®]



TEMPER[®]

1:18 GEN2 4WD BRUSHED ROCK CRAWLER RTR

ECX01015T1/T2

**INSTRUCTION MANUAL
BEDIENUNGSANLEITUNG
MANUEL D'UTILISATION
MANUALE DI ISTRUZIONI**

Congratulations on your purchase of the ECX[®] Temper[®] Gen2 4WD Brushed Rock Crawler. This model introduces you to the sport of RC driving.

Herzlichen Glückwunsch zum Kauf des ECX Temper Gen2 4WD Brushed Rock Crawler. Dieses Modell ist der gelungene Einstieg in die Welt des RC Cars Sports.

Félicitations pour votre achat du Rock Crawler Temper Gen2 à balais 4 roues motrices. Ce modèle vous permettra de découvrir l'univers du RC.

Congratulazioni per aver scelto il Rock Crawler ECX Temper Gen2 4WD Brushed. Questo modello dà accesso al mondo degli automodelli radiocomandati.

NOTICE

All instructions, warranties and other collateral documents are subject to change at the sole discretion of Horizon Hobby, LLC. For up-to-date product literature, visit <http://www.horizonhobby.com> and click on the support tab for this product.

MEANING OF SPECIAL LANGUAGE

The following terms are used throughout the product literature to indicate various levels of potential harm when operating this product:

WARNING: Procedures, which if not properly followed, create the probability of property damage, collateral damage, and serious injury OR create a high probability of superficial injury.

CAUTION: Procedures, which if not properly followed, create the probability of physical property damage AND a possibility of serious injury.

NOTICE: Procedures, which if not properly followed, create a possibility of physical property damage AND little or no possibility of injury.



WARNING: Read the ENTIRE instruction manual to become familiar with the features of the product before operating. Failure to operate the product correctly can result in damage to the product, personal property and cause serious injury.

This is a sophisticated hobby product and NOT a toy. It must be operated with caution and common sense and requires some basic mechanical ability. Failure to operate this Product in a safe and responsible manner could result in injury or damage to the product or other property. This product is not intended for use by children without direct adult supervision. Do not use with incompatible components or alter this product in any way outside of the instructions provided by Horizon Hobby, LLC. This manual contains instructions for safety, operation and maintenance. It is essential to read and follow all the instructions and warnings in the manual, prior to assembly, setup or use, in order to operate correctly and avoid damage or serious injury.

Age Recommendation: Not for children under 14 years. This is not a toy.

SAFETY PRECAUTIONS AND WARNINGS

As the user of this product, you are solely responsible for operating in a manner that does not endanger yourself and others or result in damage to the product or property of others.

This model is controlled by a radio signal subject to interference from many sources outside your control. This interference can cause momentary loss of control, so it is advisable to always keep a safe distance in all directions around your model as this margin will help avoid collisions or injury.

- Never operate your model with low transmitter batteries.
- Always operate your model in open spaces away from full-size vehicles, traffic and people.
- Never operate the model in the street or in populated areas for any reason.
- Carefully follow the directions and warnings for this and any optional support equipment (chargers, rechargeable battery packs, etc.) you use.
- Keep all chemicals, small parts and anything electrical out of the reach of children.
- Never lick or place any portion of the model in your mouth as it could cause serious injury or even death.
- Exercise caution when using tools and sharp instruments.
- Take care during maintenance as some parts may have sharp edges.
- Immediately after using your model, do NOT touch equipment such as the motor, electronic speed control and battery, because they generate high temperatures. You may burn yourself seriously touching them.
- Do not put fingers or any objects inside rotating and moving parts, as this may cause damage or serious injury.
- Always turn on your transmitter before you turn on the receiver in the car. Always turn off the receiver before turning your transmitter off.
- Keep the wheels of the model off the ground when checking the operation of the radio equipment.

WATER-RESISTANT VEHICLE WITH WATERPROOF ELECTRONICS

Your new Horizon Hobby vehicle has been designed and built with a combination of waterproof and water-resistant components to allow you to operate the product in many "wet conditions," including puddles, creeks, wet grass, snow and even rain.

While the entire vehicle is highly water-resistant, it is not completely waterproof and your vehicle should NOT be treated like a submarine. The various electronic components used in the vehicle, such as the Electronic Speed Control (ESC) and servo(s) are waterproof, however, most of the mechanical components are water-resistant and should not be submerged.

Metal parts, including the bearings, hinge pins, screws and nuts, as well as the contacts in the electrical cables, will be susceptible to corrosion if additional maintenance is not performed after running in wet conditions. To maximize the long-term performance of your vehicle and to keep the warranty intact, the procedures described in the "Wet Conditions Maintenance" section below must be performed regularly if you choose to run in wet conditions. If you are not willing to perform the additional care and maintenance required, then you should not operate the vehicle in those conditions.



CAUTION: Failure to exercise caution while using this product and complying with the following precautions could result in product malfunction and/or void the warranty.

General Precautions

- Read through the wet conditions maintenance procedures and make sure that you have all the tools you will need to properly maintain your vehicle.
- Not all batteries can be used in wet conditions. Consult the battery manufacturer before use. Do not use Li-Po batteries in wet conditions.
- The included transmitter is not waterproof or water-resistant. If using a different transmitter than the one included, consult your transmitter's manual or the manufacturer before operation.
- Never operate your transmitter or vehicle where lightning may be present.
- Do not operate your vehicle where it could come in contact with salt water (ocean water or water on salt-covered roads), contaminated or polluted water. Salt water is very conductive and highly corrosive, so use caution.
- Even minimal water contact can reduce the life of your motor if it has not been certified as water-resistant or waterproof. If the motor becomes excessively wet, apply very light throttle until the water is mostly removed from the motor. Running a wet motor at high speeds may rapidly damage the motor.
- Driving in wet conditions can reduce the life of the motor. The additional resistance of operating in water causes excess strain. Alter the gear ratio by using a smaller pinion or larger spur gear. This will increase torque (and motor life) when running in mud, deeper puddles, or any wet conditions that will increase the load on the motor for an extended period of time.

Wet Conditions Maintenance

- Remove the battery pack(s) and dry the contacts. If you have an air compressor or a can of compressed air, blow out any water that may be inside the recessed connector housing.
- Remove the tires/wheels from the vehicle and gently rinse the mud and dirt off with a garden hose. Avoid rinsing the bearings and transmission.

NOTICE: Never use a pressure washer to clean your vehicle.

- Use an air compressor or a can of compressed air to dry the vehicle and help remove any water that may have gotten into small crevices or corners.

- Spray the bearings, drive train, fasteners and other metal parts with a water-displacing light oil or lubricant. Do not spray the motor.
- Let the vehicle air dry before you store it. Water (and oil) may continue to drip for a few hours.
- Increase the frequency of disassembly, inspection and lubrication of the following:
 - Front and rear axle hub assembly bearings.
 - All transmission cases, gears and differentials.
 - Motor—clean with an aerosol motor cleaner and re-oil the bushings with lightweight motor oil.

COMPONENTS

- ECX® Temper® Brushed Rock Crawler
- ECX® 2.4GHz 2-CH V4 Surface Transmitter (ECX13008)
- 100mAh Wall Charger with EC3™ Connector (INTL: DYNC1017) (US: DYNC1015)
- Dynamite® 7.2V 900mAh NiMH 6C, 3+3 with EC3™ Connector (DYNB0111EC)
- Dynamite® 32T 380 Brushed Motor (DYNS1207)
- Rock Crawling ESC/Receiver 2.4GHz (ECX11008)
- Spektrum™ 3KG Plastic Gear Servo, WP, 23T (SPMS603)
- AA (4) Batteries

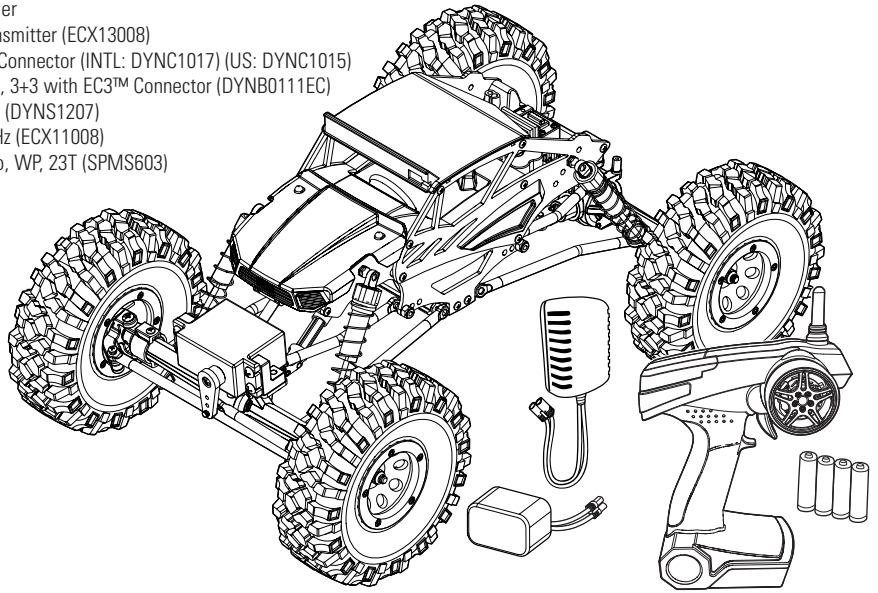


TABLE OF CONTENTS

| | | | |
|--|---|--|-------|
| Quick Start..... | 3 | Motor Care..... | 7 |
| Vehicle Preparations | 4 | Maintenance | 8 |
| Charging the Vehicle Battery | 4 | Setting the Gear Mesh..... | 8 |
| Charging Warnings | 4 | Troubleshooting Guide | 8 |
| Installing the Battery..... | 4 | Limited Warranty | 9 |
| Transmitter Controls..... | 5 | Warranty and Service Contact Information | 10 |
| Installing Transmitter Batteries | 5 | FCC Information..... | 10 |
| Binding | 6 | IC Information..... | 10 |
| Getting Started..... | 6 | Replacement Parts | 36 |
| Operation..... | 7 | Optional Parts..... | 37 |
| When You Are Finished..... | 7 | Parts Diagram..... | 37–39 |

QUICK START

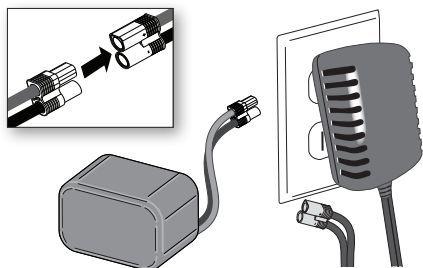
Please read the entire manual to gain a full understanding of the vehicle, fine-tuning the setup and performing maintenance.

1. Read the safety precautions found in this manual.
2. Charge a battery for the vehicle. Refer to the included charging warnings and instructions for battery charging information.
3. Install the AA batteries in the transmitter. Only use alkaline or rechargeable batteries.
4. Install the fully charged battery in the vehicle.
5. Power ON the transmitter and then the vehicle. Wait 5 seconds for the ESC to initialize. Always power the transmitter ON before the vehicle and power it OFF after the vehicle has been powered OFF.
6. Check the steering and throttle control directions. Verify that the servos are moving in the correct direction.
7. Drive your vehicle.
8. Perform any necessary maintenance.

VEHICLE PREPARATIONS

CHARGING THE VEHICLE BATTERY

NOTICE: Never charge a battery in the vehicle or damage may result.



1. Connect the NiMH battery to the battery charger.
2. Connect the charger to an AC power outlet.
3. Allow the NiMH battery to charge for 9 hours.

CHARGING WARNINGS

WARNING: Failure to exercise caution while using this product and comply with the following warnings could result in product malfunction, electrical issues, excessive heat, FIRE, and ultimately injury and property damage.

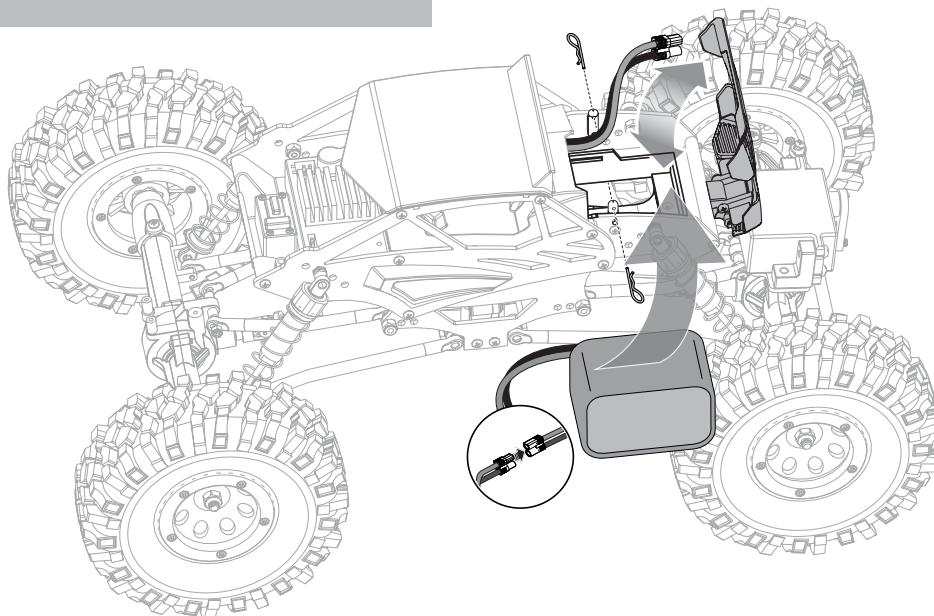
- **NEVER LEAVE CHARGING BATTERIES UNATTENDED.**
- **NEVER CHARGE BATTERIES OVERNIGHT.**

- Read all safety precautions and literature prior to use of this product.
- Never leave the battery and charger unattended during use.
- Never allow children under 14 years of age to charge battery packs.
- Never attempt to charge dead or damaged batteries.
- Never charge a battery if the cable has been pinched or shorted.
- Never allow batteries or charger to come into contact with moisture at any time.
- Never charge batteries in extremely hot or cold places (recommended between 50–80°F [10–26°C]) or place in direct sunlight.
- Always use only Ni-MH rechargeable batteries. This charger cannot charge batteries such as “heavy duty,” “alkaline,” “mercury” or “lithium” battery.
- Always connect to the charger correctly.
- Always disconnect the battery and charger after charging and let them cool between charges.
- Always inspect the battery before charging.
- Always terminate all processes and contact Horizon Hobby if the product malfunctions.
- Always make sure you know the specifications of the battery to be charged or discharged to ensure it meets the requirements of this charger.
- Always constantly monitor the temperature of the battery pack while charging.
- Always end the charging process if the charger or battery becomes hot to the touch or starts to change form during the charge process.
- Always charge in a well ventilated area.

INSTALLING THE BATTERY

1. Remove the body clips and lift the vehicle hood.
2. Install a fully charged battery.
3. Secure the battery pack using the hook and loop straps.
4. Connect the battery pack to the ESC power connector.

CAUTION: Connecting the battery to the ESC with reversed polarity will cause damage to the ESC, the battery or both. Damage caused by incorrectly connecting the battery is not covered under warranty.



TRANSMITTER CONTROLS

Reverse Switch



Allows you to change the direction of steering (ST. REV) and throttle (TH. REV) controls (Ensure proper function with a radio system test)

Throttle Dual Rate

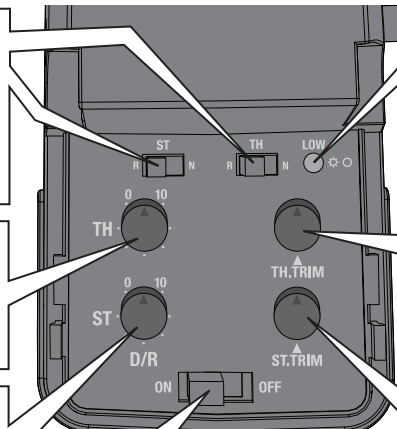


Adjusts the maximum amount of throttle the model can be given

Steering Rate



Adjusts the amount the front wheels move when the steering wheel is turned left or right



Battery Level Indicator

Solid Red: Battery voltage is good (above 4V)
 Flashing Red: Battery voltage is critically low (below 4V).
 Replace transmitter batteries

Throttle Trim



Adjusts the neutral point of the electronic speed control

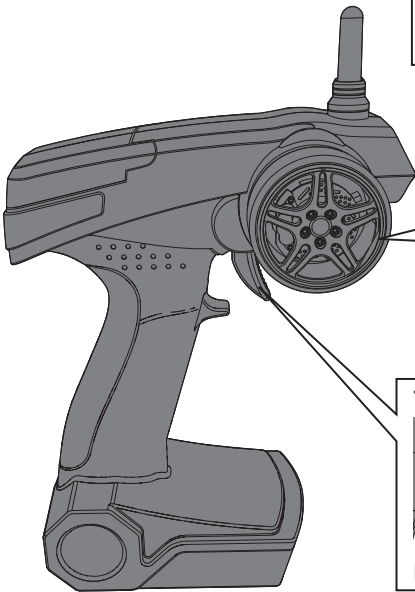
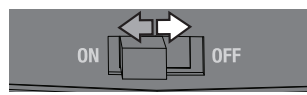
Steering Trim



Adjust to make the model drive straight with no input at the steering wheel

Power Switch

Power ON or OFF the transmitter

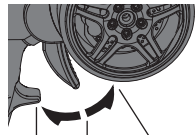


Steering Wheel



Controls RIGHT and LEFT steering

Throttle Trigger



Forward Stop Reverse

Controls power to the motor for forward or reverse

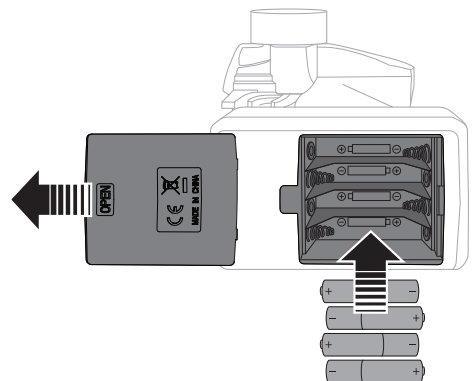
INSTALLING TRANSMITTER BATTERIES

This transmitter requires 4 AA batteries.

1. Remove the battery cover from the transmitter.
2. Install the batteries as shown.
3. Install the battery cover.

CAUTION: If using rechargeable batteries, charge only rechargeable batteries. Charging non-rechargeable batteries may cause the batteries to burst, resulting in injury to persons and/or damage to property.

CAUTION: Risk of explosion if battery is replaced with an incorrect type. Dispose of used batteries according to national regulations.



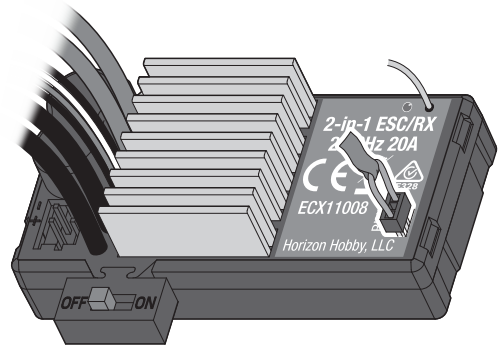
BINDING

The included transmitter and receiver are bound at the factory. If you need to rebind, follow the instructions below.

1. Power ON the receiver. The receiver LED flashes slowly.
2. Insert the bind plug into the receiver's binding pins. The receiver LED flashes rapidly.
3. Power ON the transmitter.
4. The receiver LED turns solid when binding is successful. Remove the bind plug.

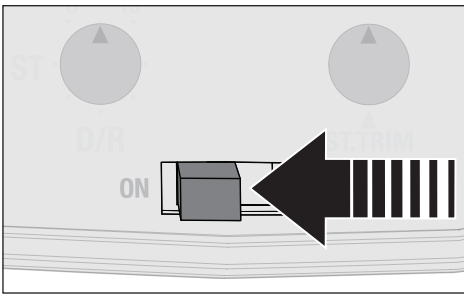
You must rebind when binding the receiver to a different transmitter.

NOTICE: Do not attempt to bind the transmitter and receiver if there are other compatible transmitters in bind mode within 400 feet. Doing so may result in unexpected binding.

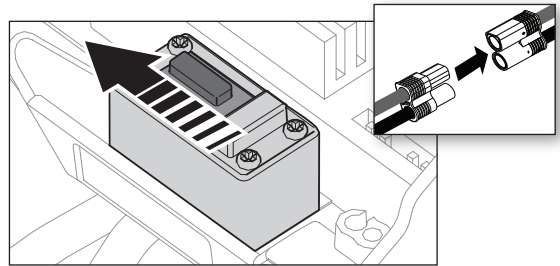


GETTING STARTED

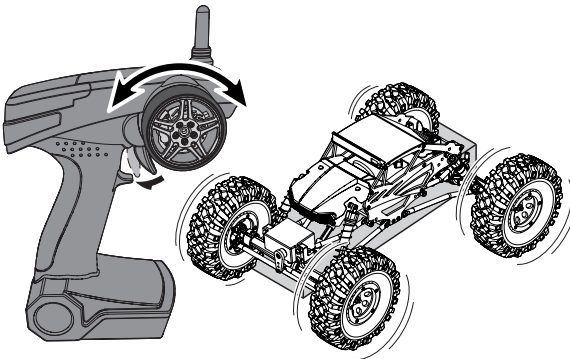
1. Power on the transmitter.



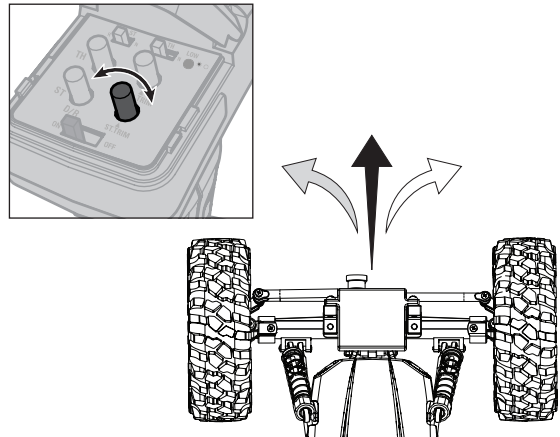
2. Connect the battery to the Electronic Speed Control (ESC) / receiver and power on the vehicle.



3. Perform a test of the transmitter's control of the vehicle with the vehicle's wheels off the ground.



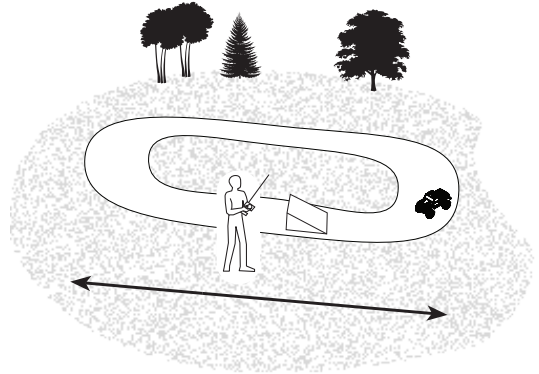
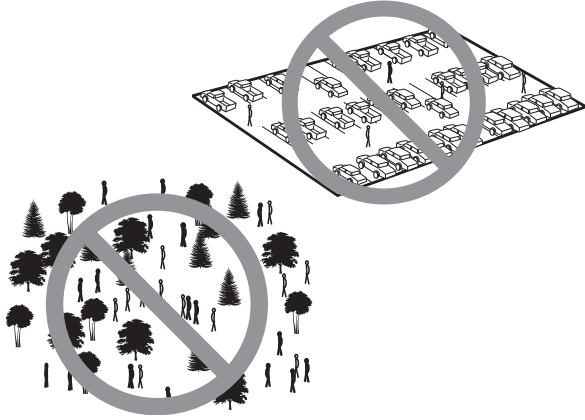
4. Start driving slowly, and, if the vehicle does not go straight, adjust the steering trim dial on the transmitter.



IMPORTANT: Seat the motor brushes by driving smoothly on a flat surface during use of the first battery charge. Properly seating the motor brushes will increase the life and performance of the motor.

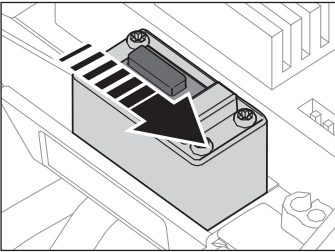
OPERATION

- ALWAYS turn on your transmitter before you turn on the receiver in the vehicle. Always power off the receiver before turning your transmitter off.
- ALWAYS operate your vehicle in a wide open area. Operating the vehicle in a small space or indoors can cause overheating at low speeds. Operating at low speed increases heat in the electronic speed control (ESC). Overheating can damage the vehicle and failure may result.

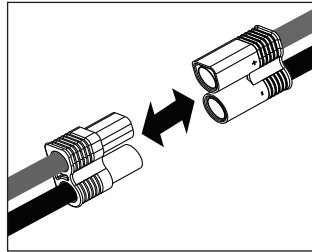


WHEN YOU ARE FINISHED

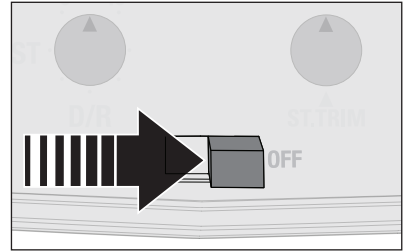
1. Power off the ESC.



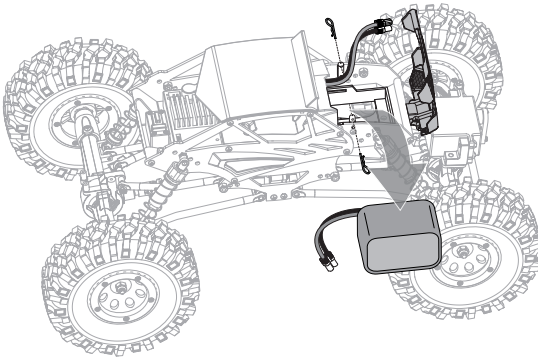
2. Disconnect the battery.



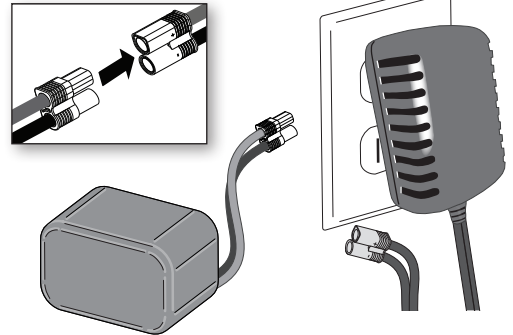
3. Power off the transmitter.



4. Remove the battery from the vehicle.



5. Recharge the battery.



MOTOR CARE

- Seat the motor brushes by driving smoothly on a flat surface during use of the first battery charge. **Failing to do so can greatly reduce motor performance and functional life.**
- Prolong motor life by preventing overheating conditions. Undue motor wear results from frequent turns, stops and starts, pushing objects, driving in deep water and tall grass, and driving continuously up hill. **Allow the motor to cool completely before running the vehicle.**
- Over-temperature protection is installed on the ESC to prevent circuit damage, but cannot protect the motor from driving against heavy resistance.

MAINTENANCE

SETTING THE GEAR MESH

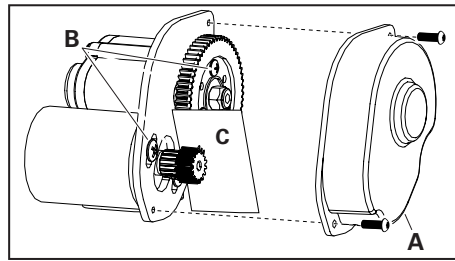
The gear mesh has already been set at the factory. Setting the gear mesh is only necessary when changing motors or gears.

You must remove the vehicle's gear cover (A) to make this adjustment.

Proper gear mesh (how the gear teeth meet) is important to the performance of the vehicle. When the gear mesh is too loose, the spur gear could be damaged by the pinion gear of the motor. If the mesh is too tight, speed could be limited and the motor and ESC will overheat.

Set the gear mesh by following these simple steps:

1. Loosen the 2 motor screws (B).
2. Put a small piece of paper (C) between the pinion and spur gears.
3. Push the gears together while tightening the motor screws.
4. Rotate the gears to remove the paper. The gearing should move a small amount.
5. Reinstall the gear cover.



TROUBLESHOOTING GUIDE

| Problem | Possible Cause | Solution |
|--|--|--|
| Short Run Time | Battery damaged/not charged | Check/change battery |
| | Motor dirty | Check/clean |
| Sluggish Action | Motor dirty | Check/clean |
| | Bind in drivetrain | Clean/adjust |
| | Vehicle battery is not charged | Replace/recharge |
| Controls Reversed | ST. REV or TH. REV | Change switch position |
| Motor/ESC overheat | Over-geared for the driving environment | Install smaller pinion on the motor |
| Does Not Operate | Transmitter batteries low | Replace/recharge |
| | Transmitter powered off | Power on |
| | ESC powered off | Power on |
| | Vehicle battery is not charged | Replace/recharge |
| | Dual-rate (D/R) steering and/or throttle knobs on transmitter are turned to zero | Adjust dual-rate (D/R) steering and/or throttle knobs to 10 |
| Poor Range | Transmitter batteries low | Replace/recharge |
| | Receiver antenna damaged | Check/repair/replace |
| System Does Not Connect | Transmitter and receiver too near each other | Move transmitter 3.3–9.8ft (1–3m) from receiver |
| | Transmitter and receiver too near large metal objects (vehicles, etc.) | Move away from large metal objects (vehicles, etc.) |
| | Throttle trim out of center on transmitter | Set throttle trim on transmitter to zero. Turn off and on transmitter and vehicle |
| | Receiver accidentally put in bind mode so receiver is no longer bound | Rebind transmitter and receiver |
| Receiver enters failsafe a short distance from the transmitter | Check the receiver antenna to be sure it is not cut or damaged | Make sure the antenna is in the antenna tube Contact Horizon Product Support |
| Receiver quits responding during operation | Low battery voltage | Completely recharge battery |
| | Loose or damaged wires or connectors between battery and receiver | Do a check of the wires and connection between battery and receiver. Repair or replace wires and/or connectors |
| Receiver and transmitter are not bound | Transmitter accidentally put in bind mode, ending bind to receiver | Bind transmitter to receiver |
| Vehicle moves forward/backward without user input | Throttle trim on transmitter not centered | Adjust throttle trim to set neutral point |
| Car does not drive straight | Steering trim on transmitter not centered | Adjust steering trim so vehicle drives straight |
| No steering/lack of steering | Steering dual-rate (D/R) not adjusted correctly | Adjusts steering dual-rate (D/R) knob on transmitter to desired steering throw |
| | Servo failed | Contact Horizon Product Support |
| No throttle/lack of throttle | Throttle dual-rate (D/R) not adjusted correctly | Adjust throttle dual-rate (D/R) knob on transmitter to desired steering throw |
| | ESC failed | Contact Horizon Product Support |
| | Motor failed | Contact Horizon Product Support |
| Clicking noise in transmission area | Dirt or rocks in spur gear | Remove gear cover and inspect. If necessary, replace gear |
| | Motor moved away from spur gear | Reset gear mesh |

LIMITED WARRANTY

What this Warranty Covers

Horizon Hobby, LLC, (Horizon) warrants to the original purchaser that the product purchased (the "Product") will be free from defects in materials and workmanship at the date of purchase.

What is Not Covered

This warranty is not transferable and does not cover (i) cosmetic damage, (ii) damage due to acts of God, accident, misuse, abuse, negligence, commercial use, or due to improper use, installation, operation or maintenance, (iii) modification of or to any part of the Product, (iv) attempted service by anyone other than a Horizon Hobby authorized service center, (v) Product not purchased from an authorized Horizon dealer, or (vi) Product not compliant with applicable technical regulations or (vii) use that violates any applicable laws, rules, or regulations.

OTHER THAN THE EXPRESS WARRANTY ABOVE, HORIZON MAKES NO OTHER WARRANTY OR REPRESENTATION, AND HEREBY DISCLAIMS ANY AND ALL IMPLIED WARRANTIES, INCLUDING, WITHOUT LIMITATION, THE IMPLIED WARRANTIES OF NON-INFRINGEMENT, MERCHANTABILITY AND FITNESS FOR A PARTICULAR PURPOSE. THE PURCHASER ACKNOWLEDGES THAT THEY ALONE HAVE DETERMINED THAT THE PRODUCT WILL SUITABLY MEET THE REQUIREMENTS OF THE PURCHASER'S INTENDED USE.

Purchaser's Remedy

Horizon's sole obligation and purchaser's sole and exclusive remedy shall be that Horizon will, at its option, either (i) service, or (ii) replace, any Product determined by Horizon to be defective. Horizon reserves the right to inspect any and all Product(s) involved in a warranty claim. Service or replacement decisions are at the sole discretion of Horizon. Proof of purchase is required for all warranty claims. SERVICE OR REPLACEMENT AS PROVIDED UNDER THIS WARRANTY IS THE PURCHASER'S SOLE AND EXCLUSIVE REMEDY.

Limitation of Liability

HORIZON SHALL NOT BE LIABLE FOR SPECIAL, INDIRECT, INCIDENTAL OR CONSEQUENTIAL DAMAGES, LOSS OF PROFITS OR PRODUCTION OR COMMERCIAL LOSS IN ANY WAY, REGARDLESS OF WHETHER SUCH CLAIM IS BASED IN CONTRACT, WARRANTY, TORT, NEGLIGENCE, STRICT LIABILITY OR ANY OTHER THEORY OF LIABILITY, EVEN IF HORIZON HAS BEEN ADVISED OF THE POSSIBILITY OF SUCH DAMAGES. Further, in no event shall the liability of Horizon exceed the individual price of the Product on which liability is asserted. As Horizon has no control over use, setup, final assembly, modification or misuse, no liability shall be assumed nor accepted for any resulting damage or injury. By the act of use, setup or assembly, the user accepts all resulting liability. If you as the purchaser or user are not prepared to accept the liability associated with the use of the Product, purchaser is advised to return the Product immediately in new and unused condition to the place of purchase.

Law

These terms are governed by Illinois law (without regard to conflict of law principals). This warranty gives you specific legal rights, and you may also have other rights which vary from state to state. Horizon reserves the right to change or modify this warranty at any time without notice.

WARRANTY SERVICES

Questions, Assistance, and Services

Your local hobby store and/or place of purchase cannot provide warranty support or service. Once assembly, setup or use of the Product has been started, you must contact your local distributor or Horizon directly. This will enable Horizon to better answer your questions and service you in the event

that you may need any assistance. For questions or assistance, please visit our website at www.horizonhobby.com, submit a Product Support Inquiry, or call the toll free telephone number referenced in the Warranty and Service Contact Information section to speak with a Product Support representative.

Inspection or Services

If this Product needs to be inspected or serviced and is compliant in the country you live and use the Product in, please use the Horizon Online Service Request submission process found on our website or call Horizon to obtain a Return Merchandise Authorization (RMA) number. Pack the Product securely using a shipping carton. Please note that original boxes may be included, but are not designed to withstand the rigors of shipping without additional protection. Ship via a carrier that provides tracking and insurance for lost or damaged parcels, as Horizon is not responsible for merchandise until it arrives and is accepted at our facility. An Online Service Request is available at http://www.horizonhobby.com/content/service-center_render-service-center. If you do not have internet access, please contact Horizon Product Support to obtain a RMA number along with instructions for submitting your product for service. When calling Horizon, you will be asked to provide your complete name, street address, email address and phone number where you can be reached during business hours. When sending product into Horizon, please include your RMA number, a list of the included items, and a brief summary of the problem. A copy of your original sales receipt must be included for warranty consideration. Be sure your name, address, and RMA number are clearly written on the outside of the shipping carton.

NOTICE: Do not ship Li-Po batteries to Horizon. If you have any issue with a Li-Po battery, please contact the appropriate Horizon Product Support office.

Warranty Requirements

For Warranty consideration, you must include your original sales receipt verifying the proof-of-purchase date. Provided warranty conditions have been met, your Product will be serviced or replaced free of charge. Service or replacement decisions are at the sole discretion of Horizon.

Non-Warranty Service

Should your service not be covered by warranty, service will be completed and payment will be required without notification or estimate of the expense unless the expense exceeds 50% of the retail purchase cost. By submitting the item for service you are agreeing to payment of the service without notification. Service estimates are available upon request. You must include this request with your item submitted for service. Non-warranty service estimates will be billed a minimum of ½ hour of labor. In addition you will be billed for return freight. Horizon accepts money orders and cashier's checks, as well as Visa, MasterCard, American Express, and Discover cards. By submitting any item to Horizon for service, you are agreeing to Horizon's Terms and Conditions found on our website http://www.horizonhobby.com/content/service-center_render-service-center.

ATTENTION: Horizon service is limited to Product compliant in the country of use and ownership. If received, a non-compliant Product will not be serviced. Further, the sender will be responsible for arranging return shipment of the un-serviced Product, through a carrier of the sender's choice and at the sender's expense. Horizon will hold non-compliant Product for a period of 60 days from notification, after which it will be discarded.

10/15

WARRANTY AND SERVICE CONTACT INFORMATION

| Country of Purchase | Horizon Hobby | Contact Information | Address |
|--------------------------|---|--|--|
| United States of America | Horizon Service Center (Repairs and Repair Requests) | servicecenter.horizonhobby.com/ RequestForm/ | 2904 Research Road Champaign, Illinois, 61822 USA |
| | Horizon Product Support (Product Technical Assistance) | productsupport@horizonhobby.com 877-504-0233 | |
| | Sales | websales@horizonhobby.com 800-338-4639 | |
| European Union | Horizon Technischer Service Sales: Horizon Hobby GmbH | service@horizonhobby.eu +49 (0) 4121 2655 100 | Hanskampring 9 D 22885 Barsbüttel, Germany |

FCC INFORMATION

FCC ID: XNZEEX13008 This device complies with part 15 of the FCC rules. Operation is subject to the following two conditions: (1) This device may not cause harmful interference, and (2) this device must accept any interference received, including interference that may cause undesired operation.



CAUTION: Changes or modifications not expressly approved by the party responsible for compliance could void the user's authority to operate the equipment.

This product contains a radio transmitter with wireless technology which has been tested and found to be compliant with the applicable regulations governing a radio transmitter in the 2.400GHz to 2.4835GHz frequency range.

This equipment has been tested and found to comply with the limits for Part 15 of the FCC rules. These limits are designed to provide reasonable protection against harmful interference in a residential installation. This equipment generates, uses and can radiate radio frequency energy and, if not installed and used in accordance with the instructions, may cause harmful interference to radio communications.

However, there is no guarantee that interference will not occur in a particular installation. If this equipment does cause harmful interference to radio or television reception, which can be determined by turning the equipment off and on, the user is encouraged to try to correct the interference by one or more of the following measures:

- Reorient or relocate the receiving antenna.
- Increase the separation between the equipment and receiver.
- Connect the equipment to an outlet on a circuit different from that to which the receiver is connected.
- Consult the dealer or an experienced radio/TV technician for help.

IC INFORMATION

IC: 20264-ECX13008 This device complies with Industry Canada license-exempt RSS standard(s). Operation is subject to the following two conditions:

(1) this device may not cause interference, and (2) this device must accept any interference, including interference that may cause undesired operation of the device.



EU Compliance Statement: Horizon Hobby, LLC hereby declares that this product is in compliance with the essential requirements and other relevant provisions of the RED, EMC, and LVD Directives.

A copy of the EU Declaration of Conformity is available online at: <http://www.horizonhobby.com/content/support-render-compliance>.



Instructions for disposal of WEEE by users in the European Union

This product must not be disposed of with other waste. Instead, it is the user's responsibility to dispose of their waste equipment by handing it over to a designated collection point for the recycling of waste electrical and electronic equipment. The separate collection and recycling of your waste equipment at the time of disposal will help to conserve natural resources and ensure that it is recycled in a manner that protects human health and the environment. For more information about where you can drop off your waste equipment for recycling, please contact your local city office, your household waste disposal service or where you purchased the product.



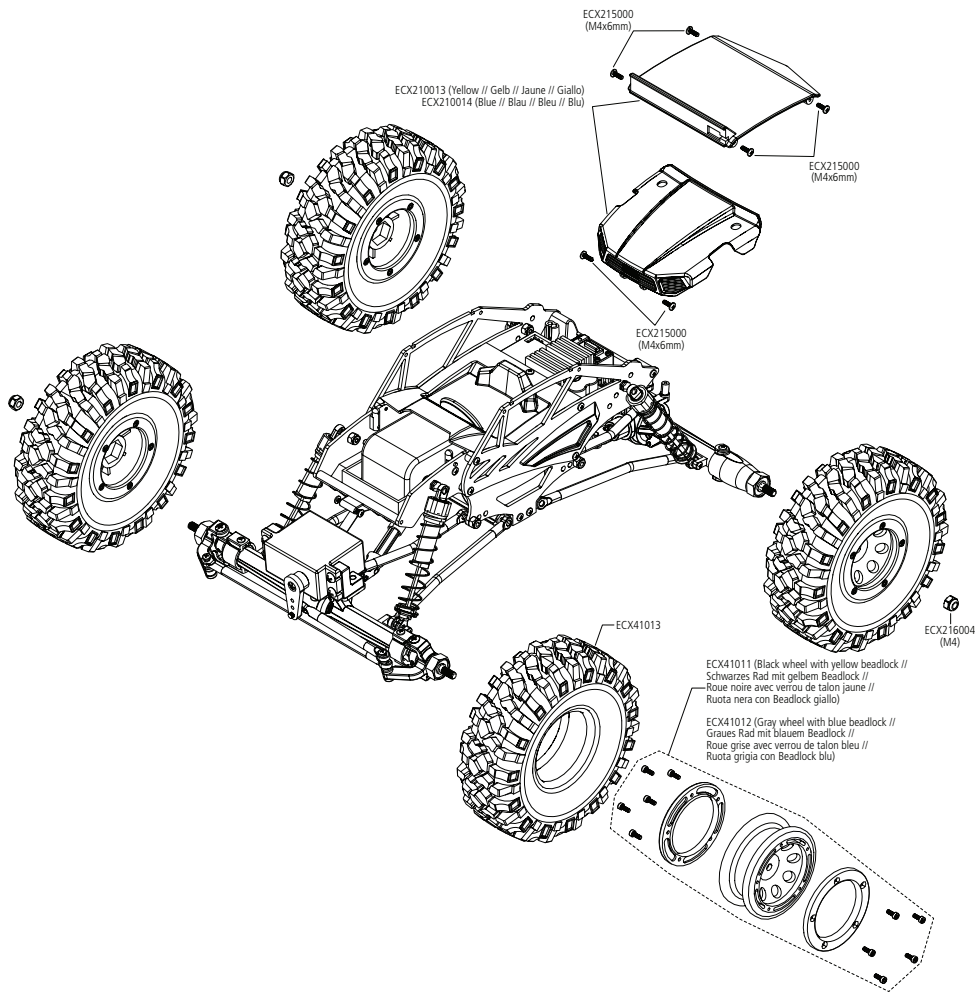
Replacement Parts / Ersatzteile / Pièces de rechange / Pezzi di ricambio

| Part # | Description | Beschreibung | Description | Descrizione |
|------------|---|---|--|--|
| DYNB0111EC | 7.2V 900mAh NiMH 6C, 3+3 w/ EC3 | 7,2V 900mAh NiMH 6C, 3+3 mit EC3 | 7,2 V 900 MAH NIMH 6 C, 3+3 AVEC EC3 | 7,2V 900 mAh NiMH 6C, 3+3 con EC3 |
| DYNS1207 | Tazer 32T 380 Brushed Motor | Tazer 32T 380 Bürstenmotor | Moteur à balais Tazer 32T 380 | Motore a spazzole Tazer 32T 380 |
| ECX11008 | Rock Crawling ESC/RX 2.4 GHz, WPV | Rock Crawling ESC/RX 2,4 GHz, WPV | Variateur ESC d'avancée sur les roches/RX 2,4 GHz, WPV | Rock Crawling ESC/RX 2,4 GHz, WPV |
| ECX11009 | LED Light Bar | LED-Leuchtbalken | Barre d'éclairage à DEL | Barra a LED |
| ECX210012 | Cnsl, Electronics Tray | Cnsl, Elektronikfach | Cnsl, Plateau électronique | Cnsl, vassoio elettronica |
| ECX210013 | Body Set, Gray/Yellow | Karoseriesatz, grau/gelb | Carrosserie, gris/jaune | Set carrozzeria, grigio/giallo |
| ECX210014 | Body Set, Gray/Blue | Karoseriesatz, grau/blau | Carrosserie, gris/bleue | Set carrozzeria, grigio/blu |
| ECX211022 | Body Post | Karosseriehalter | Supports de carrosserie | Supporti carrozzeria |
| ECX211023 | Chassis, Rear | Karosserie, hinten | Carrosserie arrière | Telaio, retro |
| ECX211024 | Chassis, Front | Karosserie, vorn | Carrosserie avant | Telaio, fronte |
| ECX211025 | 4mm Spacer | 4 mm Abstandhalter | Entretoise 4 mm | Distanziale, 4 mm |
| ECX211026 | Lower Link Set | Unteres Verbindungsglied | Ensemble de timonerie inférieure | Set leveraggi, inferiore |
| ECX211027 | Upper Link Set | Oberes Verbindungsglied | Ensemble de timonerie supérieure | Set leveraggi, superiore |
| ECX211028 | Skid Plate | Unterfahrerschutz | Plaques de protection | Piastra di protezione |
| ECX211029 | Steering Link Set | Lenkgliedset | Ensemble de timonerie de direction | Set braccetti sterzo |
| ECX211030 | Ball Mount Set | Kugelhalterungssatz | Ensemble de support de bille | Set giunto a sfera |
| ECX212009 | Spool 38T | Spool 38T | Spool 38T | Corona 38T |
| ECX212010 | Axle Pinion Gear 14T | Ritzel 14T | 1/18 4WD Temper | Pignone 14T |
| ECX212013 | Molded Driveshaft (2) | Geformte Antriebswelle (2) | Arbre de transmission moulé (2) | Albero di trasmissione stampato (2) |
| ECX212018 | Spur Gear 48P 60T (1) | Hauptzahnrad 48P 60T (1) | Couronne 48P 60T (1) | Corona 48P 60T (1) |
| ECX212020 | Transmission Outdrive | Antriebsklauen | Noix de sortie de transmission | Bicchierini trasmissione |
| ECX212022 | Rear Hub (2) | Radträger Hinten (2) | Fusée arrière (2) | Mozzo posteriore (2) |
| ECX212027 | Steering Spindle, V2 | Lenkspindel V2 | Set de fusées V2 | Fusello sterzo V2 |
| ECX212028 | Front/Rear Hub Set, V2 | Träger Set Vorne/Hinten, V2 | Set d'étriers Av/Arr, V2 | Set hub ant/post, V2 |
| ECX212029 | Transmission Gear Set | Getriebesatz | Ensemble de boîte de transmission | Set ingranaggi trasmissione |
| ECX214014 | FR/RR Shock Assembly (2) | FR/RR-Stoßdämpfermontage (2) | Ensemble d'amortisseur de choc avant/arrière (2) | Gruppo ammortizzatori FR/RR (2) |
| ECX215000 | Screw Set | Schraubensatz | Jeu de vis | Set viti |
| ECX216004 | Nylon Nut Set | Nylon-Muttern-Set | Jeu d'écrous en nylon | Set dadi nylon |
| ECX216005 | Clip, Set Screw, 3mm | Klemmen, Stellschrauben, 3 mm | Attache, jeu de vis, 3 mm | Clip, grano, 3 mm |
| ECX217002 | Bearing Set | Lagersatz | Ensemble de roulement | Set cuscinetti |
| ECX221000 | Servo mount and plate, wheel hex, and pin | Servohalterung und Platte, Sechskantrad und Stift | Support de servo et plaque, hexagone de roue et broche | Piastra e supporto servocomando, ruota esagonale e perno |
| ECX222000 | FR/RR Axle Housing 132mm | FR/RR-Achsgehäuse, 132 mm | Carter d'essieu avant/arrière, 132mm | Carcassa assale FR/RR, 132 mm |
| ECX222001 | 390 Motor Plate | 390 Motorplatte | Plaque moteur 390 | Piastra motore 390 |
| ECX222002 | FR/RR Axles | FR/RR-Achse | Essieux avant/arrière | Assali FR/RR |
| ECX222003 | Complete Transmission | Komplettes Getriebe | Transmission complète | Trasmissione completa |
| ECX41011 | Black Wheel w/ Yellow Beadlock | Schwarzes Rad mit gelbem Beadlock | Roue noire avec verrou de talon jaune | Ruota nera con Beadlock giallo |
| ECX41012 | Gray Wheel w/ Blue Beadlock | Graues Rad mit blauem Beadlock | Roue grise avec verrou de talon bleu | Ruota grigia con Beadlock blu |
| ECX41013 | Tire w/ Foam | Reifen mit Schaumstoff | Pneu avec mousse | Pneumatico con schiuma |

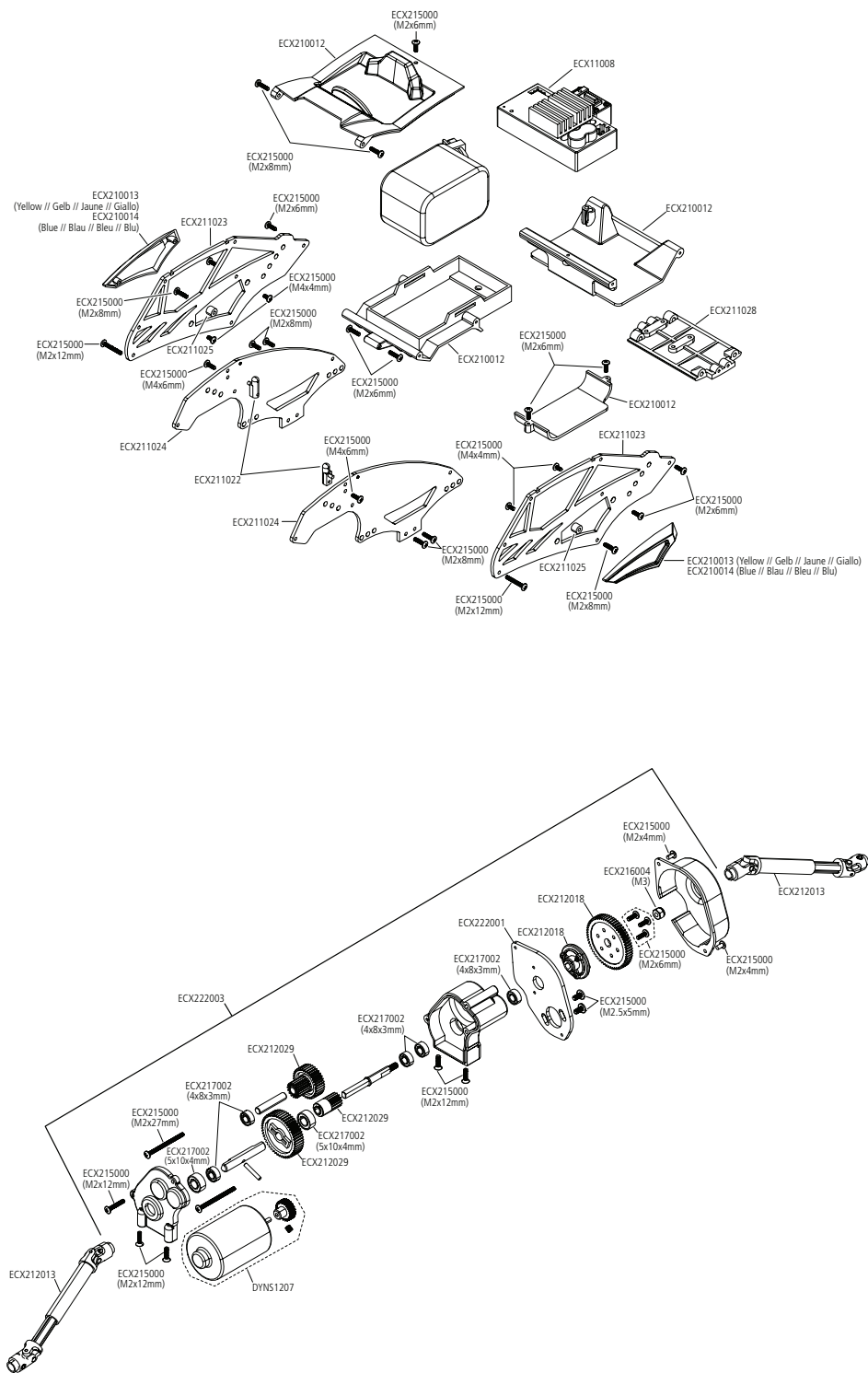
Optional Parts / Optionale Teile / Liste des options / Elenco parti opzionali

| Part # | Description | Beschreibung | Description | Descrizione |
|------------|---------------------------------------|--|--|---|
| DYNB0105EC | 7.2V 1100mAh NiMH 6C 3+3, EC3 | Flache Akkus 6C 3+3 Ni-MH 7,2V 1100mA, EC3 | Batterie plate 6C 3+3 Ni-MH 7,2V 1100mA, prise EC3 | Batteria piatta 6C 3+3 NiMH 1100 mAh 7,2 V, EC3 |
| DYNC2000CA | Prophet Sport NiMH 35W AC Charger | Prophet Sport NiMH 35W AC-Ladegerät | Chargeur Prophet Sport AC Ni-MH 35W | Caricabatteria AC Prophet Sport NiMH 35 W |
| ECX312005 | Rear Hub Carrier, Aluminum | Rädträger hinten, Aluminium | Set d'étriers arrière, aluminium | Supporto hub posteriore, allum. |
| ECX314005 | Steering Spindle, Aluminum | Lenkspindel, Aluminium | Arbre de direction, aluminium | Colonna dello sterzo, alum |
| SPMS605 | 9KG Servo, WP, Metal Center Case, 23T | 9 kg Servo, WP, zentrales Metallgehäuse, 23T | Servo 9KG, étanche, carter central en métal, 23T | Servo 9KG, WP, custodia centrale metallo, 23T |

PARTS DIAGRAM | EXPLOSIONSZEICHNUNG | VUE ÉCLATÉE DES PIÈCES | ESPLOSO DEL MODELLO CON REFERENZA PEZZI



PARTS DIAGRAM | EXPLOSIONSZEICHNUNG | VUE ÉCLATÉE DES PIÈCES | ESPLOSO DEL MODELLO CON REFERENZA PEZZI





ECX01015T1/T2
www.ecxrc.com

© 2018 Horizon Hobby, LLC. ECX, the ECX logo, Temper, Dynamite, Prophet, Tazer, EC3, and the Horizon Hobby logo are trademarks or registered trademarks of Horizon Hobby, LLC.
The Spektrum trademark is used with permission of Bachmann Industries, Inc.
Created 11/2018

59235