



ECX[®]

**INSTRUCTION MANUAL
BEDIENUNGSANLEITUNG
MANUEL D'UTILISATION
MANUALE DI ISTRUZIONI**

RUCKUS[®]

**1/10 4WD ELECTRIC
MONSTER TRUCK
ECX03242**



TORMENT[™]

**1/10 4WD ELECTRIC
SHORT COURSE TRUCK
ECX03243**

Congratulations on your purchase of the ECX[®] Torment[™] Short Course Truck or Ruckus[®] Monster Truck. These 1/10-scale models introduces you to the sport of RC driving.

Herzlichen Glückwunsch zum Kauf des ECX Torment Short Course Truck oder Ruckus Monster Truck. Diese 1/10-Skala Modelle führt Sie zum Sport des RC-Fahrens ein.

Nous vous félicitons pour l'achat de ECX Torment Short Course Truck ou Ruckus Monster Truck. Ces modèles à l'échelle 1/10 vous présenteront le sport de la conduite RC.

Congratulazioni per l'acquisto di questo Torment Short Course Truck o Ruckus Monster Truck ECX. Questa vettura in scala 1/10 vi introdurrà nel mondo dei modelli RC.



NOTICE

All instructions, warranties and other collateral documents are subject to change at the sole discretion of Horizon Hobby, LLC. For up-to-date product literature, visit <http://www.horizonhobby.com> and click on the support tab for this product.

Meaning of Special Language:

The following terms are used throughout the product literature to indicate various levels of potential harm when operating this product:

WARNING: Procedures, which if not properly followed, create the probability of property damage, collateral damage, and serious injury OR create a high probability of superficial injury.

CAUTION: Procedures, which if not properly followed, create the probability of physical property damage AND a possibility of serious injury.

NOTICE: Procedures, which if not properly followed, create a possibility of physical property damage AND little or no possibility of injury.



WARNING: Read the ENTIRE instruction manual to become familiar with the features of the product before operating. Failure to operate the product correctly can result in damage to the product, personal property and cause serious injury.

This is a sophisticated hobby product. It must be operated with caution and common sense and requires some basic mechanical ability. Failure to operate this Product in a safe and responsible manner could result in injury or damage to the product or other property. This product is not intended for use by children without direct adult supervision. Do not use with incompatible components or alter this product in any way outside of the instructions provided by Horizon Hobby, LLC. This manual contains instructions for safety, operation and maintenance. It is essential to read and follow all the instructions and warnings in the manual, prior to assembly, setup or use, in order to operate correctly and avoid damage or serious injury.

Age Recommendation: Not for children under 14 years. This is not a toy.

Operating Safety Precautions

- As the user of this product, you are solely responsible for operating in a manner that does not endanger yourself and others or result in damage to the product or property of others.
- This model is controlled by a radio signal subject to interference from many sources outside your control. This interference can cause momentary loss of control, so it is advisable to always keep a safe distance in all directions around your model as this margin will help avoid collisions or injury.
- Never operate your model with low transmitter batteries.
- Always operate your model in open spaces away from full-size vehicles, traffic and people.
- Never operate the model in the street or in populated areas for any reason.
- Carefully follow the directions and warnings for this and any optional support equipment (chargers, rechargeable battery packs, etc.) you use.
- Keep all chemicals, small parts and anything electrical out of the reach of children.
- Never lick or place any portion of the model in your mouth as it could cause serious injury or even death.
- Exercise caution when using tools and sharp instruments.
- Take care during maintenance as some parts may have sharp edges.
- Immediately after using your model, do NOT touch equipment such as the motor, electronic speed control and battery, because they generate high temperatures. You may burn yourself seriously touching them.
- Do not put fingers or any objects inside rotating and moving parts, as this may cause damage or serious injury.
- Always turn on your transmitter before you turn on the receiver in the car. Always turn off the receiver before turning your transmitter off.
- Keep the wheels of the model off the ground when checking the operation of the radio equipment.



WARNING AGAINST COUNTERFEIT PRODUCTS: Always purchase from a Horizon Hobby, LLC authorized dealer to ensure authentic high-quality Spektrum product. Horizon Hobby, LLC disclaims all support and warranty with regards, but not limited to, compatibility and performance of counterfeit products or products claiming compatibility with DSM or Spektrum.

WATER-RESISTANT VEHICLE WITH WATERPROOF ELECTRONICS

Your new Horizon Hobby vehicle has been designed and built with a combination of waterproof and water-resistant components to allow you to operate the product in many "wet conditions", including puddles, creeks, wet grass, snow and even rain.

While the entire vehicle is highly water-resistant, it is not completely waterproof and your vehicle should NOT be treated like a submarine. The various electronic components used in the vehicle, such as the Electronic Speed Control (ESC), servo(s) and receiver are waterproof, however, most of the mechanical components are water-resistant and should not be submerged.

Metal parts, including the bearings, hinge pins, screws and nuts, as well as the contacts in the electrical cables, will be susceptible to

corrosion if additional maintenance is not performed after running in wet conditions. To maximize the long-term performance of your vehicle and to keep the warranty intact, the procedures described in the "Wet Conditions Maintenance" section below must be performed regularly if you choose to run in wet conditions. If you are not willing to perform the additional care and maintenance required, then you should not operate the vehicle in those conditions.



CAUTION: Failure to exercise caution while using this product and complying with the following precautions could result in product malfunction and/or void the warranty.

General Precautions

- Read through the wet conditions maintenance procedures and make sure that you have all the tools you will need to properly maintain your vehicle.
- Not all batteries can be used in wet conditions. Consult the battery manufacturer before use. Caution should be taken when using Li-Po batteries in wet conditions.
- Most transmitters are not water-resistant. Consult your transmitter’s manual or the manufacturer before operation.
- Never operate your transmitter or vehicle where lightning may be present.
- Do not operate your vehicle where it could come in contact with salt water (ocean water or water on salt-covered roads), contaminated or polluted water. Salt water is very conductive and highly corrosive, so use caution.
- Even minimal water contact can reduce the life of your motor if it has not been certified as water-resistant or waterproof. If the motor becomes excessively wet, apply very light throttle until the water is mostly removed from the motor. Running a wet motor at high speeds may rapidly damage the motor.
- Driving in wet conditions can reduce the life of the motor. The additional resistance of operating in water causes excess strain. Alter the gear ratio by using a smaller pinion or larger spur gear. This will increase torque (and motor life) when running in mud, deeper puddles, or any wet conditions that will increase the load on the motor for an extended period of time.

Wet Conditions Maintenance

- Drain any water that has collected in the tires by spinning them at high speed. With the body removed, place the vehicle upside

down and pull full throttle for a few short bursts until the water has been removed.



CAUTION: Always keep hands, fingers, tools and any loose or hanging objects away from rotating parts when performing the above drying technique.

- Remove the battery pack(s) and dry the contacts. If you have an air compressor or a can of compressed air, blow out any water that may be inside the recessed connector housing.
- Remove the tires/wheels from the vehicle and gently rinse the mud and dirt off with a garden hose. Avoid rinsing the bearings and transmission.

NOTICE: Never use a pressure washer to clean your vehicle.

- Use an air compressor or a can of compressed air to dry the vehicle and help remove any water that may have gotten into small crevices or corners.
- Spray the bearings, drive train, fasteners and other metal parts with a water-displacing light oil or lubricant. Do not spray the motor.
- Let the vehicle air dry before you store it. Water (and oil) may continue to drip for a few hours.
- Increase the frequency of disassembly, inspection and lubrication of the following:
 - Front and rear axle hub assembly bearings.
 - All transmission cases, gears and differentials.
 - Motor—clean with an aerosol motor cleaner and re-oil the bushings with lightweight motor oil.

TABLE OF CONTENTS

Operating Safety Precautions	2	Maintenance	9
Water-Resistant Vehicle with Waterproof Electronics	2	Electronic Speed Control (ESC)	9
Specifications	3	Electrical Layout	9
Box Contents	4	Shock Cleaning	10
Vehicle Preparations	4	Shock Parts Diagram	10
Charging the Vehicle Battery	4	Ride Height Adjustment	10
Installing Transmitter Batteries	4	Fasteners	10
Transmitter Battery Safety Precautions	5	Binding	11
Removing the Vehicle Body	5	Troubleshooting Guide	11
Installing the Battery in the Vehicle	5	Limited Warranty	12
Transmitter controls	6	Contact Information	13
Getting Started	7	FCC Information	13
Installing the Vehicle Body	7	IC Information	13
Operation	8	Compliance Information for the European Union	13
When you are Finished	8	Parts Diagrams	50
Motor Care	8	Replacements Parts	52
		Optional Parts	54

SPECIFICATIONS

Transmitter	SPMSTX200
Frequency	2.4GHz
Modulation	FHSS 2.4 GHz
Battery	AA x 4
Servo	SPMS605
Power Supply	4.8V-6V
Output Torque	161 oz-in @ 6.0 V
Operating Speed	0.24 sec/60 degrees @ 6.0 V
Size	55.6 x 20.1 x 35.6mm

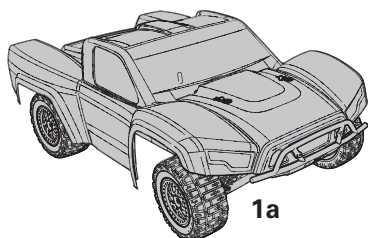
Electronic Speed Control (ESC)	DYNS2210
Input Voltage	6.0-8.4 V
Electric Capacity (FET)	Forward 40A/180A
Electric Capacity (FET)	Reverse 20A/90A
PWM Frequency	1kHz
BEC Voltage	5V/2A
Size	36 x 31.7 x 18mm
Weight	65 g

BOX CONTENTS

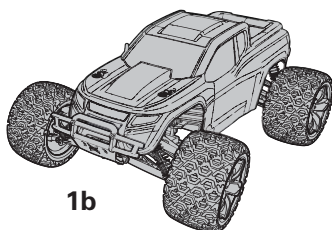
- 1a. ECX® Torment™ 1/10-scale 4WD Short Course Truck, (ECX03242) or 1b. ECX® Ruckus® 1/10-scale 4WD Monster Truck (ECX03243)
2. Spektrum™ STX2® Transmitter (SPMSTX200)
3. AA (4) Batteries

Electrical Components

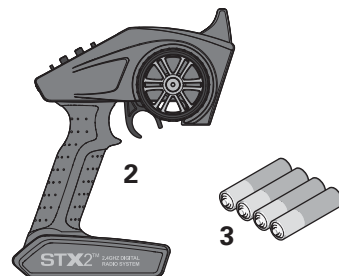
DYNS1213	Motor	Included
SPMS605	Waterproof Steering Servo	Included
SPMSRX200	Waterproof Receiver	Included
DYNS2210	Waterproof Electronic Speed Control (ESC)	Included
	Vehicle battery	Needed to complete
	Battery charger	Needed to complete



1a



1b

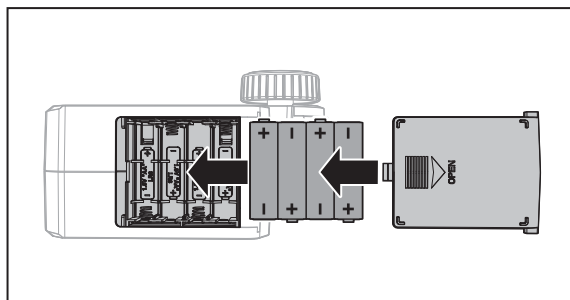


VEHICLE PREPARATIONS

CHARGING THE VEHICLE BATTERY

Refer to your battery and charger manual for proper charging instructions.

INSTALLING TRANSMITTER BATTERIES



1. Slide the panel open on the bottom of the transmitter.
2. Obey the battery plus (+) and minus (-) diagram in the transmitter to install 4 AA batteries.
3. Slide the panel closed.

We recommend using only alkaline AA batteries in the transmitter.

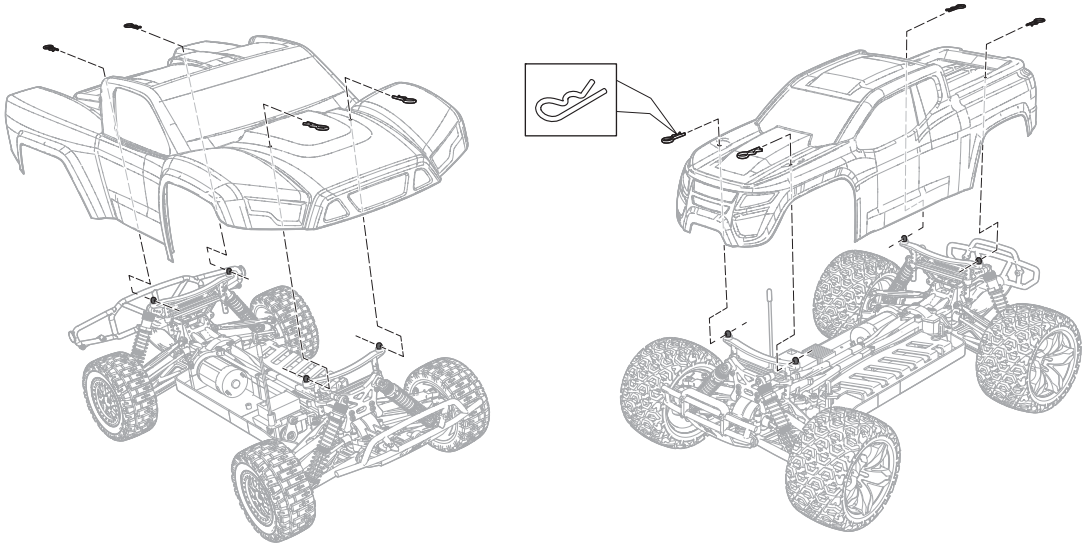


CAUTION: If using rechargeable batteries, charge only rechargeable batteries. Charging non-rechargeable batteries may cause the batteries to burst, resulting in injury to persons and/or damage to property.

TRANSMITTER BATTERY SAFETY PRECAUTIONS

- Never install damaged batteries.
- Never install batteries of mixed types or of different ages in the transmitter.
- Always remove exhausted batteries.
- Always remove batteries before storing the transmitter.
- Low battery power can result in loss of control of the RC vehicle.

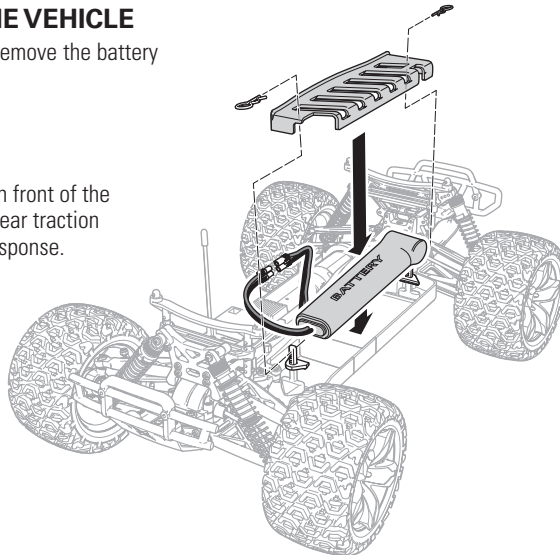
REMOVING THE VEHICLE BODY



INSTALLING THE BATTERY IN THE VEHICLE

1. Remove the front and rear body clips, then remove the battery strap.
2. Install a fully charged battery.
3. Install the battery strap.
4. Install the front and rear body clips.

If desired, you can put foam blocks (ECX1053) in front of the battery so the weight of the battery increases rear traction or in back of the battery to increase steering response.



TRANSMITTER CONTROLS

TH TRIM



Adjusts the neutral point of the electronic speed control.

TH RATE



Adjusts the end point of the throttle.

BATTERY LEVEL INDICATORS

● Solid Red: Battery voltage is good (above 4V).

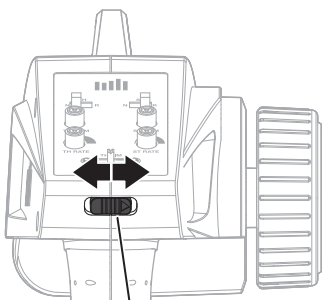


Flashing Red: Battery voltage is critically low (below 4V). Replace batteries.

TH LIMIT



Limits throttle output to 50/75/100%.



POWER SWITCH

Power on or off the transmitter.

SERVO REVERSE SWITCHES

Allows you to change the direction of steering (ST. REV) and throttle (TH. REV) controls (default settings are "N" for steering and "N" for throttle).

ST TRIM



Adjust to make the vehicle drive straight with no input at the steering wheel.

ST RATE



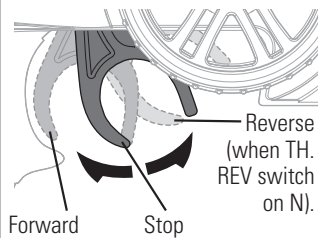
Adjusts the amount the front wheels move when the steering wheel is turned left or right.

STEERING WHEEL



Control steering. Right and Left steering with ST. REV Switch on N (see ST. REV switch).

THROTTLE TRIGGER



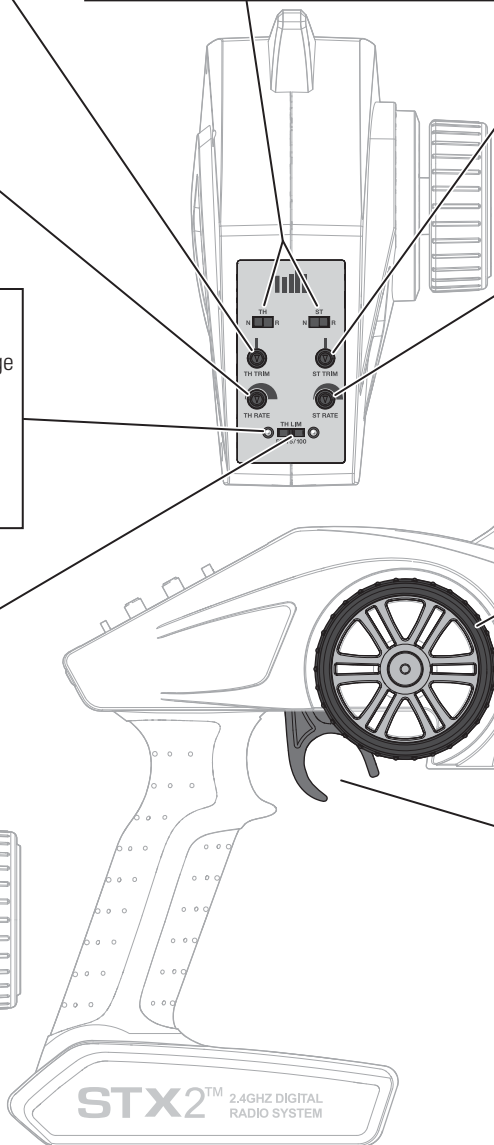
Forward

Stop

Reverse (when TH. REV switch on N).

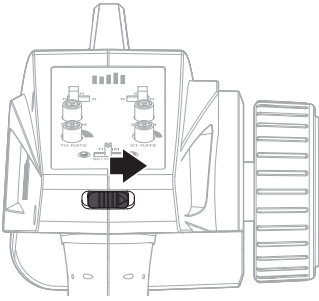
Forward (when TH. REV switch on N).

Controls power to motor for forward or reverse (see TH. REV switch).

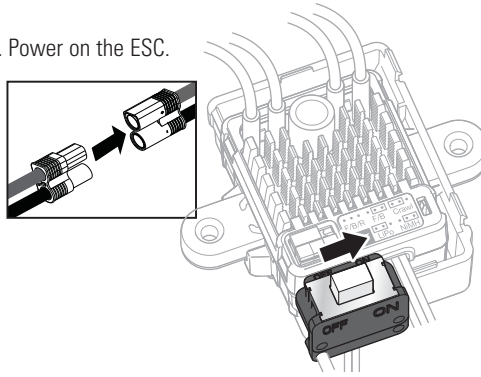


GETTING STARTED

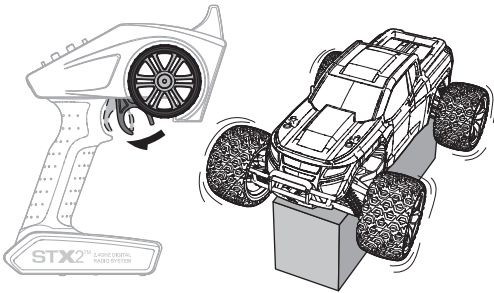
1. Power on the transmitter.



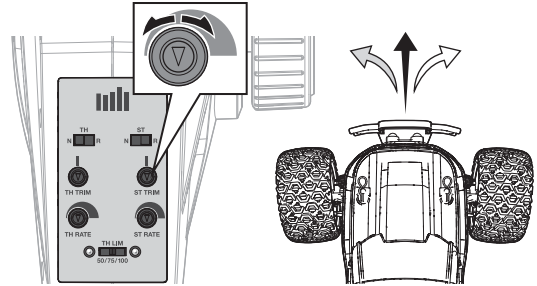
2. Power on the ESC.



3. Do a test of the transmitter's control of the vehicle with the vehicle's wheels off the ground.

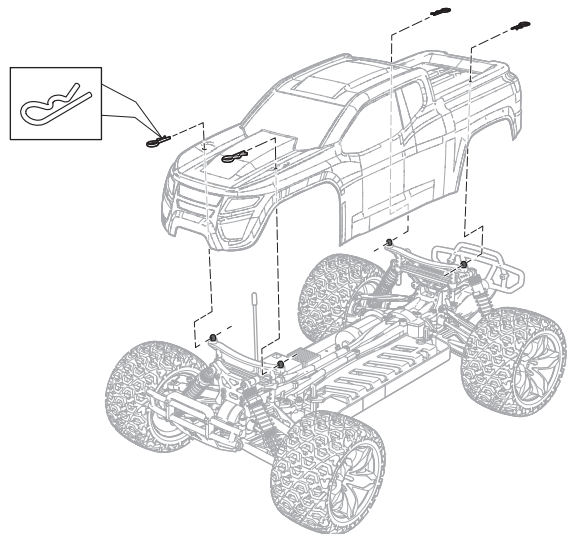
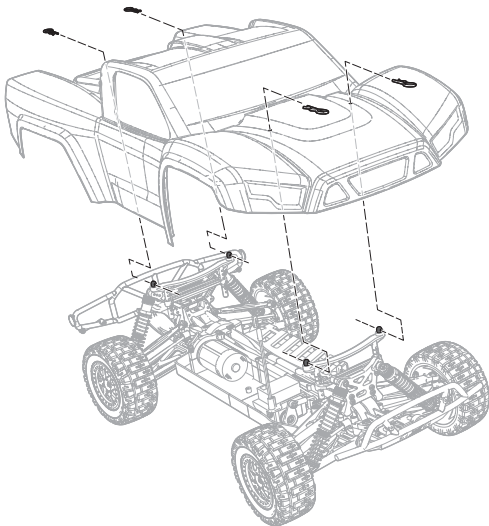


4. Start driving slowly, and, if the vehicle does not go straight, adjust the steering trim dial on the transmitter.



IMPORTANT: Seat the motor brushes by driving smoothly on a flat surface during use of the first battery charge. Properly seating the motor brushes will increase the life and performance of the motor.

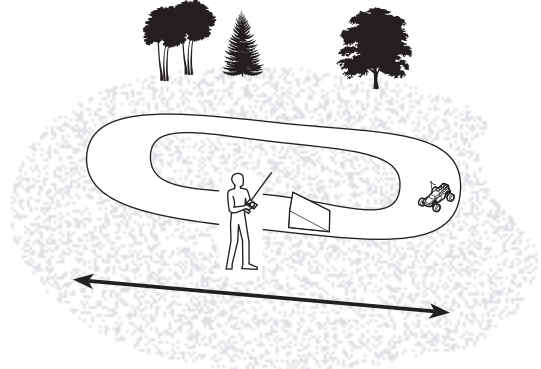
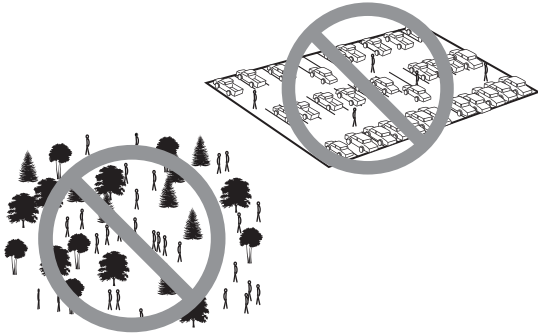
INSTALLING THE VEHICLE BODY



OPERATION

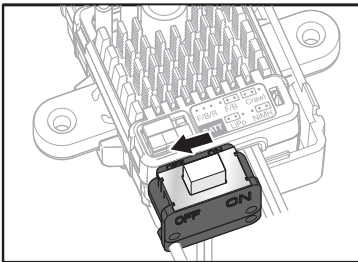
- ALWAYS turn on your transmitter before you turn on the receiver in the vehicle. Always power off the receiver before turning your transmitter off.

- ALWAYS operate your vehicle in a wide open area. Operating the vehicle in a small space or indoors can cause overheating at low speeds. Operating at low speed increases heat in the electronic speed control (ESC). Overheating can damage the vehicle and failure may result.

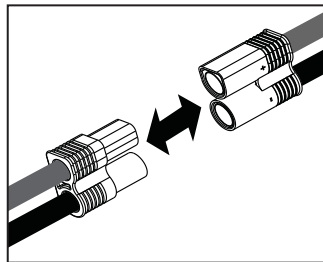


WHEN YOU ARE FINISHED

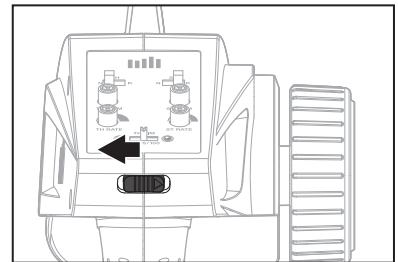
1. Power off the Electronic Speed Control (ESC).



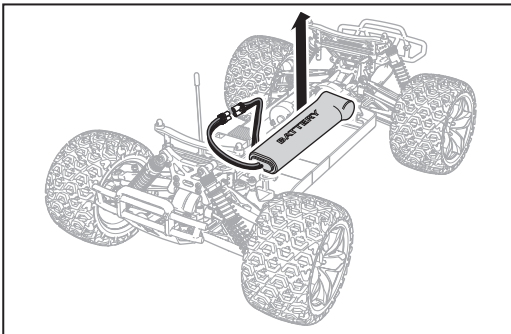
2. Disconnect the battery.



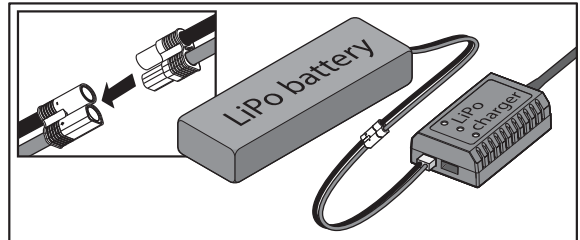
3. Power off the transmitter.



4. Remove the battery from the vehicle.



5. Recharge the battery to its recommended safe storage levels. Refer to the battery manual for more information.



MOTOR CARE

- Seat the motor brushes by driving smoothly on a flat surface during use of the first battery charge. **Failing to do so can greatly reduce motor performance and functional life.**
- Prolong motor life by preventing overheating conditions. Undue motor wear results from frequent turns, stops and

starts, pushing objects, driving in water and tall grass, and driving continuously up hill.

- Over-temperature protection is installed on the ESC to prevent circuit damage, but cannot protect the motor from driving against heavy resistance.

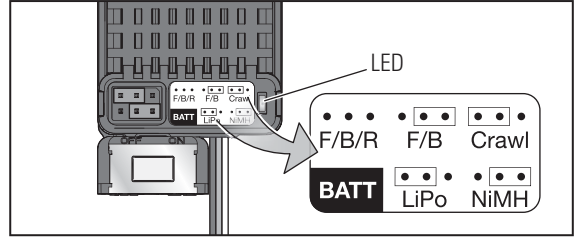
MAINTENANCE

ELECTRONIC SPEED CONTROL (ESC)

Programming: The ESC comes with two jumpers pre-installed in the REV: ON and BATT: Ni-MH configurations.

To disable reverse or change battery type to Li-Po, disconnect the jumper from the default port and connect it to the desired port. Power off the ESC, then power it back on.

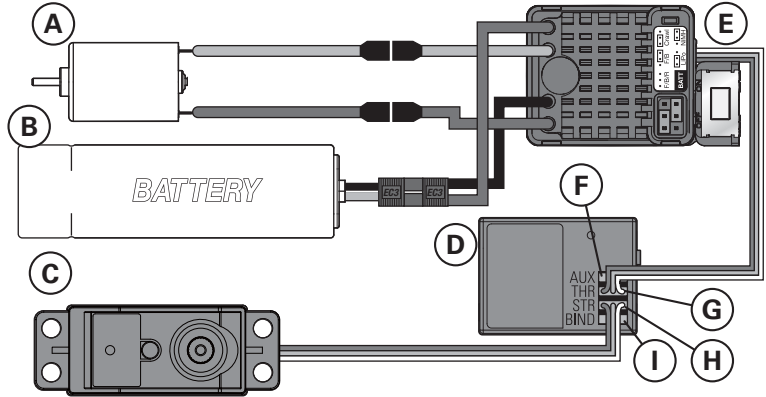
If the jumpers are lost or not installed, the ESC will default to REV: ON and BATT: Li-Po.



Operation	LED Status	Sound at Power UP
Stop	OFF	
Forward	Blinks	
Forward (full speed)	Solid	
Reverse	Blinks	
Brake	Blinks	
Brake (full brake)	Solid	
Ni-MH/Ni-Cd Battery		1 Short Beep
2S Li-Po Battery		2 Short Beeps
ESC Ready		1 Long Beep
Battery Low Voltage	Blinks	
Overheat	Blinks	

ELECTRICAL LAYOUT

	Part #	Description
A	DYNS1213	Motor
B		Battery
C	SPMS605	Waterproof Steering Servo
D	SPMSRX200	Waterproof Receiver
E	DYNS2210	Waterproof Electronic Speed Control (ESC)
F		Auxillary channel
G		Throttle channel
H		Steering channel
I		Bind port



For correct operation, Throttle and Steering channels must be used as shown in the wiring diagram. The motor can be disconnected from the ESC at the connectors in the wiring.

SHOCK CLEANING

Oil-filled shocks will require regular maintenance due to the oil breaking down or getting dirty. This maintenance should be performed after about every 3 to 5 hours of use, depending on the conditions that the vehicle is used in.

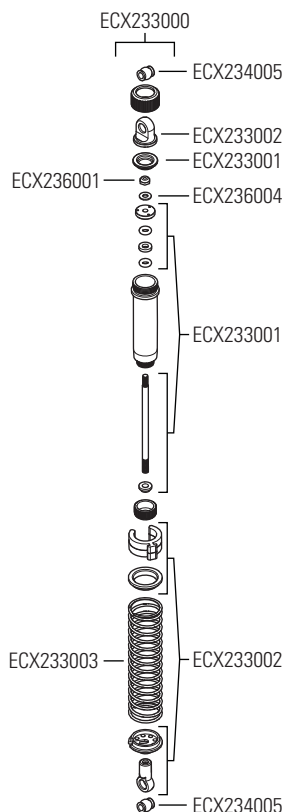
- Remove the shock from the vehicle.
- Remove the cap from the shock body and dispose of fluid.
- Disassemble the shock. Clean thoroughly with DYN5505. Dry parts before assembly.
- Re-assemble the shock and refill the shock body with silicone fluid (30 weight recommended).
- Slowly move the shaft and piston up and down to remove air bubbles.
- Move the piston to the midway point of the body and install the cap.
- Wipe off any overflowing fluid.
- When properly filled, the piston should rebound about 3/8 in (9.5mm) after being pushed in fully.
- Re-install the shock on the vehicle.

Ride Height Adjustment

Ride height is an adjustment that affects the way the vehicle jumps, turns and goes over bumps. Drop one end of the vehicle from approximately 6 inches (152 mm) in height onto a flat surface. When dropping the front of the vehicle, after the vehicle settles, make sure the front arms are equal and parallel to the flat surface. Do the same with the rear to make sure both arms are parallel with the flat surface.

Lowering the front ride height increases steering, but decreases traction. Lowering the rear ride height increases traction, but decreases steering.

SHOCK PARTS DIAGRAM



Part #	Description	Part #	Description
ECX233000	Shock, Complete, (2): 4wd	ECX234005	Link Set, Plastic: 1:10 4wd All
ECX233001	Shock Rebuild, (2): 4wd	ECX236001	Lock Nut, M2.5, (5)
ECX233002	Top, Bottom Shock Ends: 4wd	ECX236004	Special Hardware: 1:10 4wd All
ECX233003	Shock Spring, Black, Set: 4wd		

FASTENERS

Description	Description	Description	Description
Tapping Binder Head, M2.5x4mm	Tapping Binder Head, M3x22mm	Binder Head, M3x16mm	Setscrew, M3x3mm
Tapping Binder Head, M3x8mm	Tapping Binder Head, M3x25mm	Binder Head, M3x18mm	Setscrew, M4x3mm
Tapping Binder Head, M3x10mm	Tapping Flat Head, M2.5x10mm	Binder Head, M3x20mm	Washer, 6.2x10.8x0.2mm
Tapping Binder Head, M3x12mm	Tapping Flat Head, M3x10mm	Binder Head, M3x22mm	Washer, 3x8x1mm
Tapping Binder Head, M3x14mm	Tapping Flat Head, M3x15mm	Flat Head, M3x8mm	Washer, 2.6x6 x0.5mm
Tapping Binder Head, M3x16mm	Binder Head, M3x10mm	Flat Head, M3x10mm	Flanged Lock Nut, M4
Tapping Binder Head, M3x18mm	Binder Head, M3x12mm	Flat Head, M4x18mm	Lock Nut M3
Tapping Binder Head, M3x20mm	Binder Head, M3x14mm		Lock Nut M2.5

BINDING

Binding is the process of programming the receiver to recognize the GUID (Globally Unique Identifier) code of a single specific transmitter. The STX2® and SRX200 receiver are bound at the factory. If you need to rebind, follow the instructions below.

1. Insert the Bind Plug in the BIND port on the receiver.
2. Connect a fully charged battery pack to the ESC.
3. Power on the ESC. The red LED flashes, indicating the receiver is in bind mode.
4. Center the ST TRIM and TH TRIM dials on the transmitter.
5. Turn the steering wheel to Full Right. Power the transmitter on while holding the steering wheel to the Right.
6. Release the steering wheel when the receiver LED stops flashing.
7. Remove the Bind Plug, then power off the receiver to save the settings.
8. Power off the transmitter.
9. Remove the bind plug and store it in a convenient place.

You must rebind when:

- Different failsafe positions are desired e.g., when throttle or steering reversing has been changed.
- Binding the receiver to a different transmitter.

FAILSAFE

In the unlikely event that the radio link is lost during use, the receiver will drive the servos to their preprogrammed failsafe positions (normally full brakes and straight steering). If the receiver is turned on prior to turning on the transmitter, the receiver will enter failsafe mode, driving the servos to their preset failsafe positions. When the transmitter is turned on, normal control is resumed. Failsafe servo positions are set during binding (see binding a receiver above).

TROUBLESHOOTING GUIDE

Problem	Possible Cause	Solution
Short Run Time	<ul style="list-style-type: none"> • Battery damaged/not charged • Motor dirty or brushes worn 	<ul style="list-style-type: none"> • Check/change battery • Check/clean/replace
Sluggish Action	<ul style="list-style-type: none"> • Motor dirty or brushes worn • Bind in drivetrain • Vehicle battery is not charged 	<ul style="list-style-type: none"> • Check/clean/replace • Clean/adjust • Replace/recharge
Controls Reversed	<ul style="list-style-type: none"> • ST. REV or TH. REV 	<ul style="list-style-type: none"> • Change switch position
Motor/ESC overheat	<ul style="list-style-type: none"> • Over-gearred for the driving environment 	<ul style="list-style-type: none"> • Install smaller pinion
Doesn't Operate	<ul style="list-style-type: none"> • Transmitter batteries low • Transmitter powered off • ESC powered off • Vehicle battery is not charged 	<ul style="list-style-type: none"> • Replace/recharge • Power On • Power On • Replace/recharge
Poor Range	<ul style="list-style-type: none"> • Transmitter batteries low • Receiver antenna damaged 	<ul style="list-style-type: none"> • Replace/recharge • Check/repair/replace
The system will not connect	<ul style="list-style-type: none"> • Transmitter and receiver too near each other • Transmitter and receiver too near large metal objects (vehicles, etc.) • Receiver accidentally put in bind mode so receiver is no longer bound 	<ul style="list-style-type: none"> • Move transmitter 8–12 feet (2.4–3.6m) from receiver • Move away from large metal objects (vehicles, etc.) • Rebind transmitter and receiver
The receiver goes into failsafe mode a short distance away from the transmitter	<ul style="list-style-type: none"> • Check the receiver antenna to be sure it is not cut or damaged 	<ul style="list-style-type: none"> • Contact Horizon Product Support • Make sure receiver antenna is in an antenna tube and is above vehicle
The receiver quits responding during operation	<ul style="list-style-type: none"> • Low battery voltage • Loose or damaged wires or connectors between battery and receiver 	<ul style="list-style-type: none"> • Completely recharge battery • Do a check of the wires and connection between battery and receiver. Repair or replace wires and/or connectors
Receiver loses its bind	<ul style="list-style-type: none"> • Transmitter accidentally put in bind mode, ending bind to receiver 	<ul style="list-style-type: none"> • Bind transmitter to receiver

LIMITED WARRANTY

What this Warranty Covers – Horizon Hobby, LLC, (Horizon) warrants to the original purchaser that the product purchased (the "Product") will be free from defects in materials and workmanship at the date of purchase.

What is Not Covered – This warranty is not transferable and does not cover (i) cosmetic damage, (ii) damage due to acts of God, accident, misuse, abuse, negligence, commercial use, or due to improper use, installation, operation or maintenance, (iii) modification of or to any part of the Product, (iv) attempted service by anyone other than a Horizon Hobby authorized service center, (v) Product not purchased from an authorized Horizon dealer, or (vi) Product not compliant with applicable technical regulations, or (vii) use that violates any applicable laws, rules, or regulations. OTHER THAN THE EXPRESS WARRANTY ABOVE, HORIZON MAKES NO OTHER WARRANTY OR REPRESENTATION, AND HEREBY DISCLAIMS ANY AND ALL IMPLIED WARRANTIES, INCLUDING, WITHOUT LIMITATION, THE IMPLIED WARRANTIES OF NON-INFRINGEMENT, MERCHANTABILITY AND FITNESS FOR A PARTICULAR PURPOSE. THE PURCHASER ACKNOWLEDGES THAT THEY ALONE HAVE DETERMINED THAT THE PRODUCT WILL SUITABLY MEET THE REQUIREMENTS OF THE PURCHASER'S INTENDED USE.

Purchaser's Remedy – Horizon's sole obligation and purchaser's sole and exclusive remedy shall be that Horizon will, at its option, either (i) service, or (ii) replace, any Product determined by Horizon to be defective. Horizon reserves the right to inspect any and all Product(s) involved in a warranty claim. Service or replacement decisions are at the sole discretion of Horizon. Proof of purchase is required for all warranty claims. SERVICE OR REPLACEMENT AS PROVIDED UNDER THIS WARRANTY IS THE PURCHASER'S SOLE AND EXCLUSIVE REMEDY.

Limitation of Liability – HORIZON SHALL NOT BE LIABLE FOR SPECIAL, INDIRECT, INCIDENTAL OR CONSEQUENTIAL DAMAGES, LOSS OF PROFITS OR PRODUCTION OR COMMERCIAL LOSS IN ANY WAY, REGARDLESS OF WHETHER SUCH CLAIM IS BASED IN CONTRACT, WARRANTY, TORT, NEGLIGENCE, STRICT LIABILITY OR ANY OTHER THEORY OF LIABILITY, EVEN IF HORIZON HAS BEEN ADVISED OF THE POSSIBILITY OF SUCH DAMAGES. Further, in no event shall the liability of Horizon exceed the individual price of the Product on which liability is asserted. As Horizon has no control over use, setup, final assembly, modification or misuse, no liability shall be assumed nor accepted for any resulting damage or injury. By the act of use, setup or assembly, the user accepts all resulting liability. If you as the purchaser or user are not prepared to accept the liability associated with the use of the Product, purchaser is advised to return the Product immediately in new and unused condition to the place of purchase.

Law – These terms are governed by Illinois law (without regard to conflict of law principals). This warranty gives you specific legal rights, and you may also have other rights which vary from state to state. Horizon reserves the right to change or modify this warranty at any time without notice.

WARRANTY SERVICES

Questions, Assistance, and Services – Your local hobby store and/or place of purchase cannot provide warranty support or service. Once assembly, setup or use of the Product has been started, you must contact your local distributor or Horizon directly. This will enable Horizon to better answer your questions and service you in the event that you may need any assistance. For questions or assistance, please visit our website at www.horizonhobby.com, submit a Product Support Inquiry, or call the toll free telephone number referenced in the Warranty and Service

Contact Information section to speak with a Product Support representative.

Inspection or Services – If this Product needs to be inspected or serviced and is compliant in the country you live and use the Product in, please use the Horizon Online Service Request submission process found on our website or call Horizon to obtain a Return Merchandise Authorization (RMA) number. Pack the Product securely using a shipping carton. Please note that original boxes may be included, but are not designed to withstand the rigors of shipping without additional protection. Ship via a carrier that provides tracking and insurance for lost or damaged parcels, as Horizon is not responsible for merchandise until it arrives and is accepted at our facility. An Online Service Request is available at http://www.horizonhobby.com/content/_service-center_render-service-center. If you do not have internet access, please contact Horizon Product Support to obtain a RMA number along with instructions for submitting your product for service. When calling Horizon, you will be asked to provide your complete name, street address, email address and phone number where you can be reached during business hours. When sending product into Horizon, please include your RMA number, a list of the included items, and a brief summary of the problem. A copy of your original sales receipt must be included for warranty consideration. Be sure your name, address, and RMA number are clearly written on the outside of the shipping carton.

NOTICE: Do not ship LiPo batteries to Horizon. If you have any issue with a LiPo battery, please contact the appropriate Horizon Product Support office.

Warranty Requirements – For Warranty consideration, you must include your original sales receipt verifying the proof-of-purchase date. Provided warranty conditions have been met, your Product will be serviced or replaced free of charge. Service or replacement decisions are at the sole discretion of Horizon.

Non-Warranty Service – Should your service not be covered by warranty, service will be completed and payment will be required without notification or estimate of the expense unless the expense exceeds 50% of the retail purchase cost. By submitting the item for service you are agreeing to payment of the service without notification. Service estimates are available upon request. You must include this request with your item submitted for service. Non-warranty service estimates will be billed a minimum of ½ hour of labor. In addition you will be billed for return freight. Horizon accepts money orders and cashier's checks, as well as Visa, MasterCard, American Express, and Discover cards. By submitting any item to Horizon for service, you are agreeing to Horizon's Terms and Conditions found on our website http://www.horizonhobby.com/content/service-center_render-service-center.

ATTENTION: Horizon service is limited to Product compliant in the country of use and ownership. If received, a non-compliant Product will not be serviced. Further, the sender will be responsible for arranging return shipment of the un-serviced Product, through a carrier of the sender's choice and at the sender's expense. Horizon will hold non-compliant Product for a period of 60 days from notification, after which it will be discarded.

10/2015

CONTACT INFORMATION

Country of Purchase	Horizon Hobby	Contact Information	Address
United States of America	Horizon Service Center (Repairs and Repair Requests)	servicecenter.horizonhobby.com/ RequestForm/	4105 Fieldstone Rd Champaign, Illinois, 61822 USA
	Horizon Product Support (Product Technical Assistance)	productsupport@horizonhobby.com 877-504-0233	
	Sales	websales@horizonhobby.com 800-338-4639	
European Union	Horizon Technischer Service Sales: Horizon Hobby GmbH	service@horizonhobby.eu +49 (0) 4121 2655 100	Hanskampring 9 D 22885 Barsbüttel, Germany

FCC INFORMATION

FCC ID: 2A13D-SS0001

This equipment has been tested and found to comply with the limits for a Class B digital device, pursuant to part 15 of the FCC Rules. These limits are designed to provide reasonable protection against harmful interference in a residential installation. This equipment generates, uses and can radiate radio frequency energy and, if not installed and used in accordance with the instructions, may cause harmful interference to radio communications.

However, there is no guarantee that interference will not occur in a particular installation. If this equipment does cause harmful interference to radio or television reception, which can be determined by turning the equipment off and on, the user is encouraged to try to correct the interference by one or more of the following measures:

- Reorient or relocate the receiving antenna.
- Increase the separation between the equipment and receiver.
- Connect the equipment to an outlet on a circuit different from that to which the receiver is connected.
- Consult the dealer or an experienced radio/TV technician for help.

This device complies with part 15 of the FCC rules. Operation is subject to the following two conditions: (1) This device may not cause harmful interference, and (2) this device must accept any interference received, including interference that may cause undesired operation.

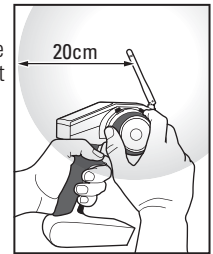
NOTICE: Modifications to this product will void the user's authority to operate this equipment.

This product contains a radio transmitter with wireless technology which has been tested and found to be compliant with the applicable regulations governing a radio transmitter in the 2.400GHz to 2.4835GHz frequency range.

Antenna Separation Distance

When operating your transmitter, please be sure to maintain a separation distance of at least 20 cm between your body (excluding fingers, hands, wrists, ankles and feet) and the antenna to meet RF exposure safety requirements as determined by FCC regulations.

This illustration shows the approximate 20 cm RF exposure area and typical hand placement when operating your transmitter.



IC INFORMATION

IC: 21682-SSTC9202

This device complies with Industry Canada license-exempt RSS standard(s). Operation is subject to the following two conditions:

(1) this device may not cause interference, and (2) this device must accept any interference, including interference that may cause undesired operation of the device.

COMPLIANCE INFORMATION FOR THE EUROPEAN UNION

CE EU Compliance Statement:

Horizon Hobby, LLC hereby declares that this product is in compliance with the essential requirements and other relevant provisions of the RED and EMC Directives. A copy of the EU Declaration of Conformity is available online at:

<http://www.horizonhobby.com/content/support-render-compliance>.



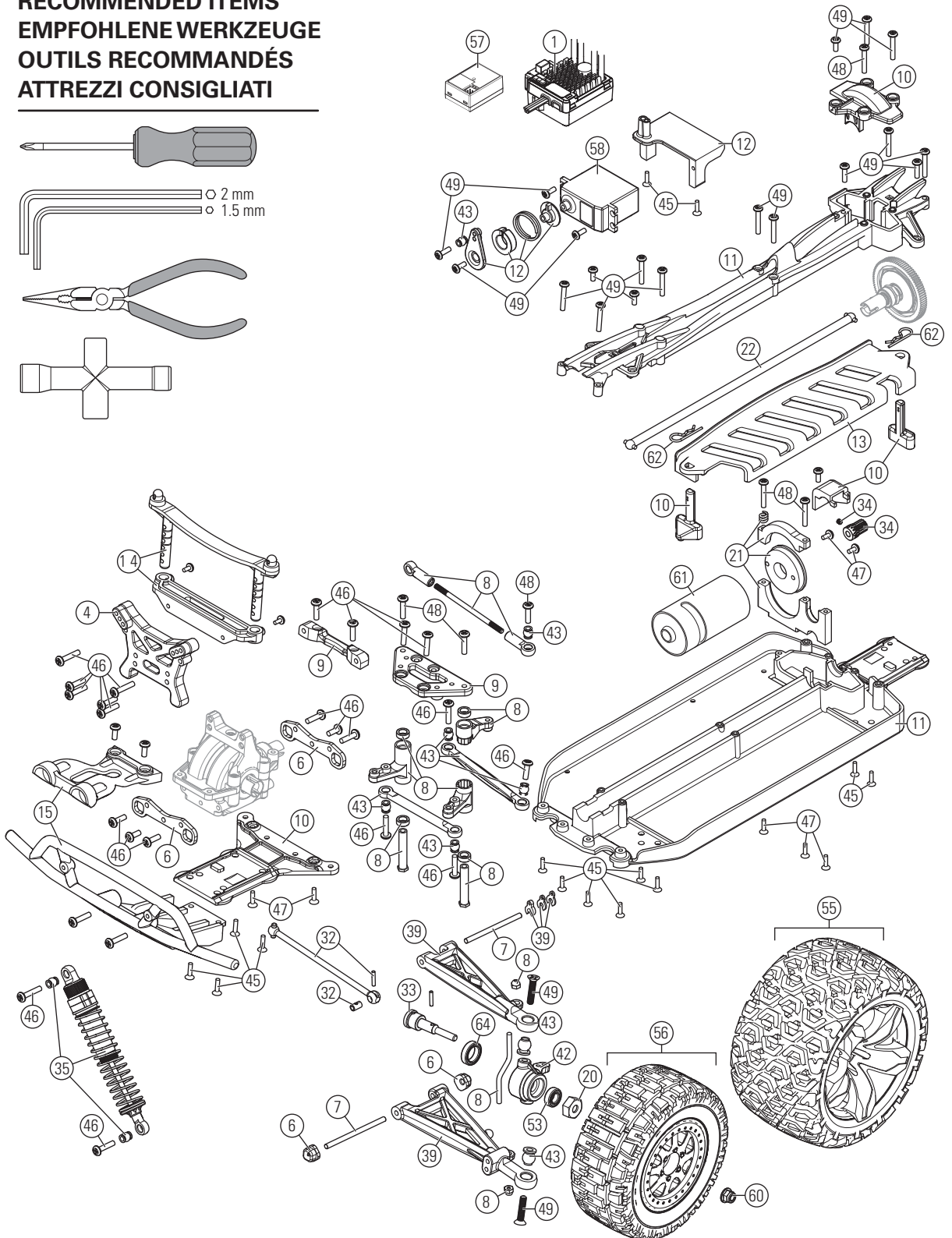
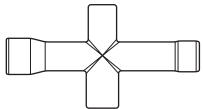
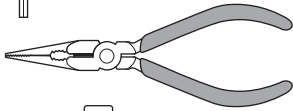
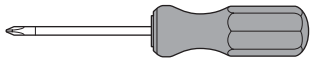
Instructions for disposal of WEEE by users in the European Union

This product must not be disposed of with other waste. Instead, it is the user's responsibility to dispose of their waste equipment by handing it over to a designated collection point for the recycling of waste electrical and electronic equipment. The separate collection and recycling of your waste equipment at the time of disposal will help to conserve natural resources and ensure that it is recycled in a manner that protects human health and the environment. For more information about where you can drop off your waste equipment for recycling, please contact your local city office, your household waste disposal service or where you purchased the product.

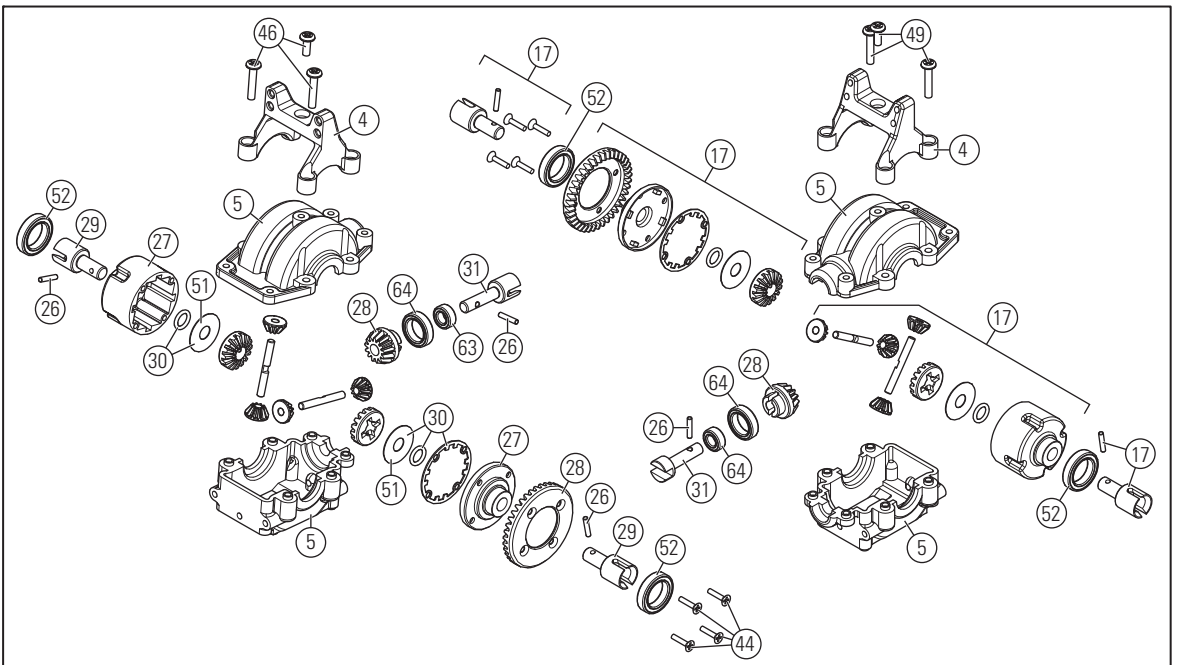
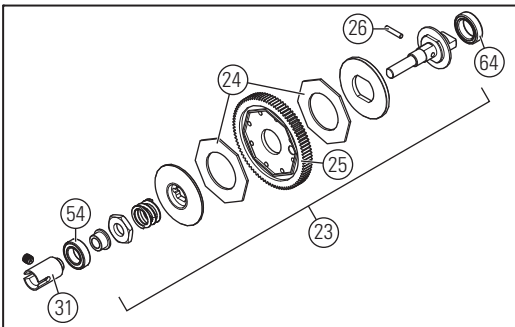
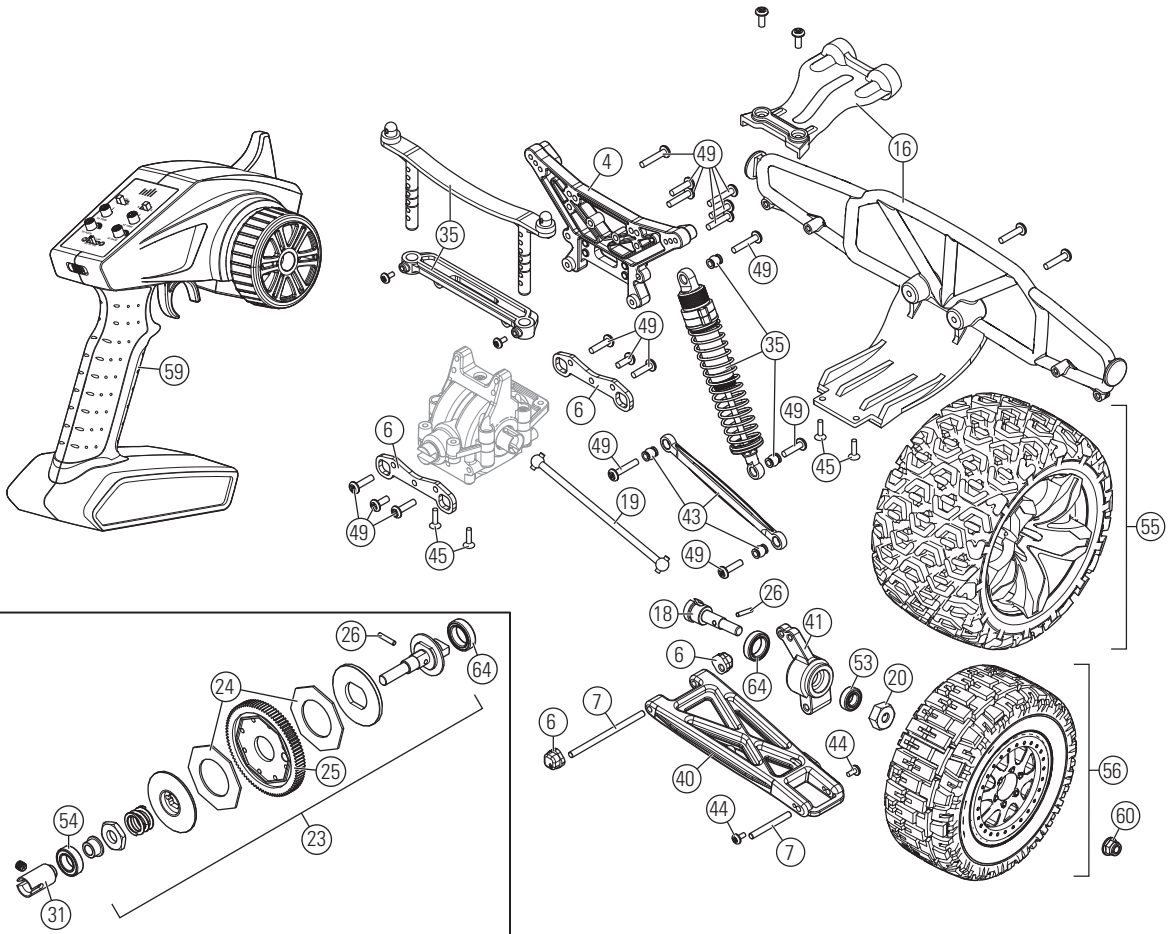


**PARTS DIAGRAM | EXPLOSIONSZEICHNUNG | VUE ÉCLATÉE DES PIÈCES |
ESPLOSO DEL MODELLO CON REFERENZA PEZZI**

**RECOMMENDED ITEMS
EMPFOHLENE WERKZEUGE
OUTILS RECOMMANDÉS
ATTREZZI CONSIGLIATI**



**PARTS DIAGRAM | EXPLOSIONSZEICHNUNG | VUE ÉCLATÉE DES PIÈCES |
ESPLOSO DEL MODELLO CON REFERENZA PEZZI**



Replacement Parts / Ersatzteile / Pièces de rechange / Pezzi di ricambio

	Part # Nummer Numéro Codice	Description	Beschreibung	Description	Descrizione
1	DYNS2210	Waterproof 60A FWD/REV Brushed ESC	Wasserdichter 60 A Vorwärts/ Rückwärts gebürsteter Geschwindigkeitsregler	Variateur ESC à balais AV/AR étanche 60 A	60A FWD/REV Brushed ESC, impermeabile
2a	ECX230032	Body, Orange/Blue: Torment: 1/10 4wd	Karosserie, orange/blau: Torment: 1/10 4WD	Carrosserie, orange/bleue : Torment : 1/10 4rm	Carrozzeria, arancione/blu: Torment: 1/10 4WD
2b	ECX230034	Body, White/Green: Torment: 1/10 4wd	Karosserie, weiß/grün: Torment: 1/10 4WD	Carrosserie, blanche/verte : Torment : 1/10 4rm	Carrozzeria, bianca/verde: Torment: 1/10 4WD
3a	ECX230033	Body, White/Orange: Ruckus: 1/10 2wd and 4wd	Karosserie, weiß/orange: Ruckus: 1/10 2WD und 4WD	Carrosserie, blanche/orange : Ruckus : 1/10 2rm et 4rm	Carrozzeria, bianca/arancione: Ruckus: 1/10 2WD e 4WD
3b	ECX230035	Body, Green/Blue: Ruckus: 1/10 2wd and 4wd	Karosserie, grün/blau: Ruckus: 1/10 2WD und 4WD	Carrosserie, verte/bleue : Ruckus : 1/10 2rm et 4rm	Carrozzeria, verde/blu: Ruckus: 1/10 2WD e 4WD
4	ECX231004	Front/Rear Shock Tower Set: 1:10 4wd All	ECX Dämpferbrücke v/h 1:10 alle 4WD	Supports d'amortisseurs avant et arrière	Set torre ammort. anter. e poster. 1:10 4wd tutti
5	ECX231005	Front/Rear Differential Gearbox Set: 1:10 4wd All	ECX Differentialgehäuseset 1:10 alle 4WD	Carter de différentiel avant/ arrière	Set ingranaggi differenziale anter. / poster. 1:10 4wd tutti
6	ECX231006	Front/Rear Toe Plates w/ Inserts: 1:10 4wd All	ECX Spureinsätze v/h 1:10 alle 4WD	Cales de pincement avant/ arrière avec inserts	Piastre c/inserti convergenza anter./poster. 1:10 4wd tutti
7	ECX231007	Hinge Pin Set: 1:10 4wd All	ECX Querlenkerstifthalter 1:10 alle 4WD	Set d'axes de suspension	Set perno cerniera 1:10 4wd tutti
8	ECX231008	Bell-Crank Set w/Post and Bushing: 1:10 4wd All	ECX Lenkhebelset m. Halter u. Lager 1:10 alle 4WD	Biellettes et renvois de direction	Set squadrette con appoggi e boccole 1:10 4wd tutti
9	ECX231009	Hinge Pin & Steering Brace: 1:10 4wd All	ECX Querlenkerstift Halter 1:10 alle 4WD	Renfort avant et support de pivot de triangle sup	Perno cerniera e supporti sterzo 1:10 4wd tutti
10	ECX231010	Gear Cover/Kick Plate/Bttry Mnts: 1:10 4wd All	ECX Getriebeabdeckung / Kick Platte/ Akkuhalter 1:10 alle 4WD	Couvercle de couronne/Cale de chasse/Plots de support de batterie	Coperchi ingran/piastra rinvio/ supp. batteria 1:10 4wd tutti
11	ECX231011	Chassis & Upper Deck, Long (1): 1:10 4wd Torment, Ruckus	ECX Chassis u. oberes Deck lang (1) 1:10 4WD Torment, Ruckus	Châssis long avec platine supérieure (1)	Telaio e piattaforma superiore, lungo (1): 1:10 4wd Torment, Ruckus
12	ECX231013	Servo Saver, 23T/25T	ECX Servo Saver, 23/ 25T	Sauve servo, 23T/25T	Salva servo 23T/25T
13	ECX231015	Long Battery Strap: 1:10 4wd Torment, Ruckus	ECX Akkuverschluss lang 1:10 alle 4WD	Support de batterie long	Fascetta lunga batteria 1:10 4wd tutti
14	ECX231016	Body Post & Mounts: 1:10 4wd All	ECX Karosserieträger und Halter 1:10 alle 4WD	Supports de carrosserie	Appoggi e supporti batteria 1:10 4wd tutti
15	ECX231018	Front Bumper Set: 1:10 4wd Torment	ECX Stoßfänger vorne 1:10 4WD Torment	Pare-choc avant	Set paraurti anteriore: 1:10 4wd Torment
16	ECX231019	Rear Bumper Set: 1:10 4wd Torment	ECX Stoßfänger hinten 1:10 4WD Torment	Pare-choc arrière	Set paraurti posteriore: 1:10 4wd Torment
17	ECX232010	Differential, Complete: 1:10 4wd All	ECX Differential kpl. 1:10 alle 4WD	Différentiel complet	Differenziale completo 1:10 4wd tutti
18	ECX232011	Rear Stub Axle (2): 1:10 4wd All	ECX Hinterachse (2) 1:10 alle 4WD	Axe de roues arrière (2)	Snodo fuso posteriore (2): 1:10 4wd tutti
19	ECX232012	Rear Dog Bone (2): 1:10 4wd All	ECX Antriebsknochen hinten (2) 1:10 alle 4WD	Tige de cardan arrière (2)	Semiassie snodato posteriore (2): 1:10 4wd tutti
20	ECX232013	Wheel Hex Set, (4): 1:10 4wd All	ECX Radmuttern (4) 1:10 alle 4WD	Hexagone de roue (4)	Set esagoni ruota (4): 1:10 4wd tutti
21	ECX232014	Motor Plate, Aluminum Set: 1:10 4wd All	ECX Motorplatte Aluminium Set 1:10 alle 4WD	Support moteur en aluminium	Set piastra motore, alluminio 1:10 4wd tutti
22	ECX232015	Main Driveshaft, Long (1): 1:10 4wd Torment, Ruckus	Lange Antriebswelle (1): 1: 1 4wd Torment, Ruckus	Torment 1/10 4wd, Ruckus 1/10 4wd - Cardan central long (1)	Albero di trasmissione principale, lungo (1): 1:10 4wd Torment, Ruckus
23	ECX232017	Slipper, Complete: 1:10 4wd All	ECX Rutschkupplung kpl 1:10 4WD Cir	Slipper complet	Slipper completo 1:10 4wd tutti
24	ECX232018	Slipper Pad: 1:10 4wd All	ECX Rutschkupplung Belag 1:10 alle 4WD	Garniture de slipper	Pattini slipper 1:10 4wd tutti
25	ECX232019	Spur Gear, 45T, Mod 1 (2): 1:10 4wd All	ECX Zahnrad 87 Zähne (1) alle 4WD	Couronne 45T, mod 1 (2)	Corona 45T, Mod 1 (2): 1:10 4wd tutti
26	ECX232020	Drivetrain Roller Pin Set, (11): 1:10 4wd All	ECX Drivetrain Roller Pin Set, (11): 1:10 4wd All	Set de goupilles cylindriques (11)	Set perni rulli trasmissione (11): 1:10 4wd tutti
27	ECX232021	Differential Case, Complete : 1:10 4wd All	ECX Differential Gehäuse kpl. 1:10 alle 4WD	Corps de différentiel	Scatola differenziale completa 1:10 4wd tutti
28	ECX232022	Ring & Pinion, Set: 1:10 4wd All	ECX Tellerrad u. Ritzel 1:10 alle 4WD	Couronne de diff et pignon conique	Set anelli e pignoni 1:10 4wd tutti
29	ECX232023	Differential Outdrives, (2): 1:10 4wd All	ECX Differential Abtriebe (2) 1:10 alle 4WD	Noix de sortie de différentiel (2)	Trascinatori differenziale (2): 1:10 4wd tutti

	Part # Nummer Numéro Codice	Description	Beschreibung	Description	Descrizione
30	ECX232024	Differential Rebuild, (2): 1:10 4wd All	ECX Diff. Rep-Set 1:10 alle 4WD	Kit de joints de différentiel	Differenziale rigenerato (2): 1:10 4wd tutti
31	ECX232025	Center Drive, Out Drives: 1:10 4wd All	ECX Antriebswelle Mitte 1:10 alle 4WD	Noix de cardan central (2)	Trasmissione centrale e semiassi 1:10 4wd tutti
32	ECX232026	Front, Driveshafts, Set (2): 1:10 4wd All	ECX CVD Set: 1:10 4WD alle (2)	Cardan avant (2)	Set trasmissione anteriore (2): 1:10 4wd tutti
33	ECX232027	Driveshaft Rebuild, (2): 1:10 4wd All	ECX Reparaturset Antriebswelle: (2) 1:10 alle WD	Kit de réparation de cardan avant (2)	Albero di trasmissione rigenerato (2): 1:10 4wd tutti
34	ECX232028	Pinion Gear, 9T/12T x 3mm, Mod 1	ECX Ritzel 9T/12T x 3mm, Mod 1	Pignon 9T/12T x 3mm, mod 1	Pignone 9T/12T x 3mm, Mod 1
35	ECX233000	Shock, Complete, (2): 1:10 4wd All	ECX Stoßdämpfer kpl. (2) 1:10 alle 4WD	Amortisseur complet (2)	Ammortizzatore completo (2): 1:10 4wd tutti
36	ECX233001	Shock Rebuild	Stoßdämpfer-Umbau	Reconstruction d'amortisseurs	Ammortizzatore rigenerato
37	ECX233002	Top/Btm Shock Ends	Oben/Unten Stoßdämpferenden	Extrémités d'amortisseurs haut/bas	Terminali ammortizzatore sup/ inf
38	ECX233003	Shock Spring, Blk, Set (4)	Stoßdämpfer, schwz, Satz (4)	Ressort d'amortisseur, Vrac, Jeu (4)	Set molle ammortizzatori, nero (4)
39	ECX234001	Front Suspension Arm Set: 1:10 4wd All	ECX Querlenkerarme vorne Set (2) 1:10 alle 4WD	Set de triangles avant	Set bracci sospensioni anter. 1:10 4wd tutti
40	ECX234002	Rear Suspension Arm Set: 1:10 4wd All	ECX Querlenkerarme hinten Set (2) 1:10 alle 4WD	Set de triangles arrière	Set bracci sospensioni poster. 1:10 4wd tutti
41	ECX234003	Rear Hub Set: 1:10 4wd All	ECX Radträger hinten Set (2) 1:10 alle 4WD	Fusée arrière (2)	Set mozzi poster. 1:10 4wd tutti
42	ECX234004	Front Steering Hub Set: 1:10 4wd All	ECX Rad / Lenkträger Set vorne (2) 1:10 alle 4 WD	Fusée avant (2)	Set mozzo sterzo anter. 1:10 4wd tutti
43	ECX234005	Link Set, Plastic: 1:10 4wd All	ECX Anlenkungen Kunststoff Set (6) 1:10 alle 4 WD	Set de biellettes plastique avec rotules	Set collegamento, plastica 1:10 4wd tutti
44	ECX235001	Screw, M2.5, M2 (20)	ECX Schrauben M2,5, M2 (20)	Vis M2 et M2.5 (20)	Vite M2.5, M2 (20)
45	ECX235002	Screw, M3, Flat Head, Self-Tapping (25)	ECX M3 Schrauben Flachkopf (25)	Vis auto-taraudeuse à tête fraisée M3 (25)	Vite M3, Testa piatta, autofilettante (25)
46	ECX235003	Screw, M3, Self-Tapping (35)	ECX M3 Schrauben Flachkopf selbstschneidend (25)	Vis auto-taraudeuse M3 (35)	Vite M3, Autofilettante (35)
47	ECX235004	Screw, M3, Flat Head, (10)	ECX M3 Schrauben (10)	Vis à tête fraisée M3 (10)	Vite M3, Testa piatta (10)
48	ECX235005	Screw, M3, Binder Head (45)	ECX M3 Schrauben (45)	vis à tête bombée M3 (45)	Vite, M3, Testa vincolante (45)
49	ECX235006	Screw, M4, Flat Head, (5)	ECX M4 Schrauben Flachkopf (5)	Vis à tête fraisée M4 (5)	Vite M4, Testa piatta (5)
50	ECX236001	Lock Nut, M2.5	Sicherungsmutter, M2.5	Écrou de blocage, M2,5	Dado di bloccaggio, M2.5
51	ECX236004	Special Hardware: 1:10 4wd All	ECX Spezialzubehör 1:10 alle 4WD	Accessoires spéciaux	Viteria speciale 1:10 4wd tutti
52	ECX237000	Ball Bearing, 12x18xT4mm, (4)	ECX Kugellager, 12x18xT4mm, (4)	Roulements 12x18x4mm (4)	Cuscinetto a sfere 12x18xT4mm, (4)
53	ECX237001	Ball Bearing, 6x12xT4mm, (4)	ECX Kugellager, 6x12xT4mm, (4)	Roulements 6x12x4mm (4)	Cuscinetto a sfere 6x12xT4mm, (4)
54	ECX237002	Ball Bearing, 8x14xT4mm, (4)	ECX Kugellager, 8x12xT4mm, (4)	Roulements 8x14x4mm (4)	Cuscinetto a sfere 8x14xT4mm, (4)
55	ECX43013	FR/R Tire, Permanent, Black wheel (2): 1:10 2wd/4wd Ruckus	Vorder-/Hinterreifen, fest, schwarzes Rad (2): 1:10 2WD/4WD Ruckus	Pneu Av/Arr, Permanent, Roue noire (2) : 1:10 2rm/4rm Ruckus	Pneumatico ant/post, fisso, ruota nera (2): Ruckus 2WD/4WD, scala 1:10
56	ECX43014	FR/R Tire, Permanent, Black wheel (2): 1:10 2wd/4wd Torment	Vorder-/Hinterreifen, fest, schwarzes Rad (2): 1:10 2WD/4WD Torment	Pneu Av/Arr, Permanent, Roue noire (2) : 1:10 2rm/4rm Torment	Pneumatico ant/post, fisso, ruota nera (2): Torment 2WD/4WD, scala 1:10
57	SPMS605	9KG Servo, WP, Metal Cent. Case 23T	9 kg Servo, WP, zentr. Metallgehäuse 23T	Servo 9KG, WP, Métal Boîtier 23T	Servo 9KG, WP, custodia cent. in metallo 23T
58	SPMSRX200	SRX200 2Ch 2.4 GHz FHSS Receiver	SRX200 2 Kanal 2,4 GHz FHSS-Empfänger	Récepteur FHSS 2,4 GHz 2 canaux SRX200	Ricevitore SRX200 a 2 canali 2,4 GHz FHSS
59	SPMSTX200	STX2 2Ch 2.4 GHz FHSS Radio System	STX2 2 Kanal 2,4 GHz FHSS- Funksystem	Système radio FHSS STX2 2 canaux de 2,4 GHz	Sistema radio FHSS STX2 a 2 canali 2,4 GHz
60	ECX1060	M4 Locknut, Flanged (4)	M4 Stopmutter (4): Circuit	Ecrou auto-freiné épaulé M4 (4)	M4 dado autobloccante flagiato (4)
61	DYNS1213	Brushed Motor	Bürstenmotor	Moteur à balais	Motore a spazzole
62	ECX1048	Body Clips (8)	Karosserie Clips (8): Circuit	Clips de carrosserie (8)	Clips carrozzeria (8)
63	ECX1015	5x10x4mm Ball Bearing (8)	Radlager Set: Circuit	Roulements 5x10x4mm (8)	5x10x4mm Cuscinetto a sfere (8)
64	ECX1055	10x15x4mm Ball Bearing (2)	Kugellager 10x15x4 (2): Circuit	Roulements 10x15x4mm (2)	10x15x4mm Cuscinetto a sfere (2)

Optional Parts / Optionale Bauteile / Pièces optionnelles / Pezzi opzionali

Part # Nummer Numéro Codice	Description	Beschreibung	Description	Descrizione
DYN2950	8-in-1 Hex Wrench Kit	8-In-1 Sechskantschraubenschlüsselsatz	Kit de clés hexagonales 8-en-1	Kit chiave esagonale 8 in 1
DYN4401	GPS Speed Meter	GPS-Tachometer	Indicateur de vitesse GPS	Tachimetro GPS
DYNC2000CA	Prophet Sport NiMH 35W AC Charger	Prophet Sport NiMH 35 W Wechselstrom-Ladegerät	Chargeur CA NiMH 35 W Prophet Sport	Caricabatterie Prophet Sport NiMH 35W AC
DYNT0500	Startup Tool Set: ECX/VTR/HPI	Anfänger-Werkzeugsatz: ECX/ VTR/HPI	Jeu d'outils de démarrage : ECX/VTR/HPI	Set utensili per avvio: ECX/ VTR/HPI
ECX331002	Front Shock Tower, Aluminum: All ECX 1/10 4WD	Vordere Stoßdämpferbrücke, Aluminium: Alle ECX 1/10 4WD	Tour d'amortisseur avant, Aluminium : Tous ECX 1/10 4RM	Torre ammortizzatore anteriore, alluminio: All ECX 1/10 4WD
ECX331005	Servo Arm, Aluminum, 23T Spline, 1/10: 2WD, 4WD All	Servoarm, Aluminium, 23T Spline, 1/10: Alle 2WD, 4WD	Bras de servo, Aluminium, Cannelure 23T, 1/10 : 2RM, 4RM Tous	Braccio servo, alluminio, 23T scanalato, 1/10: 2WD, 4WD All
ECX331006	Servo Arm, Aluminum, 24T Spline, 1/10: 2WD, 4WD All	Servoarm, Aluminium, 24T Spline, 1/10: Alle 2WD, 4WD	Bras de servo, Aluminium, Cannelure 24T, 1/10 : 2RM, 4RM Tous	Braccio servo, alluminio, 24T scanalato, 1/10: 2WD, 4WD All
ECX331007	Servo Arm, Aluminum, 25T Spline, 1/10: 2WD, 4WD All	Servoarm, Aluminium, 25T Spline, 1/10: Alle 2WD, 4WD	Bras de servo, Aluminium, Cannelure 25T, 1/10 : 2RM, 4RM Tous	Braccio servo, alluminio, 25T scanalato, 1/10: 2WD, 4WD All
ECX331009	Steering Servo Saver, Aluminum: 1/10 4WD ALL	Steuerservo-Saver, Aluminium: ALLE 1/10 4WD	Économiseur de servo de direction, Aluminium : 1/10 4RM TOUS	Salvaservo sterzo, alluminio: 1/10 4WD ALL
ECX332002	Wheel Hex Set, Aluminum: All ECX 1/10 4WD	Sechskantradsatz, Aluminium: Alle ECX 1/10 4WD	Jeu d'écrous hexagonaux pour roues, Aluminium : Tous ECX 1/10 4RM	Set trascinatori esagonali, alluminio: All ECX 1/10 4WD
ECX333002	Front/Rear Aluminum Shocks, Complete (2): All ECX 1/10 4WD	Vordere/hintere Aluminium- Stoßdämpfer, komplett (2): Alle ECX 1/10 4WD	Amortisseurs avant/arrière en aluminium, Complets (2) : Tous ECX 1/10 4RM	Ammortizzatori ant/post in alluminio, completi (2): All ECX 1/10 4WD
ECX334004	Steering Block, Aluminum: All ECX 1/10 4WD	Steuerblock, Aluminium: Alle ECX 1/10 4WD	Bloc de direction, Aluminium : Tous ECX 1/10 4RM	Bloccasterzo, alluminio: All ECX 1/10 4WD



ECX03242, ECX03243

www.ecxrc.com

© 2018 Horizon Hobby, LLC. ECX, the ECX logo, Torment, Ruckus, STX2, and the Horizon Hobby logo are trademarks or registered trademarks of Horizon Hobby, LLC.

The Spektrum trademark is used with permission of Bachmann Industries, Inc.

Created 1/2018

55077