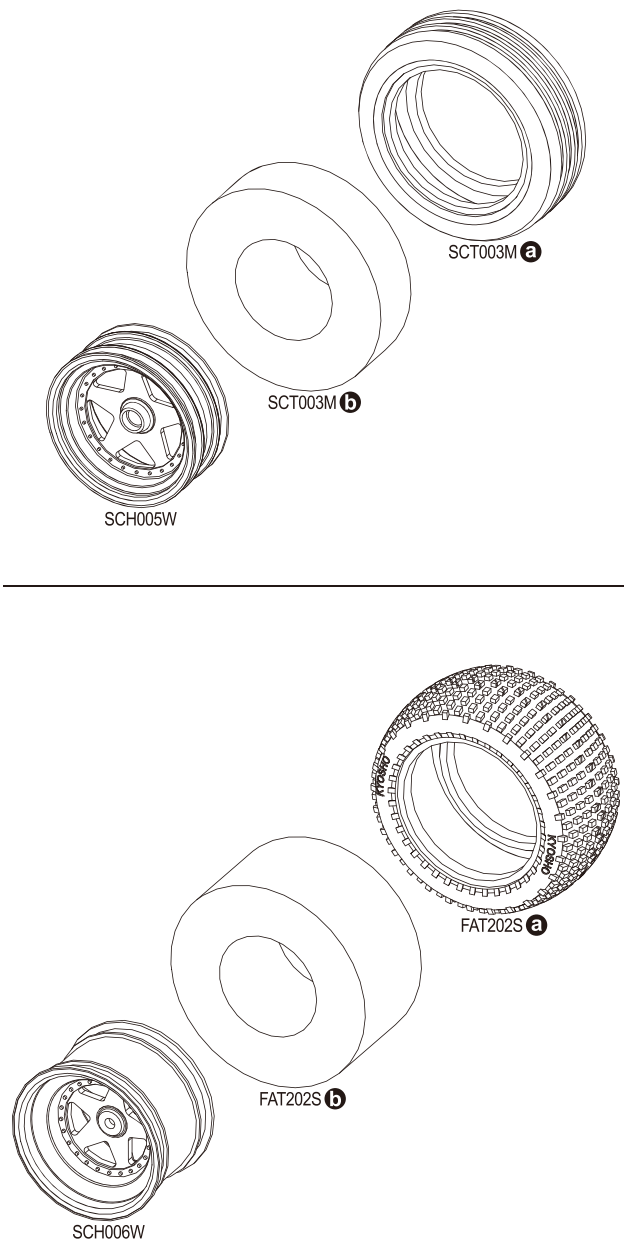
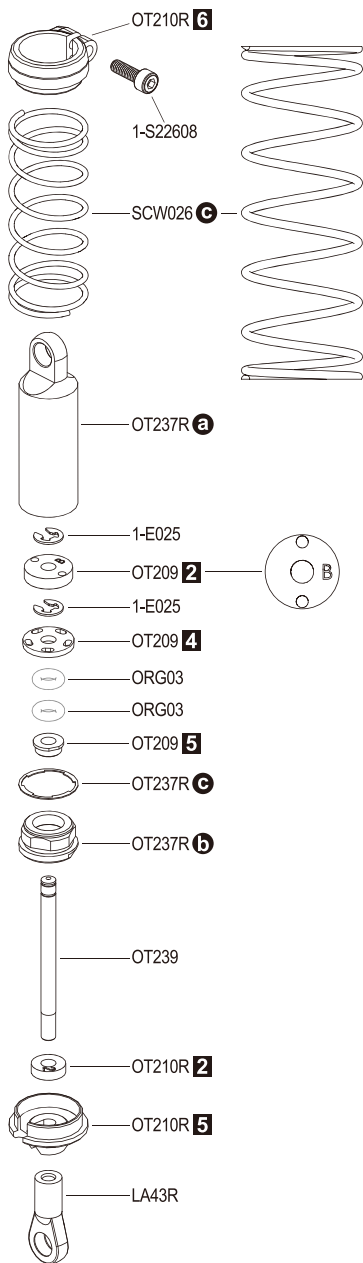


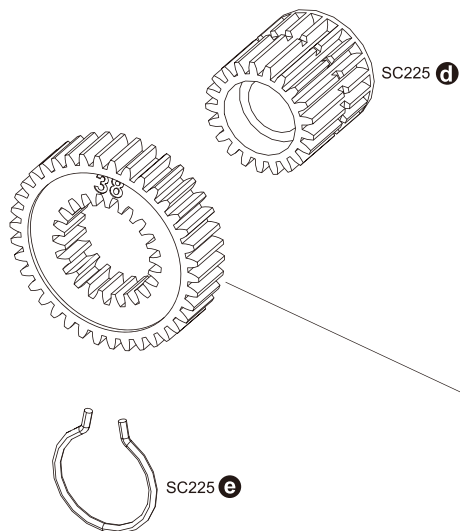
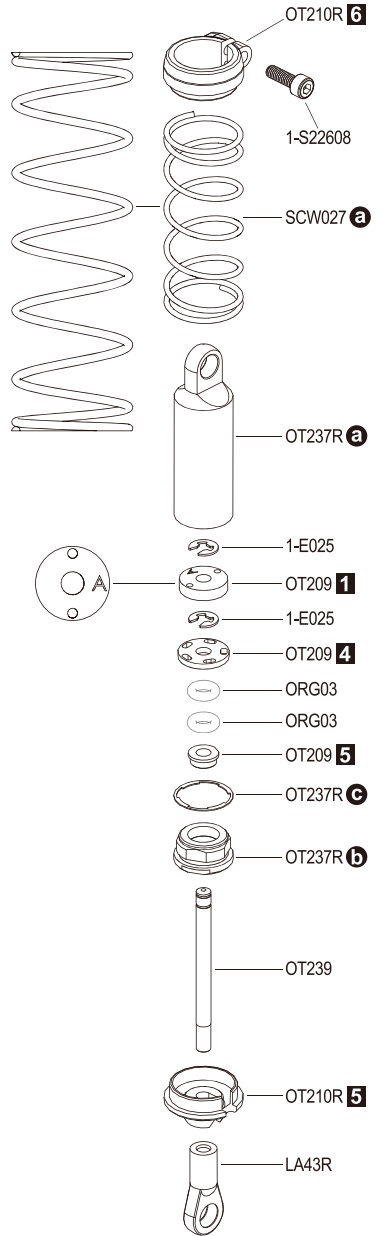
分解图 / EXPLODED VIEW



Front SC262



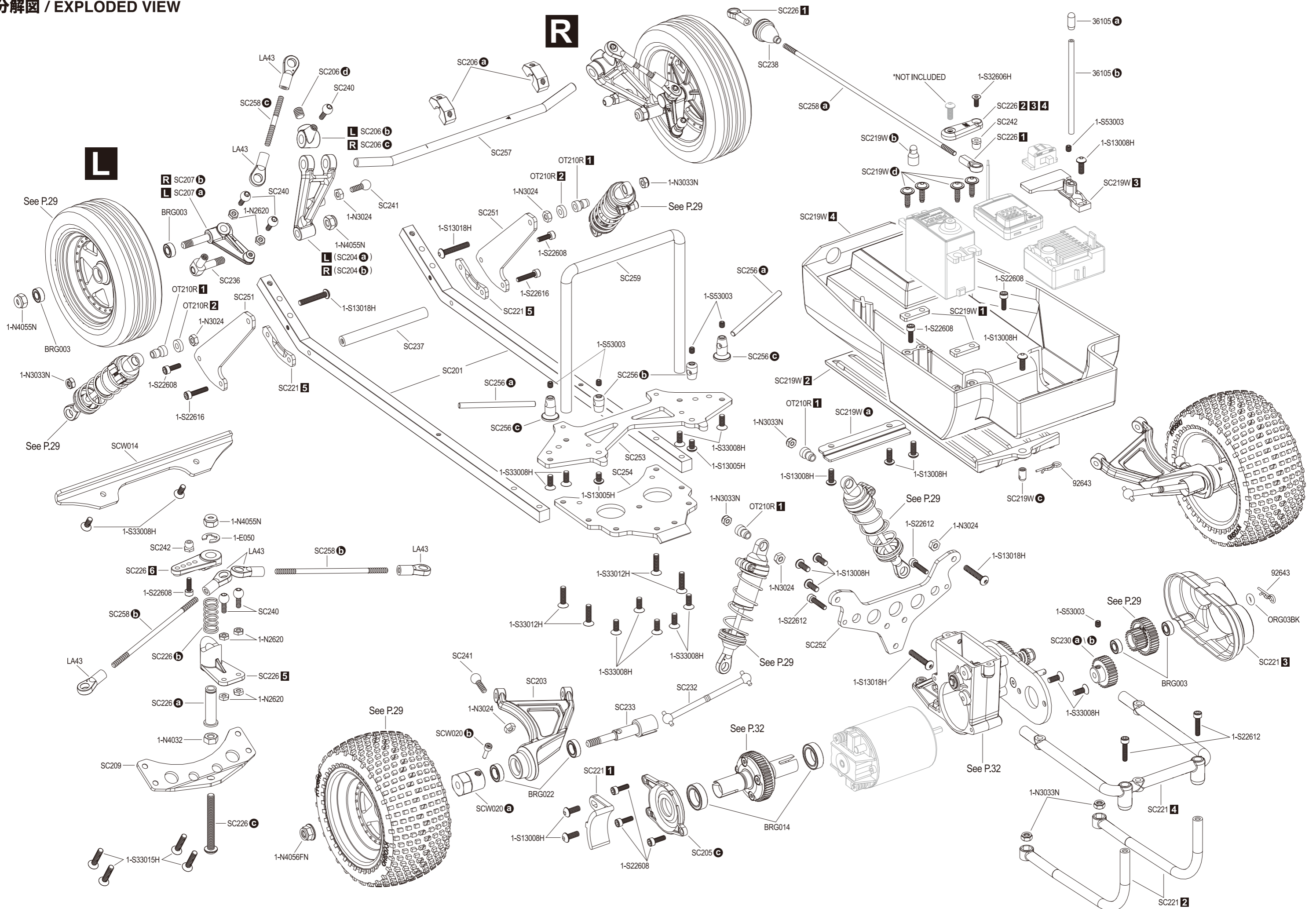
Rear SC263



Gear Ratio Chart

1:1		6.9 : 1	8.3 : 1
SC230 a Motor Pinion 31T Gear	SC225 c Spur Gears 38T	SC230 b Motor Pinion 28T Gear	SC225 b Spur Gears 41T

分解图 / EXPLODED VIEW



分解図 / EXPLODED VIEW

