

MODEL: EVEREST GEN7 (SPORT/PRO)



MAN-EVERESTGEN7-2020-6-11

- To ensure that you are using the most recent version of this manual:  
[www.redcatracing.com/manuals/EVERESTGEN7MANUAL.pdf](http://www.redcatracing.com/manuals/EVERESTGEN7MANUAL.pdf)
- To ensure that you have the most recent version of the Electronic Vehicles Manual:  
[www.redcatracing.com/manuals/ELECTRIC-MANUAL.pdf](http://www.redcatracing.com/manuals/ELECTRIC-MANUAL.pdf)





# WARNINGS

READ ALL INSTRUCTIONS INCLUDED WITH VEHICLE BEFORE OPERATING



## AGE WARNING!

This radio controlled (RC) vehicle is not a toy! You must be 14 years of age or older to operate this vehicle. Adult supervision is required.



## RISK OF RUNAWAY VEHICLE OR INJURY!

Never turn on the vehicle or plug in the battery pack without first having the controller turned on.



## RISK OF FIRE! / RISK OF EXPLOSION!

There is a risk of fire and explosion when dealing with batteries. Rechargeable batteries may become hot and catch fire if left unattended or charged too quickly. Use extra caution when charging LiPO batteries. Use only LiPO specific chargers. Use a LiPO safe charging pouch when charging LiPOs. Charge away from flammable materials. Never charge at a rate higher than 1C. {2000Mah pack= 2amps charge rate). Overcharging can lead to fire and explosion. Always store battery packs in a cool dry place.



## RISK OF BURNS!

The batteries, electronic speed controller (ESC), electric motor, and other areas of the vehicle can get hot. Burns can occur if touched after vehicle operation. Allow adequate time to cool before handling.



## RISK OF ELECTRICAL SHOCK!

Use caution when charging batteries. Do not touch positive and negative leads together. Do not lay battery on metal. Use only chargers specified for the battery type being charged. Keep batteries and chargers away from water.



## RISK OF INJURY!

Hobby grade RC vehicles can cause serious injury or death if not operated correctly. Never use vehicle in crowds. Never chase people or animals. Drive in safe open areas only. Keep body parts away from moving parts.



## RISK OF DAMAGE!

Never operate RC vehicles on public roads. Damage of vehicle and property can occur. Only operate on open private property. Never charge the battery pack while it is still plugged into the RC vehicle. Always unplug the battery pack from the electronic speed controller (ESC) and remove the battery from the RC vehicle before charging. Failure to do so will result in damage to the vehicle's electronics.



## WARNING!

Do not mix old and new batteries. Do not mix alkaline, lithium, standard (carbon zinc), or rechargeable (nickel cadmium) batteries. Do not charge or charge batteries in a hazardous location.



**FCC Compliance Statement!** The radio included with your vehicle complies with part 15 of the FCC Rules. Operation is subject to the following two conditions: (1) This device may not cause harmful interference, and (2) This device must accept any interference received, including interference that may cause undesired operations. Note: This equipment has been tested and found to comply with the limits for a Class B digital device, pursuant to Part 15 of the FCC Rules. These limits are designed to provide reasonable protection against harmful interference in a residential installation. This equipment generates, uses and can radiate radio frequency energy and, if not installed and used in accordance with the instructions, may cause harmful interference to radio communications. However, there is no guarantee that interference will not occur in a particular installation. If this equipment does cause harmful interference to radio or television reception, which can be determined by turning the equipment off and on, the user is encouraged to try to correct the interference by one of the following measures:

Reorient or relocate the receiving antenna.

Increase the separation between the equipment and receiver.

Connect the equipment into an outlet on a circuit different from that to which the receiver is connected.

Consult the dealer or an experienced radio/TV technician for help.

**WARNING:** Any changes or modifications not expressly approved by the party responsible for compliance could void the user's authority to operate this equipment.

**WARNING:** While operating the Radio, a separation distance of at least 20 centimeters must be maintained between the radiating antenna and the body of the user or nearby persons in order to meet the FCC RF exposure guidelines.



# WARNINGS

## ENGLISH

WARNING: DO NOT MIX OLD AND NEW BATTERIES. DO NOT MIX ALKALINE, LITHIUM, STANDARD (CARBON ZINC), OR RECHARGEABLE (NICKEL CADMIUM) BATTERIES.

WARNING: THIS REMOTE-CONTROL VEHICLE IS NOT A TOY. THIS REDCAT RACING PRODUCT IS A HIGH-PERFORMANCE VEHICLE THAT FOR SAFETY REASONS SHOULD NOT BE RUN ON PUBLIC STREETS, IN CROWDED AREAS, ENVIRONMENTALLY SENSITIVE AREAS, OR NEAR CHILDREN OR ANIMALS. THIS VEHICLE CONTAINS MOVING PARTS AND PARTS THAT CAN BECOME HOT TO THE TOUCH DURING NORMAL OPERATIONS. PLEASE READ THE MANUAL AND ALL WARNINGS CAREFULLY TO AVOID ANY DAMAGE OR INJURIES THAT MIGHT OCCUR. FOLLOW ALL PRODUCT WARNINGS. THIS PRODUCT MAY REQUIRE SOME ASSEMBLY AND ROUTINE MAINTENANCE IS NECESSARY. VISIT REDCATRACING.COM FOR HELPFUL VIDEOS ON PREPARING AND RUNNING YOUR R/C CAR. PLEASE GO TO REDCATRACING.COM TO VIEW THE LIMITED WARRANTY INFORMATION. CRASH DAMAGE IS NOT COVERED UNDER WARRANTY.

WARNING: THIS PRODUCT CONTAINS CHEMICALS WHICH ARE KNOWN TO THE STATE OF CALIFORNIA TO CAUSE CANCER, BIRTH DEFECTS, OR OTHER REPRODUCTIVE HARM. NOT FOR CHILDREN UNDER 14 YEARS OF AGE WITHOUT ADULT SUPERVISION. CONTAINS SMALL PARTS. KEEP OUT OF REACH OF SMALL CHILDREN.

MADE IN CHINA

## GERMAN

WARNUNG: ALTE UND NEUE BATTERIEN NICHT MISCHEN. MISCHEN SIE KEINE ALKALI-, LITHIUM-, STANDARD-(KOHLENSTOFF-ZINK) ODER WIEDERAUFLADBAREN (NICKEL-CADMIUM) BATTERIEN.

WARNUNG: DIESES FERNGESTEUERTE FAHRZEUG IST KEIN SPIELZEUG. DIESES REDCAT RACING PRODUKT IST EIN HOCHLEISTUNGSFAHRZEUG, DAS AUS SICHERHEITSGRÜNDEN NICHT AUF ÖFFENTLICHEN STRAßEN, IN ÜBERFÜLLTEN GEBIETEN, IN ÖKOLOGISCH SENSIBLEN BEREICHEN ODER IN DER NÄHE VON KINDERN ODER TIEREN EINGESETZT WERDEN SOLLTE. DIESES FAHRZEUG ENTHÄLT BEWEGLICHE TEILE UND TEILE, DIE SICH WÄHREND DES NORMALEN BETRIEBS ERHITZEN KÖNNEN. BITTE LESEN SIE DAS HANDBUCH UND ALLE WARNHINWEISE SORGFÄLTIG DURCH, UM SCHÄDEN ODER VERLETZUNGEN ZU VERMEIDEN. ALLE PRODUKTWARNUNGEN BEACHTEN. DIESES PRODUKT KANN EINIGE MONTAGE- UND WARTUNGSARBEITEN ERFORDERN. BESUCHEN SIE REDCATRACING.COM FÜR HILFREICHE VIDEOS ÜBER DIE VORBEREITUNG UND DEN BETRIEB IHRES RC-AUTOS. BITTE GEHEN SIE ZU REDCATRACING.COM, UM DIE INFORMATIONEN ZUR EINGESCHRÄNKTEN GARANTIE EINZUSEHEN. UNFALLSCHÄDEN SIND VON DER GARANTIE AUSGESCHLOSSEN.

WARNUNG: DIESES PRODUKT ENTHÄLT CHEMIKALIEN, DIE DEM STAAT KALIFORNIEN BEKANNT SIND, UM KREBS, GEBURTSFEHLER ODER ANDERE REPRODUKTIVE SCHÄDEN ZU VERURSACHEN. BENUTZUNG NICHT FÜR KINDER UNTER 14 JAHREN OHNE AUFSICHT EINES ERWACHSENEN. ENTHÄLT KLEINTEILE. AUßERHALB DER REICHWEITE VON KLEINEN KINDERN AUFBEWAHREN.

HERGESTELLT IN CHINA

## SPANISH

ADVERTENCIA: NO REVOLVER BATERIAS VIEJAS CON NUEVAS. NO REVUELVA ALCALINAS, LITIO, ESTANDARS (CARBONO DE ZINC), O BATERIAS RECARGABLES (NIQUEL CADMIO).

ADVERTENCIA: ESTE VEHICULO CONTROL REMOTO NO ES UN JUGETE. ESTE PRODUCTO REDCAT RACING ES UN VEHICULO DE ALTO RENDIMIENTO Y POR RAZONES DE SEGURIDAD NO DEVERIA SER CORRIDO EN CALLES PUBLICAS, EN ZONAS CON MUCHEDUMBRE, AREAS AMBIENTALMENTE SENSIBLES, O CERCA DE NIÑOS O ANIMALES. ESTE VEHICULO CONTIENE PARTES QUE TIENEN MOVIMIENTO Y PARTES QUE SE CALIENTAN DURANTE SU USO NORMAL. POR FAVOR LEA EL MANUAL Y TODAS SUS ADVERTENCIAS CUIDADOSAMENTE PARA EVITAR CUALQUIER DAÑO O LESION QUE PUEDA OCURRIR. SIGA TODAS LAS ADVERTENCIAS DEL PRODUCTO. ESTE PRODUCTO PUEDE REQUERIR ALGUN ENSAMBLE Y ES NECESARIO EL MANTENIMIENTO DE RUTINA. VISITA REDCATRACING.COM POR VIDEOS DE AYUDA EN PREPARACION Y COMO CORRER TU R/C CAR. POR FAVOR VE A REDCATRACING.COM PARA VER LA INFORMACION DE LOS LIMITES DE GARANTIA. DAÑOS POR CHOQUE NO SON CUBIERTOS POR LA GARANTIA.

ADVERTENCIA: DEACUERDO AL ESTADO DE CALIFORNIA ESTE PRODUCTO CONTIENE QUIMICOS QUE SON CONOCIDOS POR CAUSAR CANCER, DEFECTOS DE NACIMIENTO, O OTROS DAÑOS REPRODUCTIVOS. NO PARA NIÑOS MENORES DE 14 AÑOS DE EDAD SIN LA SUPERVISION DE UN ADULTO. CONTIENE PARTES PEQUEÑAS, MANTENLO FUERA DEL ALCANCE DE LOS NIÑOS PEQUEÑOS.

HECHO EN CHINA

## FRENCH

AVERTISSEMENT : NE PAS MÉLANGER D'ANCIENNES ET DE NOUVELLES PILES. NE PAS MÉLANGER DES PILES ALCALINES, AU LITHIUM, STANDARD (CARBONE-ZINC) OU RECHARGEABLES (NICKEL-CADMIUM).

AVERTISSEMENT : CE VÉHICULE TÉLÉCOMMANDÉ N'EST PAS UN JOUET. CE PRODUIT REDCAT RACING EST UN VÉHICULE DE HAUTE PERFORMANCE QUI, POUR DES RAISONS DE SÉCURITÉ, NE DOIT PAS ÊTRE UTILISÉ SUR LA VOIE PUBLIQUE, DANS DES ENDROITS BONDÉS, DANS DES ZONES ÉCOLOGIQUEMENT SENSIBLES OU À PROXIMITÉ D'ENFANTS OU D'ANIMAUX. CE VÉHICULE CONTIENT DES PIÈCES MOBILES ET DES PIÈCES QUI PEUVENT DEVENIR CHAUDES AU TOUCHER PENDANT LES OPÉRATIONS NORMALES. VEUILLEZ LIRE ATTENTIVEMENT LE MANUEL ET TOUS LES AVERTISSEMENTS AFIN D'ÉVITER TOUT ACCIDENT OU BLESSURE QUI POURRAIT S'EN SUIVRE. SUIVRE TOUTES LES MISES EN GARDE SUR LES PRODUITS. CE PRODUIT PEUT NÉCESSITER UN CERTAIN ASSEMBLAGE ET UN ENTRETIEN DE ROUTINE SI NÉCESSAIRE. VISITEZ REDCATRACING.COM POUR VISIONNER DES VIDÉOS UTILES SUR LA PRÉPARATION ET L'UTILISATION DE VOTRE VOITURE DE LOCATION. VEUILLEZ VOUS RENDRE SUR REDCATRACING.COM POUR CONSULTER LES INFORMATIONS SUR LA GARANTIE LIMITÉE. LES DOMMAGES DUS À UN ACCIDENT NE SONT PAS COUVERTS PAR LA GARANTIE.

AVERTISSEMENT : CE PRODUIT CONTIENT DES PRODUITS CHIMIQUES QUI SONT CONNUS DE L'ÉTAT DE CALIFORNIE COMME CAUSANT LE CANCER, DES MALFORMATIONS CONGÉNITALES OU D'AUTRES PROBLÈMES DE REPRODUCTION. PAS POUR LES ENFANTS DE MOINS DE 14 ANS SANS LA SURVEILLANCE D'UN ADULTE. CONTIENT DE PETITES PIÈCES. GARDER HORS DE PORTÉE DES JEUNES ENFANTS.

FABRIQUÉ EN CHINE



# FEATURES & SPECIFICATIONS

## Sport & Pro Model:

- Scale: 1:10
- Motor: RC550
- Length: 521mm
- Width: 241mm
- Height: Sport-230mm, Pro-286mm
- Wheelbase: Adjustable 317mm - 325mm
- Wheel Diameter: 115mm
- Wheel Width: 45mm
- Tires: Licensed Interco Super Swampers
- ESC: Brushed Crawler ESC (LIPO ready)
- Chassis: 3mm Steel Ladder Frame, Designed by BPC & TG2

## Sport Model Specific:

- Front Axles: Dogbone
- Shocks: Aluminum Cap Oil Filled
- Sport Tire Inserts
- Plastic Solid Axle Hub
- Battery: 7.2v 2000mAh NiMH
- Roll Cage: NO
- Tilt Body: NO
- Roof Rack w/ Accessory Pack: NO
- Detailed Bumpers

## Pro Model Specific:

- Front Axles: CVA
- Shocks: Aluminum Body Oil Filled
- Pro Tire Inserts
- Aluminum Solid Axle Hub
- Battery: 7.2v 3000mAh NiMH
- Roll Cage: YES
- Tilt Body: YES
- Roof Rack w/ Accessory Pack: YES
- Detailed Bumpers w/ Shackles

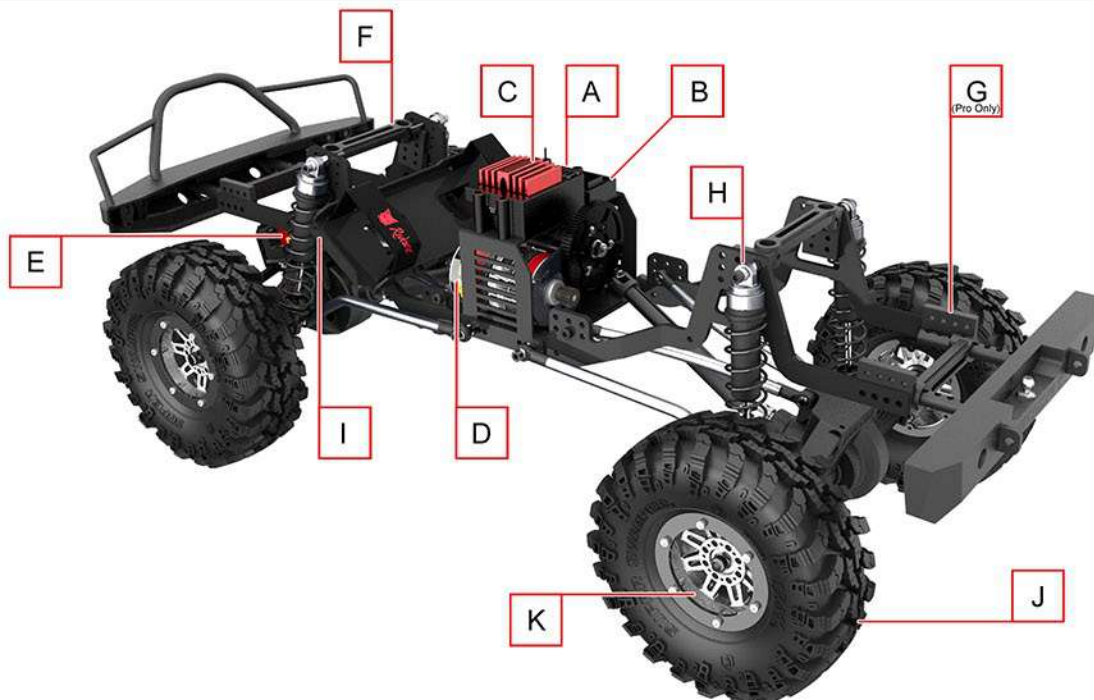
Maximum NIMH Battery: 7.2v 5800mAh NiMH

Maximum LIPO Battery: 11.1v 3S (Recommend 7.4v 2S)

**Warning:** Exceeding the maximum battery voltage may cause damage to the motor and electronic components of this vehicle and will void the vehicle warranty.

## VEHICLE OVERVIEW

- A:** On/Off Switch
- B:** 2.4GHz Receiver
- C:** ESC
- D:** Electric Motor
- E:** Steering Servo
- F:** Body Post Mount (x2)
- G:** Tilt Body Mounting Bracket (Pro Only)
- H:** Oil Filled Shock (x4)
- I:** Battery Tray
- J:** Interco Super Swamper Tire (x4)
- K:** 1.9 Beadlock Wheel (x4)



# RADIO GUIDE

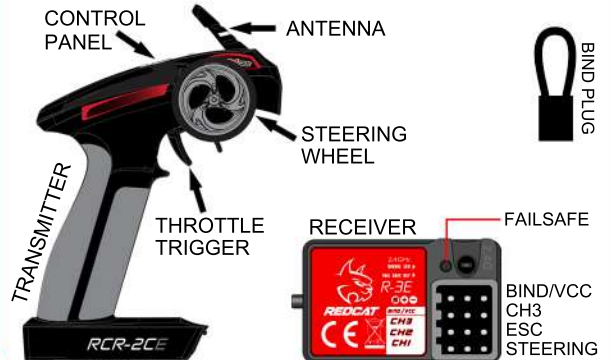
CONTROL PANEL



New high clearance steering knuckles, included with this kit, require the "Steering Dual Rate" knob to be set as shown. A higher setting may damage the servo.



**RCR-2CENR**  
2.4 GHZ RADIO



## RADIO:

**Steering Reverse Switch:** Top left switch. Used to change steering orientation. If the car turns right when you steer left, flip this switch.

**Throttle Reverse Switch:** Top right switch. Used to change throttle trigger orientation. If the car goes in reverse while you pull the throttle trigger, flip this switch.

**Power LED:** Left LED light. Lights up when the transmitter is turned on.

**Status LED:** Right LED light. Lights up green when transmitter batteries are full. Flashes when transmitter batteries are low and need replacing.

**Bind Button:** Used to bind the transmitter to the receiver. See binding instructions.

**Steering Trim:** Left knob. Used to set the steering neutral point. If the vehicle veers in one direction while the steering wheel is centered, turn this knob in the opposite direction until the car drives straight.

**Throttle Trim:** Middle knob. Used to set the throttle neutral point. If the vehicle moves forward or reverse while the throttle trigger is centered, turn this knob until the vehicle remains still. For maximum setting, turn slowly until the vehicle creeps forward, then turn the knob in opposite direction until the car stops.

**Steering Dual Rate:** Right knob. Used to limit the amount of steering. 0= little/no steering & 100= maximum steering. Set the knob to the amount of steering you feel comfortable with. (see above) If the vehicle has a tendency to spin out, lower the steering rate.

**On/Off Switch:** Bottom switch. Turns transmitter On and Off.

## RECEIVER:

**BIND/VCC:** Used when binding to transmitter.

**Ch3:** Used for 3rd channel when needed.

**Ch2:** Used for electronic speed controller (ESC).

**Ch1:** Used for steering servo.

**Failsafe Button:** See next page.

## BINDING:

1. Insert the BIND PLUG into the receiver BIND port.
2. Make sure your ESC is plugged into CH2, and insert the bind plug into BIND/VCC. Now, power the vehicle on and the receiver light should begin to blink red.
3. Press the BIND button in the center of the transmitter's Control Panel and turn on radio.
4. Release the bind button when you see the green light on the radio flashing. At this point, your receiver's LED light should pause for approximately 1 second and then blink slowly. Turn off the power to your vehicle, as well as the radio.
5. Remove the BIND PLUG from the receiver. Make sure the servos and ESC are attached as described above.
6. First turn your radio on, then your vehicle as normal. Your radio and receiver should be bound together and communicating with each other.



# RADIO GUIDE

## USING THE BUILT IN FAILSAFE

### 1. Function:

The failsafe helps to prevent out-of-control RC vehicles if the transmitter signal is lost. If the receiver is unable to receive a transmitter signal, the position of the throttle channel, on the receiver, will return to its preset failsafe position.

### 2. Setting the Failsafe:

- a. Turn on the transmitter.
- b. Turn on the receiver. The LED [N] will light up.
- c. On the transmitter, Apply full brakes and hold.
- d. Press the setting button [O] on receiver. The LED will blink, then stop after 3 seconds. This means the failsafe has completed setup.

### 3. Testing the Failsafe:

- a. Turn on the transmitter.
- b. Turn on the receiver.
- c. Turn off the transmitter.
- d. The throttle will return to its full brake setting automatically.
- e. The failsafe setup is complete if the above procedures were successful.

**WARNING:** Low or no voltage will not allow the Failsafe to engage.

# ELECTRONIC SPEED CONTROLLER

## WARNINGS:

To avoid short circuits, ensure that all wires & connections are well insulated and there is good contact at all connections. Read through the entire manual before operating and ensure all electronics are installed correctly. To avoid accidents, we recommend setting the vehicle on a stand, with the tires free from any contact, while connecting and adjusting electronics. Stop usage and unplug the battery immediately if the ESC exceeds 90°C/194°F as this may damage both the ESC and motor. Disconnect the battery after use. The ESC continually draws current from the battery (even if the ESC is turned off). If left plugged in for long periods of time, the battery will completely discharge, which may result in damage to the battery or ESC. This WILL NOT be covered under warranty.

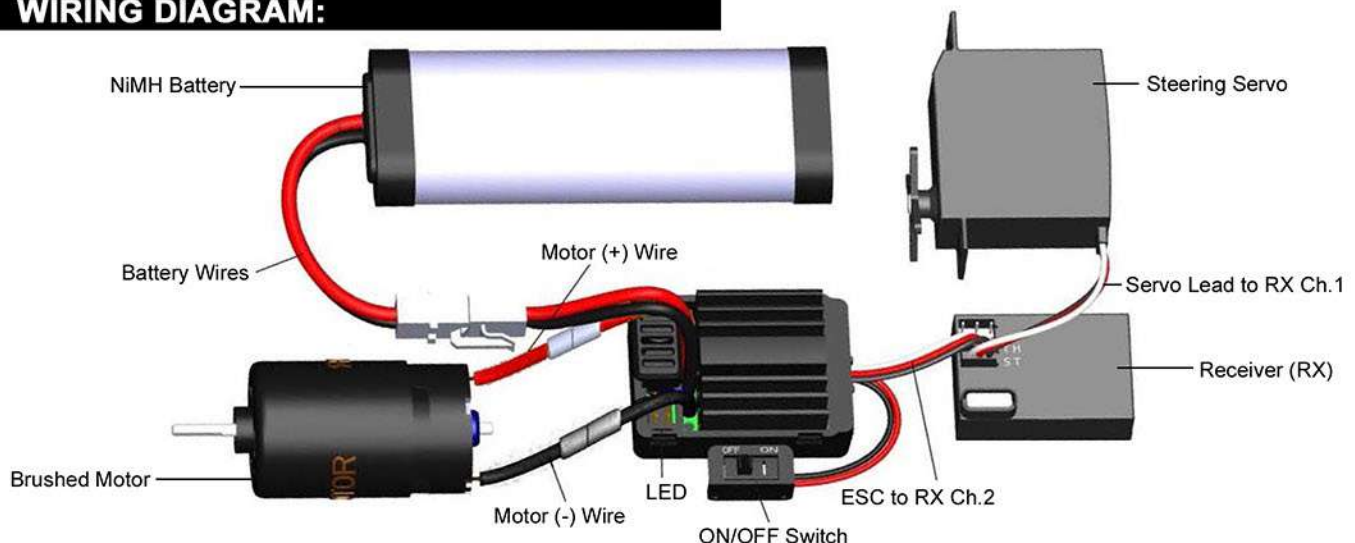
## FEATURES:

- Waterproof and dust-proof for all weather conditions. (Note: Be sure to clean and dry ESC and connections after wet use to avoid rust.)
- ESC, specially programmed for crawlers, guarantees excellent throttle and brake linearity as well as superior control performance.
- 3 levels of drag brake: 0%, 50% and 100%, allowing users to adjust brake feel for different terrains and personal preference.
- Built-in switching BEC with cont. /peak current of 3A/6A for use with most servos.
- Protective features: low-voltage cutoff protection, thermal protection, throttle signal loss protection, and motor lock-up protection.
- The ESC is easily programmed using the included jumper caps.

## SPECS:

<b>Model:</b>	<b>WP-1040-BRUSHED-Crawler-V4</b>
<b>Cont./Peak Current:</b>	<b>40A / 180A</b>
<b>LIPO/NiMH Cells:</b>	<b>2-3S LIPO / 5-9 Cells NiMH</b>
<b>Applications</b>	<b>1/10th Crawlers</b>
<b>Motor Limit 2S LiPO / 5-6 Cells NiMH:</b>	<b>540/550 Size Brushed Motor ≥12T</b>
<b>Motor Limit 3S LiPO / 7-9 Cells NiMH::</b>	<b>540/550 Size Brushed Motor ≥17T</b>
<b>Built in BEC:</b>	<b>6V @ 3A (Switch-mode)</b>
<b>Size / Weight:</b>	<b>46.5mm x 37.5mm x 27.5mm / 67g</b>

## WIRING DIAGRAM:





# ELECTRONIC SPEED CONTROLLER

## OPERATION:

**Step 1: Connect all components** (as shown in wiring diagram) and recheck all connections before moving to the next step.

**Step 2: Set the Throttle Range.** This ESC can automatically recognize the neutral position of the transmitter, but you need to follow the following steps.

- 1) Turn on the transmitter and move the throttle trigger to the neutral position.
- 2) With the ESC powered off, connect the motor, battery and other devices.
- 3) Turn on the ESC and wait at least 3 seconds. The ESC will automatically detect neutral.

**Note:** The ESC will beep according to the battery type and cell count used. If the ESC is set to use a LIPO battery, the ESC will sound 2 short beeps if it detects a 2S LIPO, and 3 short beeps if it detects a 3S LIPO. If the ESC is set to use a NiMH battery, it will beep one short beep followed by one long beep to indicate self detection is over and the ESC is ready to use.

### Attention!

1. After turning on the ESC, you **must** wait (at least 3 seconds) until the self detection completes. Otherwise, it may not function properly.
2. After turning on the ESC, if there is no power output and the Red LED flashes rapidly, it means the throttle of the transmitter is not in the neutral position. If this happens, be sure the "Throttle Trim" on the transmitter is at the "0" position, fine tune the throttle neutral position until the Red LED stops flashing.
3. To avoid any possible injury, always turn on the transmitter first and the ESC last, and then turn off the ESC first and the transmitter last. Be sure the transmitter is on anytime the vehicle is on.

**Step 3: The Red LED** will emit certain flash sequences while running the vehicle. If everything is hooked up correctly and the vehicle is running normal, the ESC LED should look like this.

1. The Red LED will turn off when the throttle trigger is in the throttle neutral zone.
2. The Red LED flashes rapidly when the vehicle is lightly throttled forward and turns solid Red when full throttle is used.
3. The Red LED flashes rapidly when the vehicle is lightly throttled rearward and turns solid Red when full reverse or brake is used.

**Note:** swap the two wires from motor to ESC if you find the motor runs in reverse, but check the Throttle Reverse switch on the transmitter first.

## PROGRAMMING:

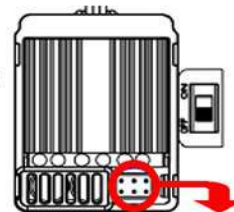
This ESC has two programmable items, that can be easily programmed with the included jumper caps.

### 1. The top row = "Drag Brake".

- 100% drag brake = Connect one jumper cap to the left two pins
- 50% drag brake = Connect one jumper cap to the right two pins
- 0% drag brake = No jumper cap.
- 50% = Default setting.

### 2. The bottom row = "Battery Type".

- LIPO battery. = Connect one jumper cap to the left two pins.
- NiMH battery = Connect one jumper cap to the right two pins.
- LIPO battery = Default setting.



Drag Brake	 100%	 50%	 0%
Battery	 LIPO	 NiMH	

**Note:** When using a LIPO battery, the ESC MUST be set to LIPO or damage to the battery will occur.



# ELECTRONIC SPEED CONTROLLER

## PROTECTIVE FEATURES:

**Low-voltage Cutoff Protection.** When the “Battery Type” is set to “LIPO”, the cutoff voltage for each battery cell is 3.2V. So when using a 2S LiPo, the cutoff voltage for the pack will be 6.4V. When using a 3S pack the cutoff voltage will be 9.6V. When the “Battery Type” is set to “NiMH”, the cutoff voltage (for the pack) is 4.5V. The ESC will cut throttle power output to 1/2 when it detects the pack voltage has dropped to the cut-off threshold for 2 seconds, and completely cut the throttle power output off after 8 seconds. The Red LED will blink repeatedly. Turn off the ESC and remove the discharged battery pack. Wait for the battery to cool before recharging.

**Note:** Be absolutely sure the “Battery Type” is set properly. If the low-voltage cutoff protection is activated prematurely, and you are certain the battery type is set correctly, the battery being used may not have a high enough discharge rate, or is damaged. Try another fully charged battery pack with a higher discharge rate (be sure ESC is set according to the new battery being used).

**Thermal Protection.** The ESC will cut off all power output and the Red LED will blink repeatedly when its internal temperature reaches the value (105°C/221°F) preset by the factory. The ESC will return to normal operation when the ESC temperature falls below 80°C/176°F.

**Note:** If the thermal protection is activated on a regular basis, then there may be an issue with the vehicles power demand. The motor may be geared too high, the vehicle or load may be too heavy, the drive train may be obstructed or binding, or an improper motor is being used.

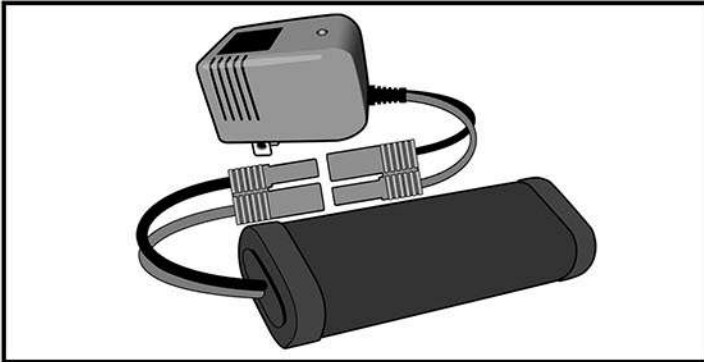
**Throttle Signal Loss Protection.** The ESC will immediately cut power output and the Red LED will blink rapidly when it detects that the throttle signal has been lost for 0.1 second.

## TROUBLESHOOTING:

TROUBLE	POSSIBLE CAUSE(S)	POSSIBLE SOLUTION(S)
The ESC will not power on. The status light is off and there is no power output after the ON/OFF switch was turned ON.	<ol style="list-style-type: none"> <li>1. No power is being supplied to the ESC.</li> <li>2. The ESC switch may be damaged.</li> </ol>	<ol style="list-style-type: none"> <li>1. Check if all ESC &amp; connections are well soldered and firmly connected.</li> <li>2. Contact Redcat support.</li> </ol>
The ESC was unable to start the motor but the Red LED flashed rapidly after it was powered on.	<ol style="list-style-type: none"> <li>1. The neutral position on the transmitter may need adjustment.</li> <li>2. The ESC is plugged into the receiver incorrectly.</li> </ol>	<ol style="list-style-type: none"> <li>1. Re-calibrate the throttle range or tune the radio throttle trim neutral position to match the current ESC neutral position.</li> <li>2. Plug the ESC into the RX correctly.</li> </ol>
The vehicle ran backward when you pulled the throttle trigger towards you.	<ol style="list-style-type: none"> <li>1. The radio “Throttle Reverse” switch may be improperly set.</li> <li>2. The motor-to-ESC wiring is incorrect.</li> </ol>	<ol style="list-style-type: none"> <li>1. Switch the radio “Throttle Reverse” switch.</li> <li>2. Swap the two wires (black and red) from the motor to the ESC.</li> </ol>
The motor suddenly stopped working, but the steering still works.	<ol style="list-style-type: none"> <li>1. The throttle signal was lost.</li> <li>2. The LVC protection or the thermal protection may have been activated.</li> </ol>	<ol style="list-style-type: none"> <li>1. Check the radio and the receiver.</li> <li>2. If the Red LED blinks repeatedly: check the battery voltage and the ESC temperature.</li> </ol>
The motor accelerated suddenly, stuttered or stopped during the starting-up process.	<ol style="list-style-type: none"> <li>1. The discharge capacity of the pack is insufficient.</li> <li>2. The RPM is too high, the gear ratio or final drive ratio is incorrect.</li> </ol>	<ol style="list-style-type: none"> <li>1. Use another pack with better discharge capability.</li> <li>2. Use stock motor, stock gearing, and don't pull heavy loads.</li> </ol>



# CHARGING THE NIMH BATTERY



**ATTENTION**

**BATTERY CONNECTION INSTRUCTIONS:**  
Make sure battery connectors are fully pushed in when charging and connecting to the vehicle.

**ATTENTION**

Before attempting to charge your NiMH battery, be sure to remove it from the vehicle and place it on a nonflammable surface away from hazards, such as curtains, couches, carpet, or clothing.  
**Warning!** Batteries can potentially catch fire if over charged or charged incorrectly.

**ATTENTION**

Be sure the wires are correctly orientated when plugging the battery into the vehicle.

When plugging the battery into the vehicle, Ensure the red (POS+) wire on the battery is connected to the red (POS+) wire of the ESC. Also ensure the black (NEG-) wire on the battery is connected to the black (NEG-) wire of the ESC.

Improper connection may damage electronics.

**NIMH Charging:**  
Charging NiMh battery packs with the included charger is simple.

1. Unplug and remove the battery from the RC vehicle.
2. Plug the charger into a 110v wall receptacle.
3. Plug the battery pack into the charger.

When plugging the battery into the charger, ensure the red (POS+) wire on the battery is connected to the red (POS+) wire of the charger. Also ensure the black (NEG-) wire on the battery is connected to the black (NEG-) wire of the charger.

Charge times vary according to charger current and battery mAh. **Battery mAh ÷ Charger mA = Approximate charge time**  
Ex. 2000mAh battery ÷ 500mA charger = ~4 hours charge time.

BATTERY CHARGER ↓	2000mAh	2200mAh	3000mAh	3800mAh
500mA	4 hrs	4.4 hrs	6 hrs	7.6hrs
650mA	3 hrs	3.4 hrs	4.6 hrs	5.8 hrs
1A	2 hrs	2.2hrs	3 hrs	3.8 hrs

**STOP WARNING STOP**

**UNPLUG THE BATTERY PACK FROM THE VEHICLE!**  
BEFORE CHARGING YOUR BATTERY PACK, YOU MUST FIRST UNPLUG IT FROM THE ESC. FAILURE TO UNPLUG THE BATTERY FROM THE VEHICLE'S ESC BEFORE CHARGING MAY PERMANENTLY DAMAGE SOME OR ALL ELECTRONICS IN THE VEHICLE.

**NEVER LEAVE BATTERY PACKS UNATTENDED WHILE CHARGING!** Leaving a battery unattended while charging may result in fire and damage / injury.

**NEVER ALLOW A BATTERY PACK TO GET HOT!** It's normal for the battery pack to get warm, but it should never get hot! Monitor batteries during charging and unplug to let cool if the battery gets hot.

**WHEN CHARGING LIPOs, A LIPO SAFE CHARGING BAG SHOULD BE USED TO HELP PREVENT FIRES.**



# DECALS

## INCLUDED CUSTOM DECAL OPTIONS:

The Everest GEN7 allows you to choose which look your truck will have, using custom decals. Below are some examples of the look you can achieve using the custom decals.

Silver/White



Silver/Woodgrain



Silver/Red



Burnt Orange/White



Green/Woodgrain



Black/Red



Black/Woodgrain



Green/White



## IMPORTANT:

The Gen7 PRO will need to have the fenders and accessories removed before applying decals. Please refer to the next few pages to see how to disassemble the pro model.

# BODY

## OVERVIEW:

The Everest GEN7 is available in two models, SPORT and PRO. There are several differences in the SPORT and PRO body system. The PRO version includes several scale additions, such as tilt roll cage, inner fenders, outer fender flairs, snorkel, folding mirrors, roof rack, and many scale accessories to go onto the roof rack.

SPORT



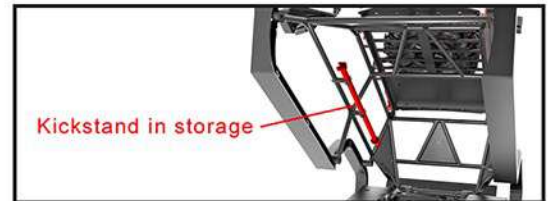
PRO



## PRO BODY MOUNTING OPTIONS:

- Rear hinged with front Hook and Loop (Standard Configuration)
- Rear hinged with front body posts. If using front body posts, it is recommended that you do not remove the Hook and Loop fastener from the body as this may cause the paint to peel.

## TILT BODY (PRO VERSION):





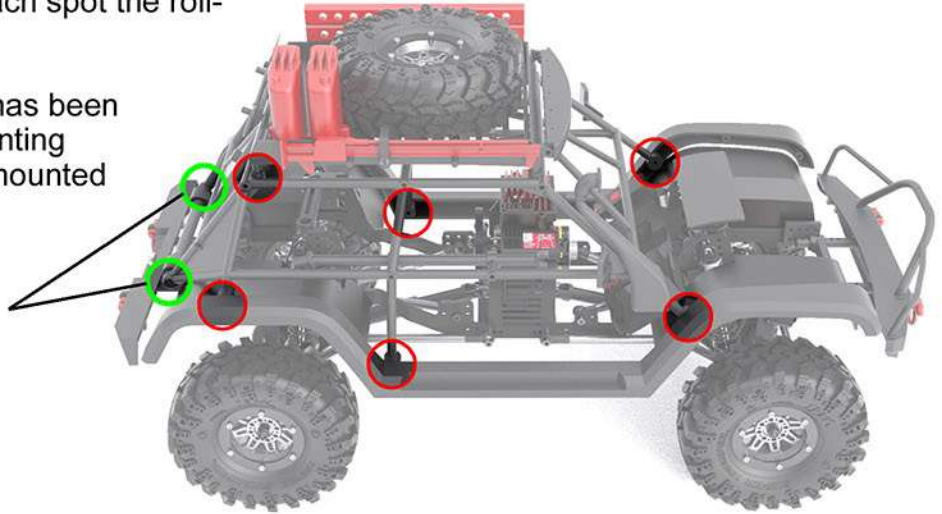
# BODY

## HINGED BODY MOUNTING (PRO):

The image to the right shows each spot the roll-cage fastens to the fenders.

**NOTE:** The body in this image has been removed to better view the mounting locations. The body should be mounted to the roll cage at these points.

These circles show where the roll cage fastens to the chassis, creating the hinge point.



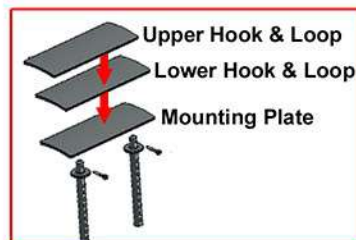
## BODY POSTS:

There are two options for securing the front of the body. You can use the standard configuration (Hook & Loop) or install the included body posts. Each system has its benefits. While the standard body posts may be more secure, the Hook & Loop mounting system will add the scale realism many hobbyists expect from a scale crawler.

**NOTE:** Decide wisely. Your decision is final! If you choose the standard body posts, you will need to drill two holes in the hood of the vehicle. It is recommended that you do not attempt to remove the Hook & Loop tape from the underside of the body, as it may cause paint to peel.

## HOOK & LOOP INSTALLATION:

For replacement bodies or upgrades to sport model



Upper Hook & Loop (fuzzy side down)



Lower Hook & Loop already mounted to mounting plate

1. Secure the mounting plate to the body posts using the included screws.
2. Stick one side of the Hook & Loop tape to the mounting plate.
3. Place the upper Hook & Loop tape to the Hook & Loop you just installed to mounting plate.  
**NOTE:** Make sure the two "fuzzy" surfaces of the Hook & Loop tape are touching each other, this should leave the "sticky" side of the upper Hook & Loop tape facing upward.
4. Peel the protective film from the upper hook and loop tape, exposing the "sticky" surface.
5. Slowly tilt the body downward onto the sticky surface of the hook and loop tape, pressing firmly.

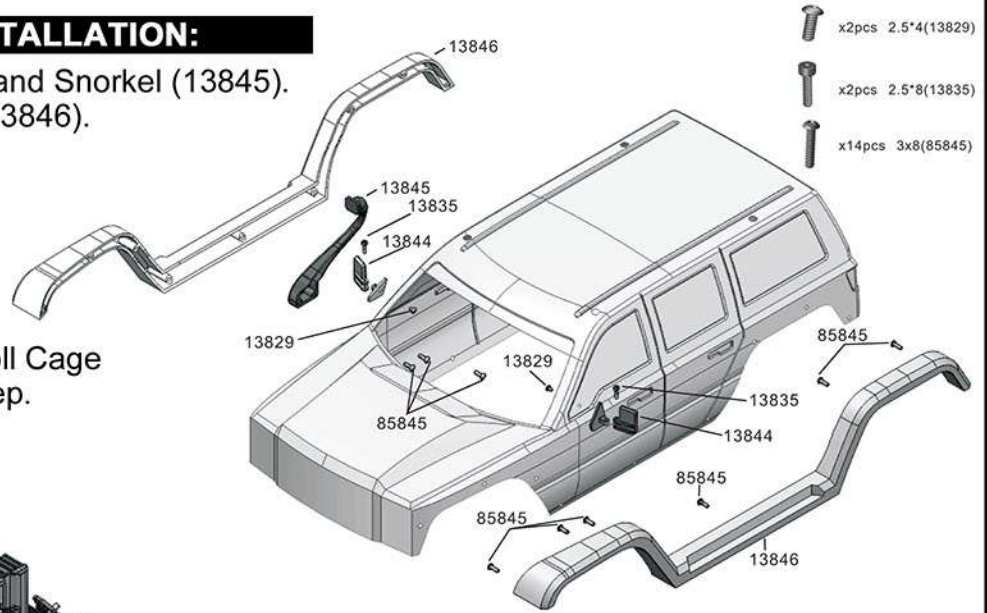


# BODY

## BODY ACCESSORY INSTALLATION:

1. Install the Mirrors (13844) and Snorkel (13845).
2. Install the Fender Flares (13846).

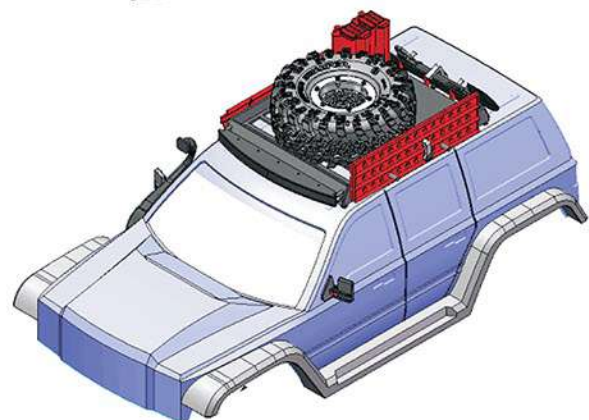
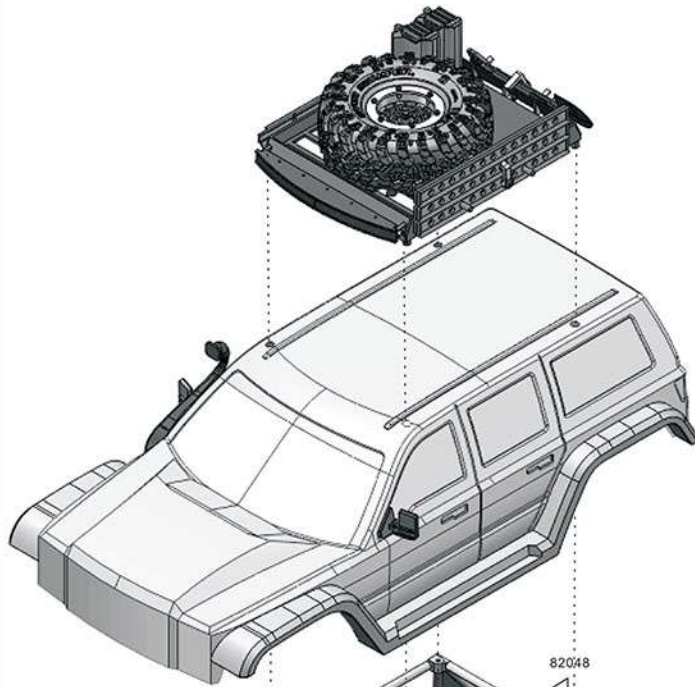
**NOTE:** See diagrams below. Only install screws into the holes indicated by the CIRCLES at this time. The holes indicated by the SQUARES, are where the Roll Cage will be installed in the next step.



3. Insert the Roll Cage inside the body as shown.
4. Install the 6 screws that secure the Roll Cage to the Fender Flares, lining up the 6 (square) mounting points of the Roll Cage with the 3 (square) mounting points on each Fender Flare.

**NOTE: The two longer screws are used at the rear of the Roll Cage.**

5. Place the Roof Rack onto the roof of the vehicle and insert 4 screws (from inside the body) through the Roll Cage - through the Body - into the Roof Rack.

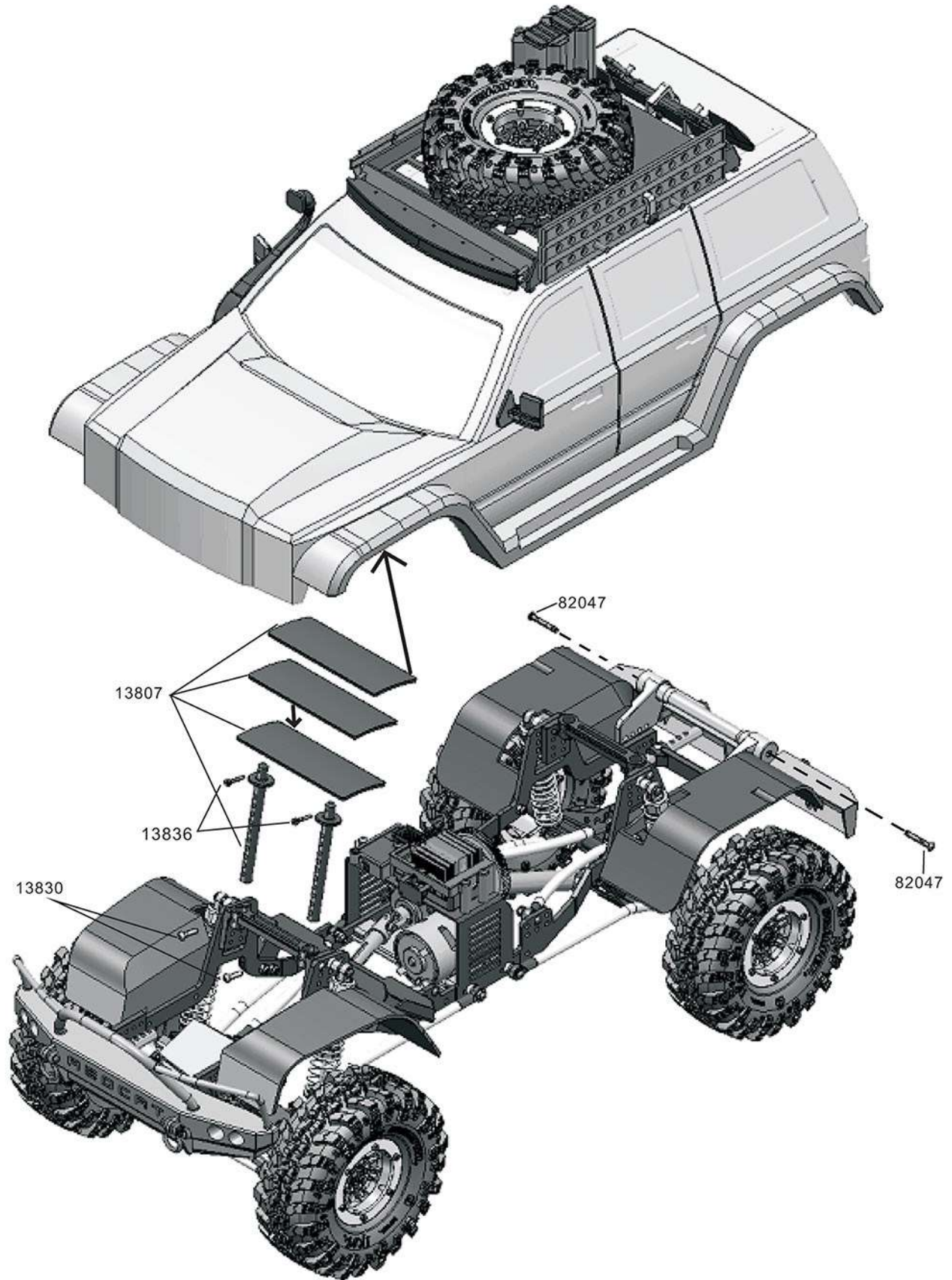






# EXPLODED VIEWS

## BODY / INSTALLATION (PRO):





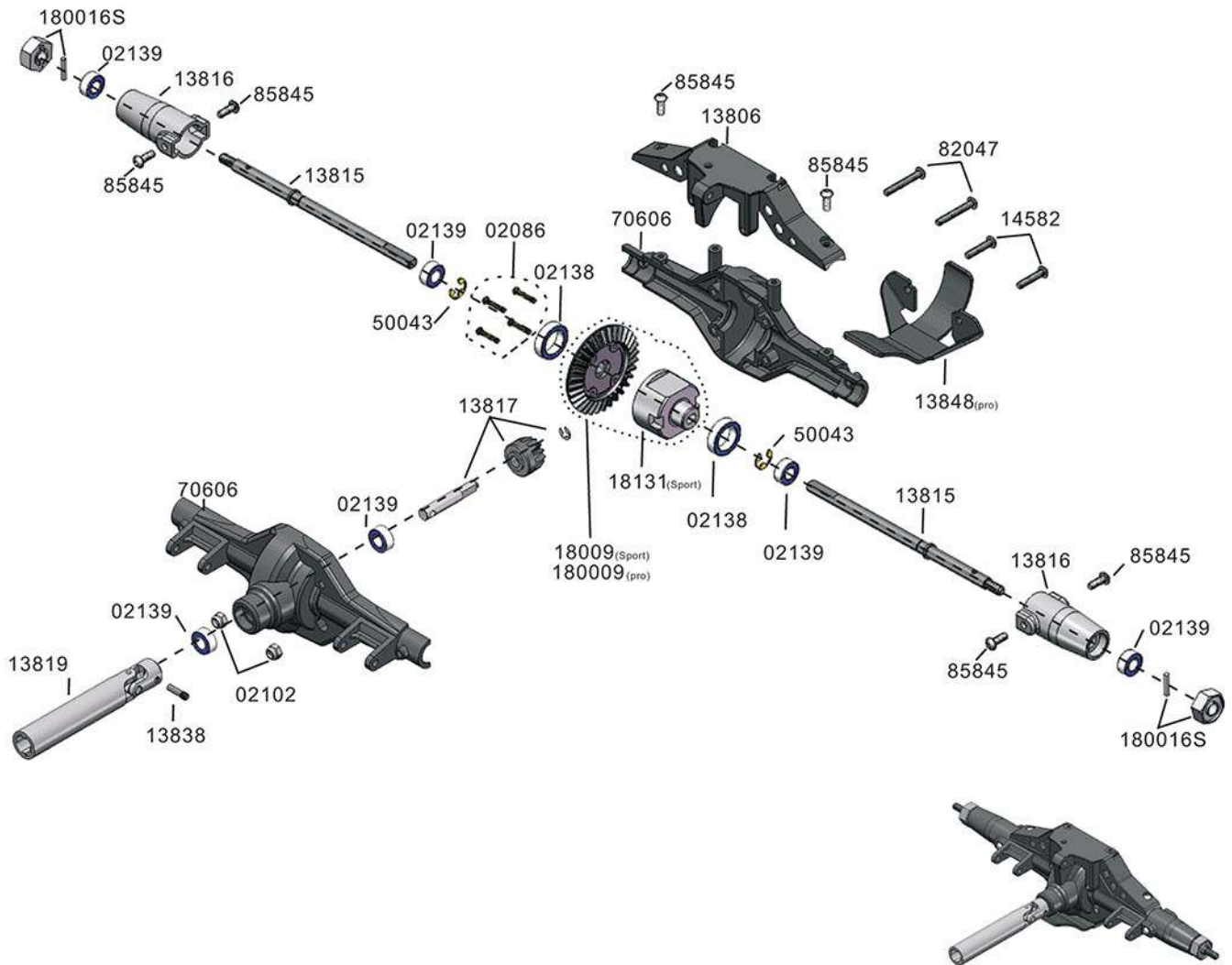




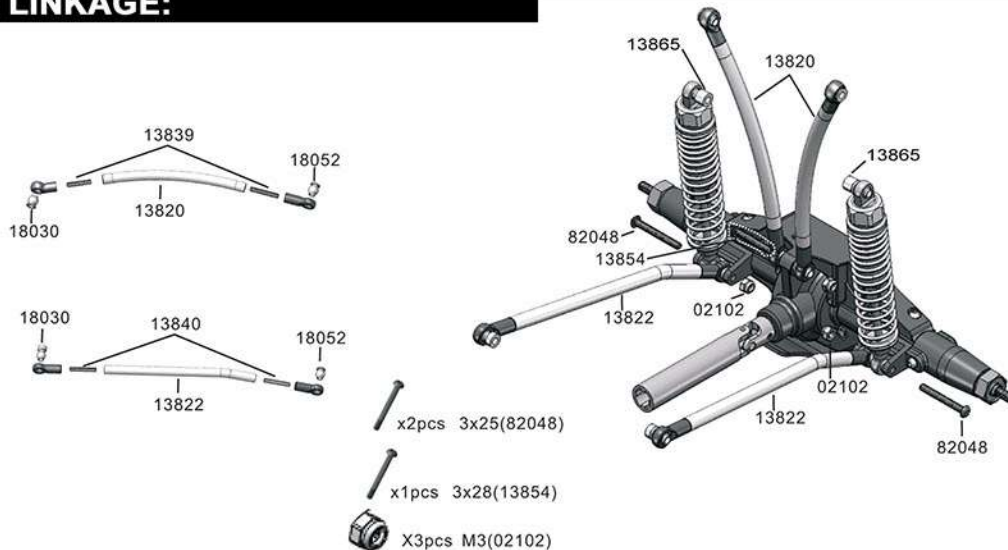


# EXPLODED VIEWS

## REAR AXLE ASSEMBLY:



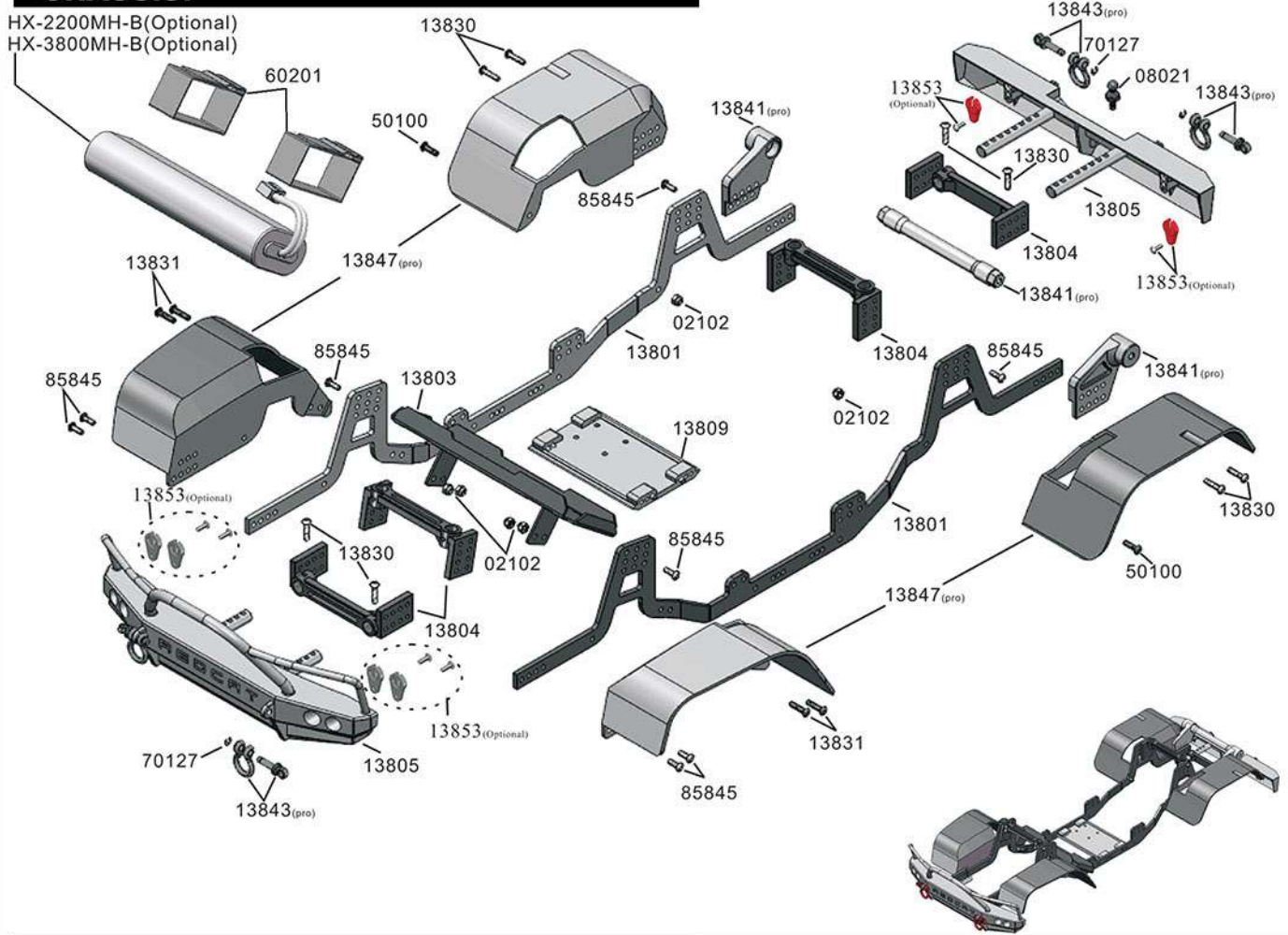
## SHOCKS / LINKAGE:



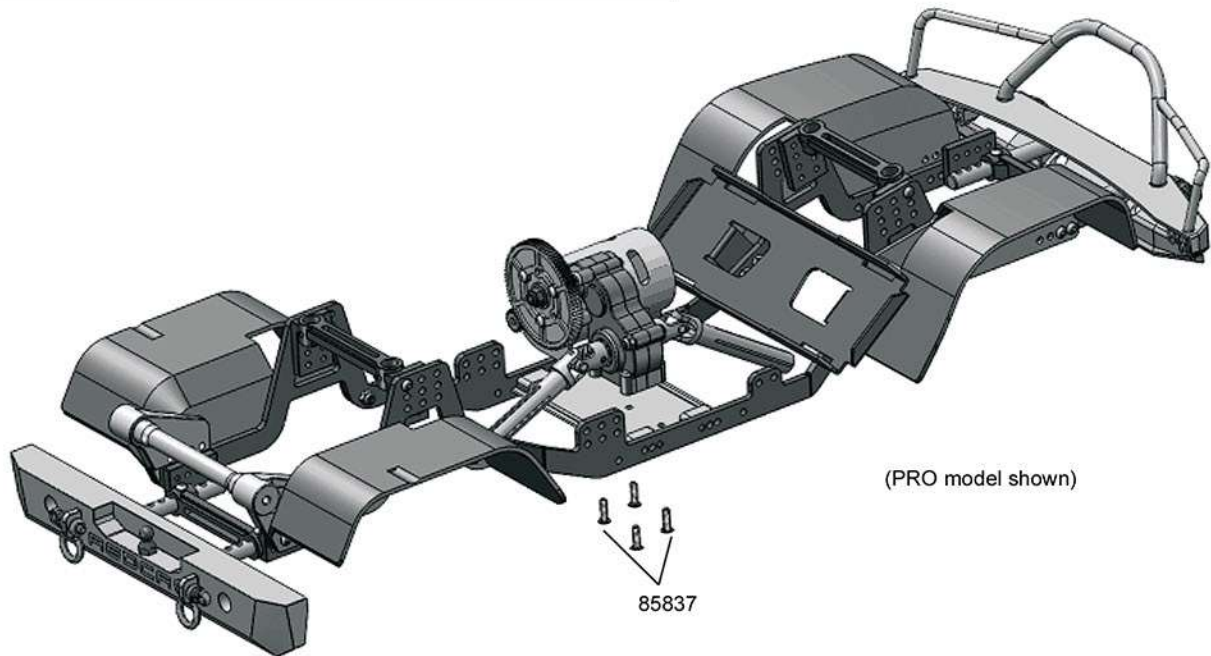
# EXPLODED VIEWS

## CHASSIS:

HX-2200MH-B(Optional)  
HX-3800MH-B(Optional)



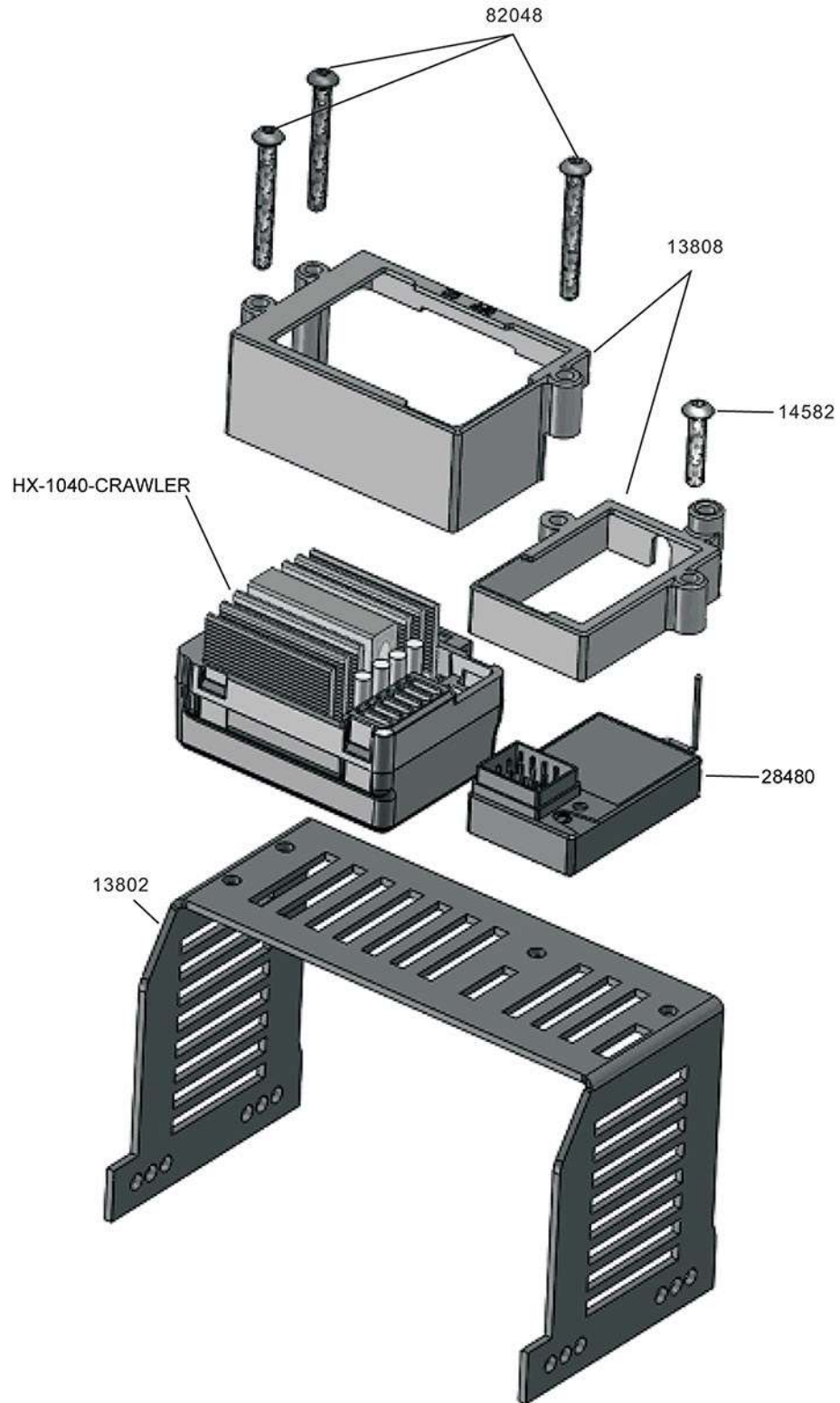
## GEAR BOX INSTALLATION:





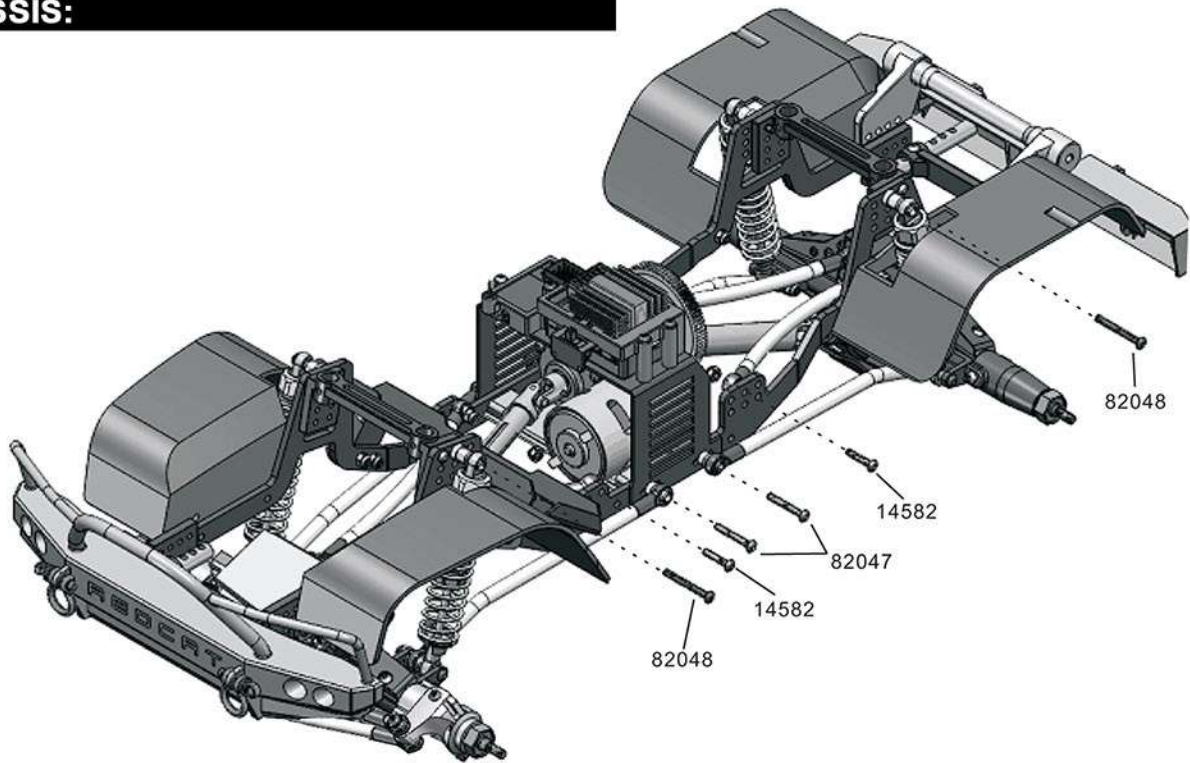
# EXPLODED VIEWS

## ELECTRONICS MOUNTING:

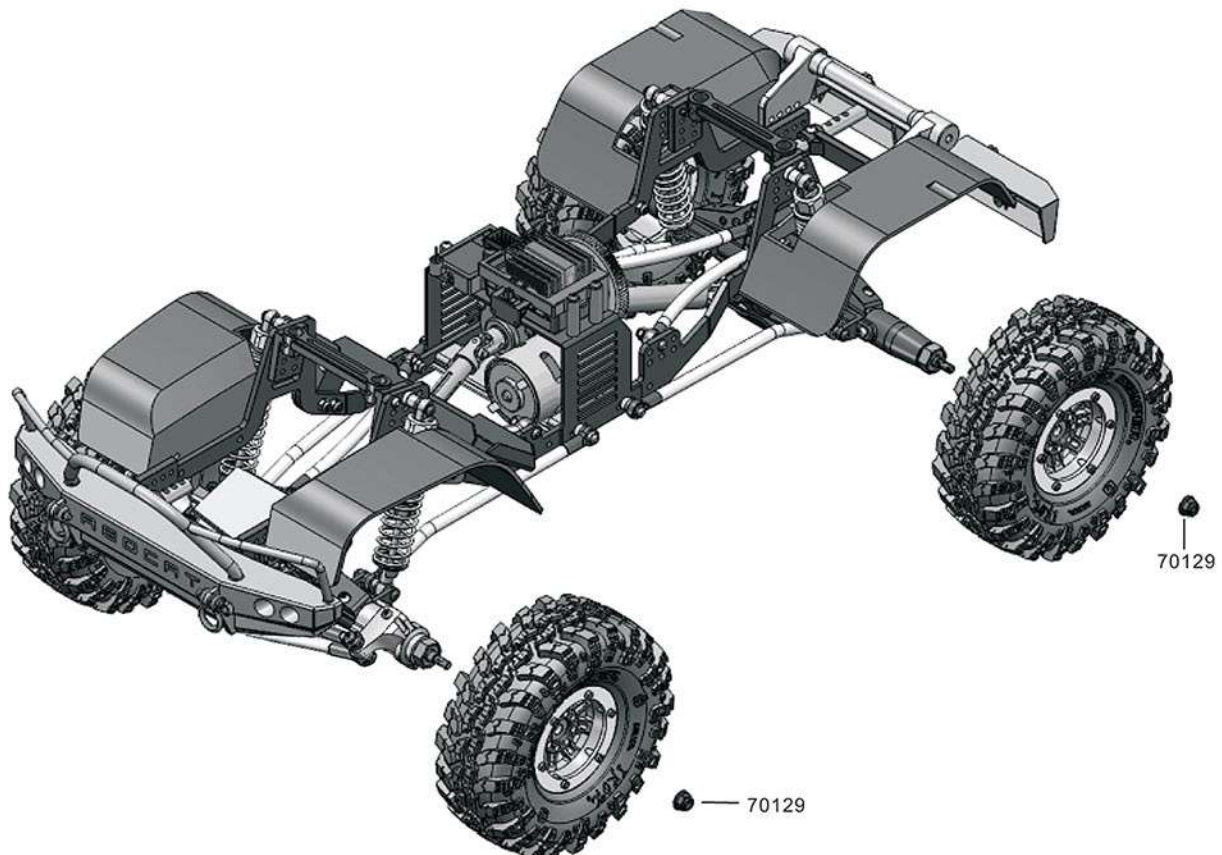


# EXPLODED VIEWS

## CHASSIS:



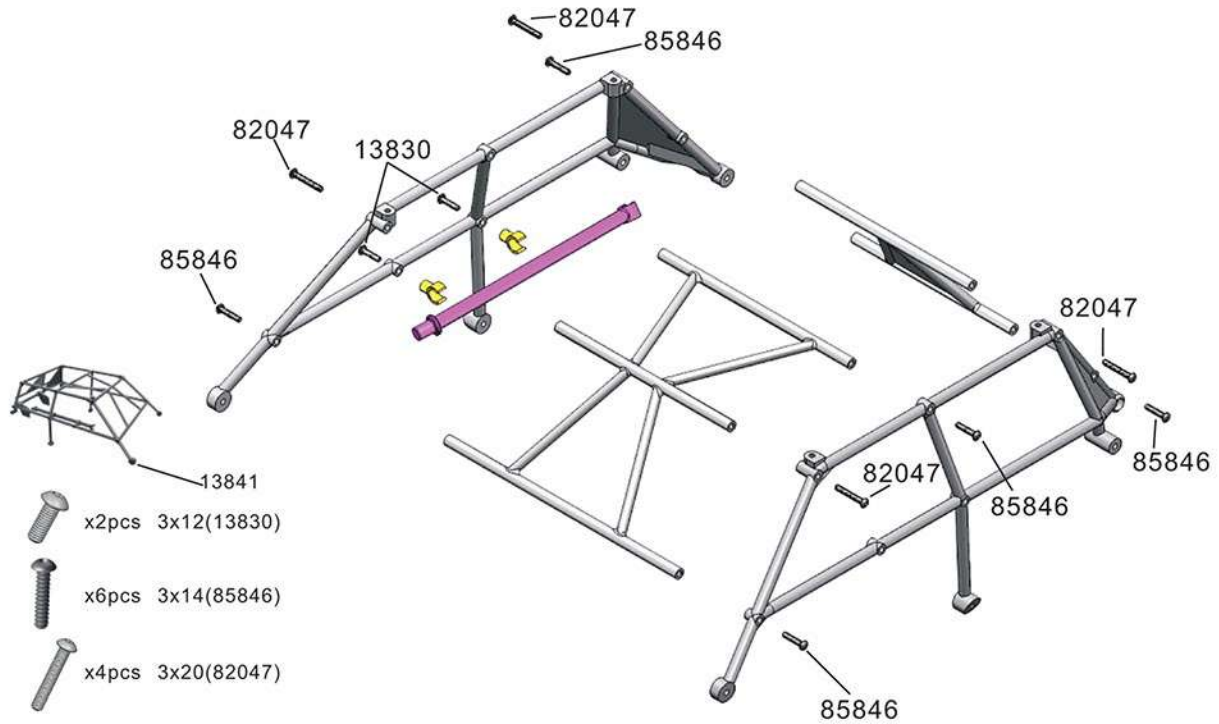
## TIRE INSTALLATION:



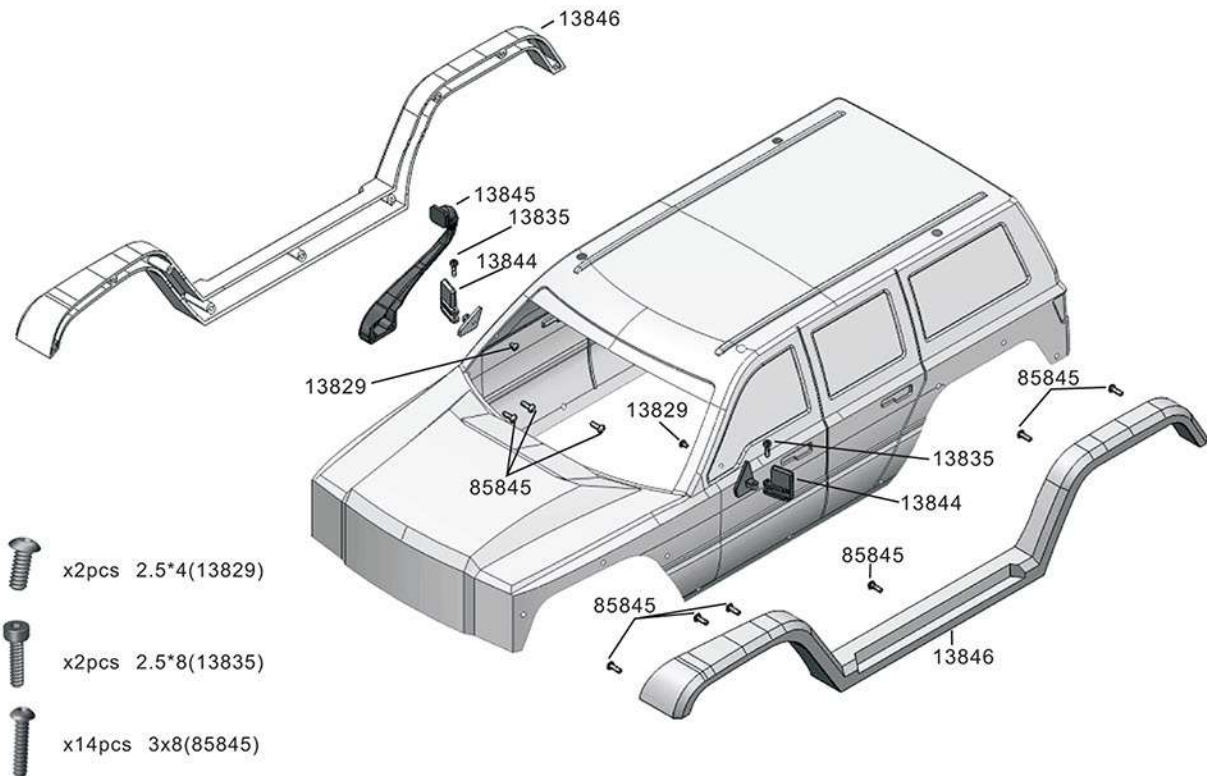


# EXPLODED VIEWS

## ROLL CAGE (PRO):

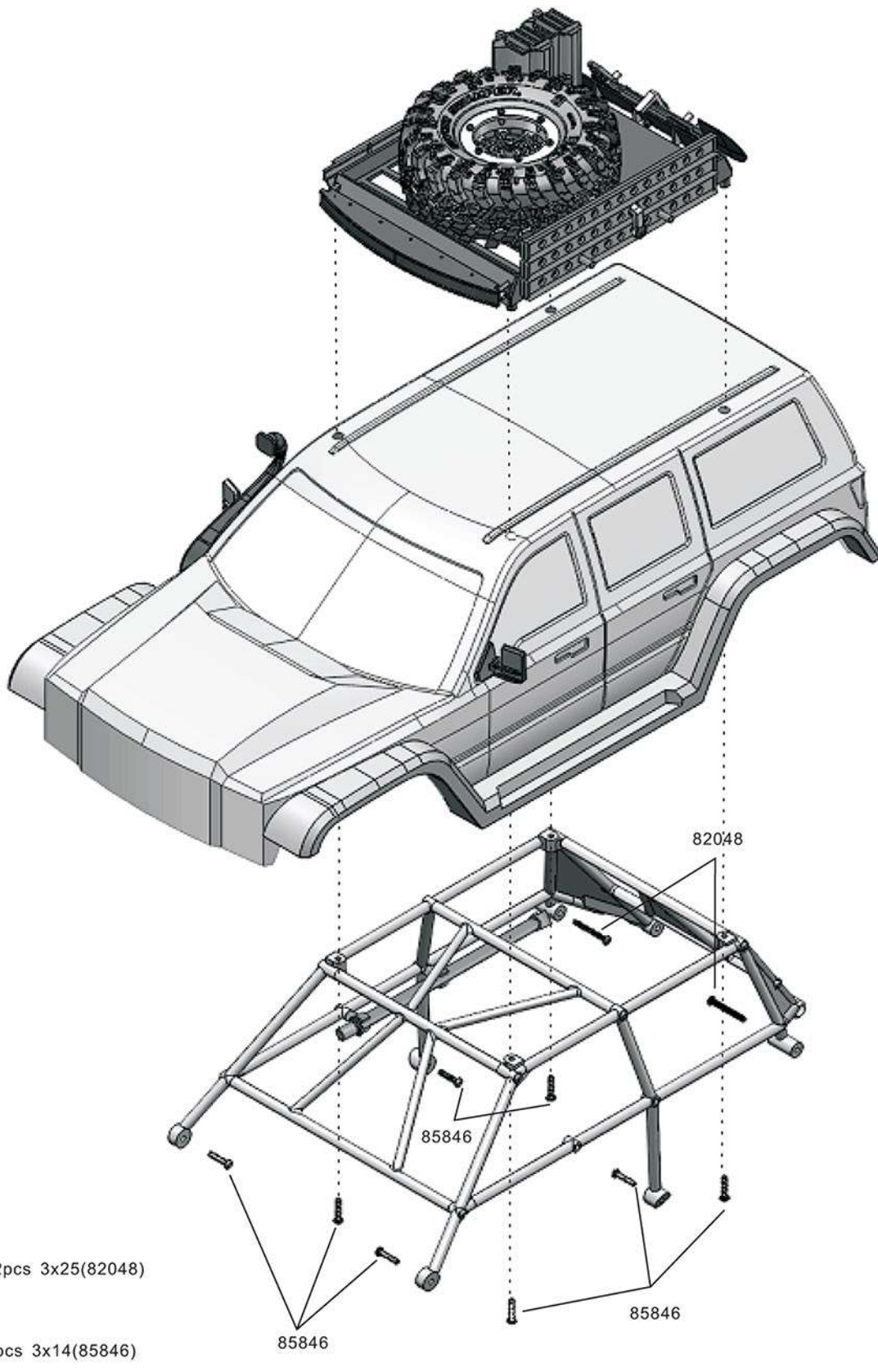


## BODY ACCESSORIES (PRO):



# EXPLODED VIEWS

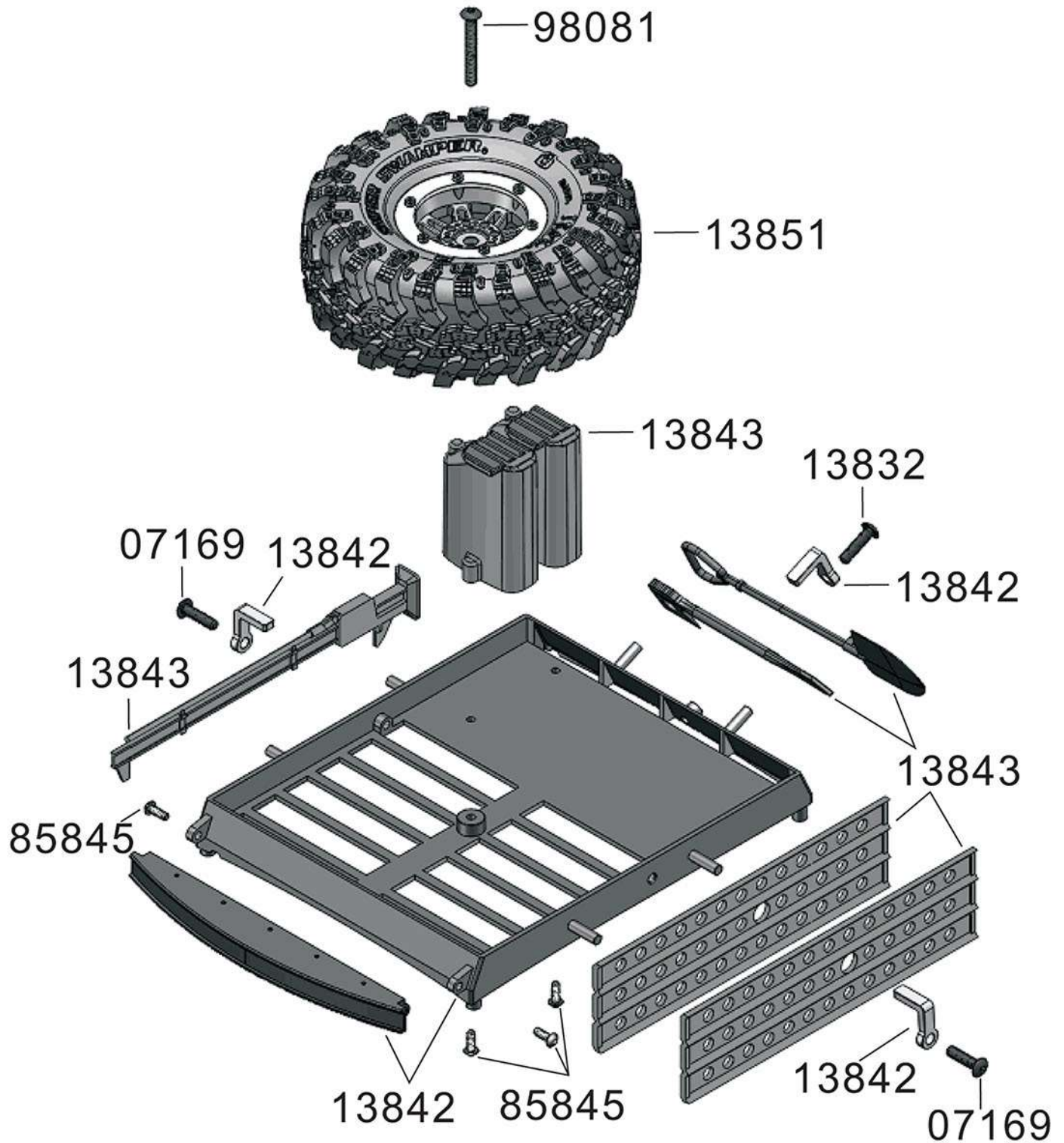
## ROOF RACK / INSTALLATION (PRO):





## EXPLODED VIEWS

## ROOF RACK / ACCESSORIES (PRO):



# PARTS











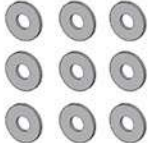



















## SPARE PARTS:

<p>13801 - Chassis Main Frame</p> 	<p>13802 - ESC Mount</p> 	<p>13803 - Battery Holder Set</p> 	<p>70606 - Front/Rear Gearbox Housing</p> 	<p>13804 - Bumper Mount</p> 
<p>13805 - Bumper Set</p> 	<p>13806 - Chassis Plate</p> 	<p>13807 - Body Mount Set</p> 	<p>13808 - ESC &amp; Receiver Mount</p> 	<p>13860 - Steering Knuckle (L/R)</p> 
<p>18195 - Caster Mounts (L/R) (2pc)</p> 	<p>08021-Shock Ball Head</p> 	<p>18130 - Center Gearbox Housing</p> 	<p>13809 - Skid Plate</p> 	<p>13815 - Rear Axles (L/R) 2P</p> 
<p>13810 - Wheels (2pc)</p> 	<p>13814 - Servo Plate W/ Servo Mount</p> 	<p>13816 - Rear Shaft Mount</p> 	<p>13813 - Secure Ring</p> 	<p>60201 - Battery Strap (250mm)</p> 
<p>13817 - Drive Gear</p> 	<p>13818 - -Transmission Gear Hardware Set (Shaft &amp; Pin)</p> 	<p>60161 - Motor Pinion Gear (18T)</p> 	<p>13819 - Universal Drive Shaft</p> 	<p>13820 - Center Linkage</p> 
<p>13873 - 1x Curved Servo Linkage + 1x 39mm Servo Linkage</p> 	<p>13822 - Side Linkage</p> 	<p>13838 - Hexagon Headless Chamfered end Machine Screw 3*10 8P</p> 	<p>18128 - Main Gear (87T)</p> 	<p>18129 - Transmission Gear Set(20T+28T+53T)</p> 
<p>13824 - Center Gearbox Set</p> 	<p>60298 - Servo Horn</p> 	<p>18155-Aluminum Motor Mount With Mounting Bushing</p> 	<p>13837 -Gasket (6.8*5*2)</p> 	<p>18005 - King Pin Bushing 8P</p> 












# PARTS

## SPARE PARTS:

<p>02138 - Ball Bearing φ15*φ10*φ4</p> 	<p>02139 - Ball Bearing φ10*φ5*φ4</p> 	<p>180016S -Wheel Hex. W/Pins(2*10)</p> 	<p>18052 - Ball Stand φ5.9 (Short) 8P</p> 	<p>13865- Rod end Ball φ5.9 (XL) 8P</p> 
<p>18030 - Rod end Ball φ5.9 6P</p> 	<p>68037 - Grub Hex.Screw M4*3</p> 	<p>18038 -Nylon Nut M2.5</p> 	<p>02102-Nylon Nut M3</p> 	<p>70129- Flange M4 Lock Nut</p> 
<p>50078 - Servo Washers φ3*8*0.8mm</p> 	<p>13829 - Hexagon Pan Head Self-Tapping Screw 2.5*4 6P</p> 	<p>85845 - Cap Head Hex Self-Tapping Screw 3*8 4P</p> 	<p>86074 - Cap Head Hex Self-Tapping Screw 3*10 4P</p> 	<p>13830 - Hexagon Pan Head Self-Tapping Screw 3*12 10P</p> 
<p>85846 - Cap Head Hex Self-Tapping Screw 3*14 4P</p> 	<p>82045 - Button Head Screw3*8 8P</p> 	<p>50100 -Button Head Screw3*10 8P</p> 	<p>13831 - Hexagon Pan Head Machine Screw 3*12 4P</p> 	<p>14582 - Button Head Screw3*14 10P</p> 
<p>82046 - Button Head Screw3*18 8P</p> 	<p>82047 - Button Head Screw3*20 8P</p> 	<p>82048 - Button Head Screw3*25 8P</p> 	<p>13854 - Button Head Screw3*28</p> 	<p>13832 - Hexagon Pan Head Machine Screw 4*8 4P</p> 
<p>07169 - Hexagon Pan Head Machine Screw 4*16 4P</p> 	<p>98081 - Hexagon Pan Head Machine Screw 4*20 4P</p> 	<p>85837 - Flat Head Hex Self-Tapping Screws 3*10 12P</p> 	<p>13834 - Hexagon Cylindrical Head Screw 2*8 12P</p> 	<p>02086-Round Head Self-Tapping Screw 2*10 10P</p> 

# PARTS

## SPARE PARTS:

<p>13835 - Hexagon Cylindrical Head Self Tapping Screw 2.5*8 6P</p> 	<p>13836 - Hexagon Cylindrical Head Self Tapping Screw 2*12 6P</p> 	<p>70548-Cap Head Hex Machine Screw 3*22 4P</p> 	<p>13839 - Hexagon Headless Chamfered end Machine Screw 3*15 8P</p> 	<p>13840 - Hexagon Headless Chamfered end Machine Screw 3*18 8P</p> 
<p>70127-2.5mm E-Clip (10pcs)</p> 	<p>50043 - 4mm E-Clips (8pcs)</p> 	<p>02053-Body Clip(8pcs)</p> 	<p>13827 - Body Shell V1-S (Silver) V1-B(Black) V1-O(Orange) V1-G(Green) V1-C(Clear)</p>  <p>(Optional)</p>	

## ELECTRONICS:

<p>HX-1040-CRAWLER ESC</p> 	<p>13825 - Motor RC550-8517</p> 	<p>HX-15CS- Servo 15KG</p> 	<p>RCR-2CENR- Radio</p> 	<p>28480- Receiver</p> 
<p>HX-01003B - Charger</p> 				

## SPORT MODEL SPECIFIC PARTS:

<p>08001S - Shock Absorber</p> 	<p>18131 - Solid Axle Hub</p> 	<p>13811 - Tires &amp; Sport Foams</p> 	<p>13812 - Pre-Mounted Sport Tire Set</p> 	<p>18009 - Diff w/gear</p> 
<p>70627 - Drive Shaft (L/R) 2pcs</p> 	<p>13857 - Drive Shaft Joint cup 2pcs</p> 			



# PARTS

## PRO MODEL SPECIFIC PARTS:

13841 - Roll Cage Assembly



13842 - Roof Rack & LED bar



13843 - Body Accessories



13844 - Side Mirrors



13845 - Snorkel



13846 - Plastic Fenders



13847 - Inner Fenders



13848 - Skid Plate (Axle Skid Plate F/R)



180009 - Connect Box (W/Gear 38T) (AL.)



13850 - Aluminum body shocks



13851 - Pre-Mounted Pro Tire Set



13852 - Tires & Pro Foams



13849 - Front CVA Shafts



# PARTS

## OPTION PARTS:

<p>706006 -Rear Straight Axle Cover(AL.)</p> 	<p>706010-Front Gear Box (Shell Only) AL.</p> 	<p>180090S - Aluminum High Steering Knuckles (L/R) w/ curved aluminum steering link and aluminum servo link</p> 	<p>180003S- Caster Mounts (L/R)(AL.) 2P</p> 	<p>138007 - Machined Aluminum Center Drive Shafts</p> 
<p>138006 - ESC &amp; Battery Mount (AL.)</p> 	<p>138001 - Chassis Plate (AL.)</p> 	<p>138002 - Skid Plate(AL.)</p> 	<p>138003 - Bumper Mount (AL.)</p> 	<p>138004 - Velcro Mount for body posts(Rear not installed Front installed) (AL.)</p> 
<p>138005 - Front/Rear Body Post(AL.)</p> 	<p>13853 - LED Light Clip (Optional)</p>  <p>Hex 2*6</p>	<p>13859 - Steel Transmission Gear Set</p> 	<p>HX-2200MH-B - NiMH (7.2v 2200mAh)</p> 	<p>HX-3800MH-B - NiMH (7.2V 3800mAh)</p> 





***REDCAT***

[www.redcatracing.com](http://www.redcatracing.com)

 Follow us on FaceBook: <https://www.facebook.com/RedcatRacing>

•To ensure that you are using the most recent version of this manual:  
[www.redcatracing.com/manuals/EVERESTGEN7MANUAL.pdf](http://www.redcatracing.com/manuals/EVERESTGEN7MANUAL.pdf)  
•To ensure that you have the most recent version of the Electronic Vehicles Manual:  
[www.redcatracing.com/manuals/ELECTRIC-MANUAL.pdf](http://www.redcatracing.com/manuals/ELECTRIC-MANUAL.pdf)