



REFLEX
OFF ROAD BUGGY **14B**

REFLEX
OFF ROAD TRUGGY **14T**

#20175 REFLEX 14B 4WD RTR
#20176 REFLEX 14T 4WD RTR

**BRUSHLESS
POWERED
READY-TO-RUN**

1:14 Scale 4WD Electric Off Road Buggy/Truggy RTR Manual & Catalog



CHAMPIONS *by* **DESIGN**
TeamAssociated.com

**TEAM
ASSOCIATED**

:: Introduction

Thank you for purchasing this Team Associated product. This assembly manual contains instructions and tips for building and maintaining your new vehicle. Please take a moment to read through the manual and familiarize yourself with the steps. We are continually changing and improving our designs; therefore, actual parts may appear slightly different than the illustrations. New parts will be noted on supplementary sheets located in the appropriate parts bags. Check each bag for these sheets before you start to build.

:: RC14B / 14T RTR Features

- 2.4GHz 2-channel radio system
- High-Torque Digital Servo with spring-style servo saver
- Powerful Reedy 4500kV Brushless Motor
- Water-resistant high-power Reedy brushless speed control with T-plug connector and LiPo low-voltage cutoff
- Three sealed differentials
- Threaded coil over shock absorbers
- Adjustable turnbuckles
- Adjustable inserts for caster blocks and rear hubs
- Aluminum steering rack
- Front universal driveshafts
- Sleek and stylish body
- Molded tub chassis with covered center driveshaft
- Aluminum center driveshaft

:: Table of Contents

1..... Cover	6 - 17.....Steps 1- 36
2..... Introduction	18.....Tuning Tips
3.....1:1 Hardware "Fold Out"	19 - 25..... Catalog
4 - 5..... Quick Start Guide	26..... Back Cover

:: Notes



There is a 1:1 hardware foldout page in the front of the manual. To check the size of a part, line up your hardware with the correct drawing until you find the exact size. Each part in the foldout has a number assigned to it for ordering replacement parts.



This symbol indicates a special note or instruction in the manual.

:: Additional

Your new Reflex 14B/14T RTR comes assembled. The following items are needed for completion

- 6-cell NiMh or 2 LiPo battery
- Suitable battery charger
- (4) AA batteries

Tools included: • Multi-wrench

:: Other Helpful Items

- Silicone Shock Fluid (Refer to catalog for complete listings)
- Silicone Diff Fluid (Refer to catalog for complete listings)
- Body Scissors (AE Part # 1737)
- Reamer / Hole Punch (#1499)
- Shock Pliers (#1675)
- Wire Cutters
- FT Hex/Nut Wrenches (AE Part # 1519)
- Needle Nose Pliers
- Hobby Knife
- Soldering Iron
- Calipers or a Precision Ruler
- Green Slime shock lube (AE Part # 1105)
- FT Dual Turnbuckle Wrench (#1114)
- FT Universal Tire Balancer (#1498)

Associated Electrics, Inc.
26021 Commercentre Dr.
Lake Forest, CA 92630



Customer Service
Tel: 949.544.7500
Fax: 949.544.7501

:: Hardware - 1:1 Scale View

Flat Head (fhcs)



2.5x10mm (31350)

Cap Head (shcs)



2.5x12mm (8691)

Ball Bearings



4x7x2.5mm (21512)



4x8x3mm (21512)



8x12x3.5mm (21512)

Flat Head (fhst)



2x8mm (21546)



2.6x8mm (21546)



2.6x10mm (21546)

Set Screws



3x2.5mm (31500)



3x3mm (25225)



3x8mm (4670)

Button Head (bhcs)



2.5x6mm (31520)

Nuts (lock/plain)



M2.5 Locknut (89215, 21546)



M4 Locknuts:

Serrated Steel (Silver) (91826)

Flanged (Black) (91148)

FT Aluminum (Blue) (31551)

Serrated Aluminum (Black) (91738)

Shims and Washers



2.7x6.7x0.5mm (21546)



4x8x0.5mm (21516)

Button Head (bhst)



2.6x6mm (21546)



2.6x8mm (21546)



2.6x10mm (21546)

Notes:

:: Quick Start Guide

Battery Charging Steps and Safety:

Remove the battery from the vehicle before charging.
Place battery on a fire resistant surface.
Avoid any contact with water or other liquids.
Be sure to select the correct charging mode for the type of battery you are charging.

ALWAYS use a compatible charger for charging your batteries.

Caution: Never leave the battery unattended while charging. Always disconnect the charger from the power source when finished charging.

Caution: Always disconnect the battery when you are finished driving the vehicle.



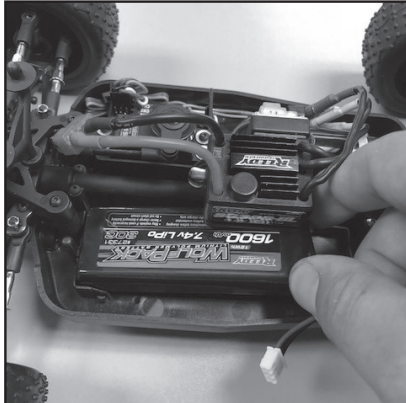
**Peak Detection
Quick Charger**

:: Quick Start Guide - (cont.)

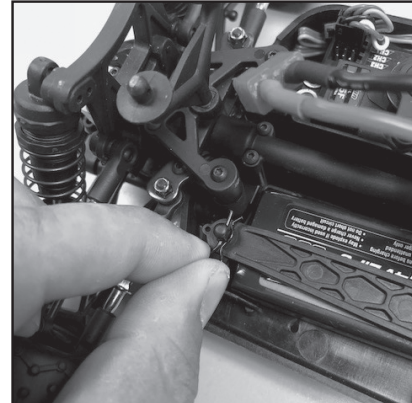
Battery Installation:

1. Install the battery with the battery wires directed towards the rear of the vehicle.
2. Secure the battery strap using two body clips.

1



2

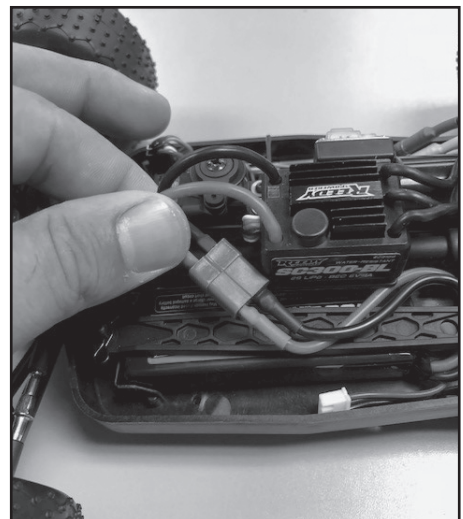


:: Quick Start Guide - (cont.)

Battery Notes and Tip:

Connect the battery as shown.
Disconnect the battery when not in use!

LiPo: LiPo batteries (lithium polymer) are high current rechargeable batteries. LiPo batteries offer extended run time and peak performance over NiMH batteries. They require a peak detection charger designed specifically for LiPo batteries. These batteries require special care and handling. LiPo batteries are recommended for advanced users only!
ALWAYS charge a LiPo battery in LiPo mode.



:: Quick Start Guide - (cont.)

Radio System Tuning and Controls:

RULE: Transmitter on First/Vehicle on Second,
Vehicle off First/ Transmitter off Last!

- 1) Slide the battery cover to remove cover.
- 2) Install alkaline or rechargeable AA size batteries into the battery holder.
- 3) Slide the battery cover back into place making sure it is completely closed and secure.
- 4) Turn the power ON. If the power indicator LED fails to light, check the batteries for insufficient contact or incorrect polarity.



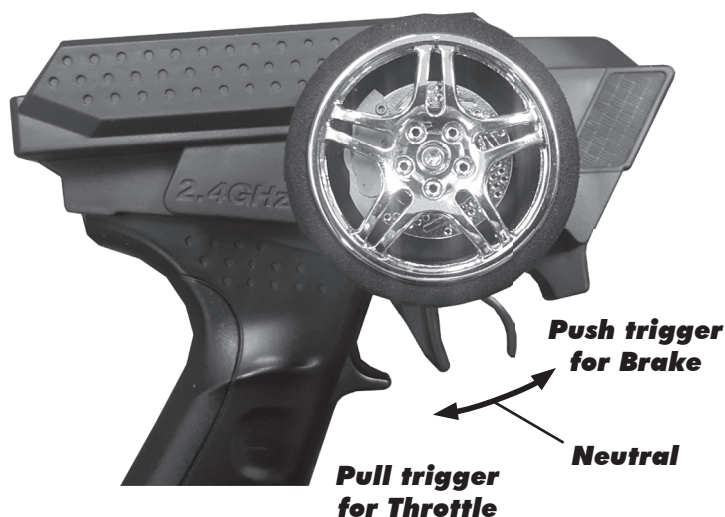
:: Quick Start Guide - (cont.)

Radio System Tuning and Controls:

DO NOT hold the trigger when turning on the radio.

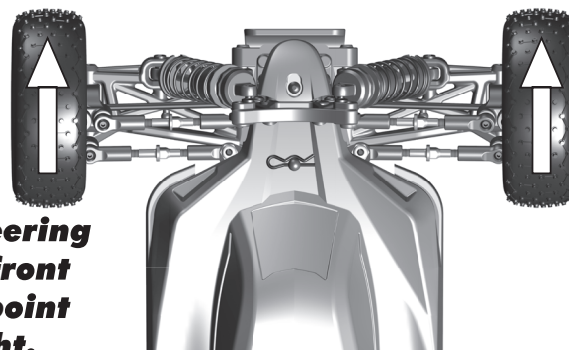
If using optional battery for transmitter, be sure to plug it in correctly. Plugging in a battery backwards can cause damage.

Refer to Radio owners manual for more in-depth instructions on radio operation and functions.



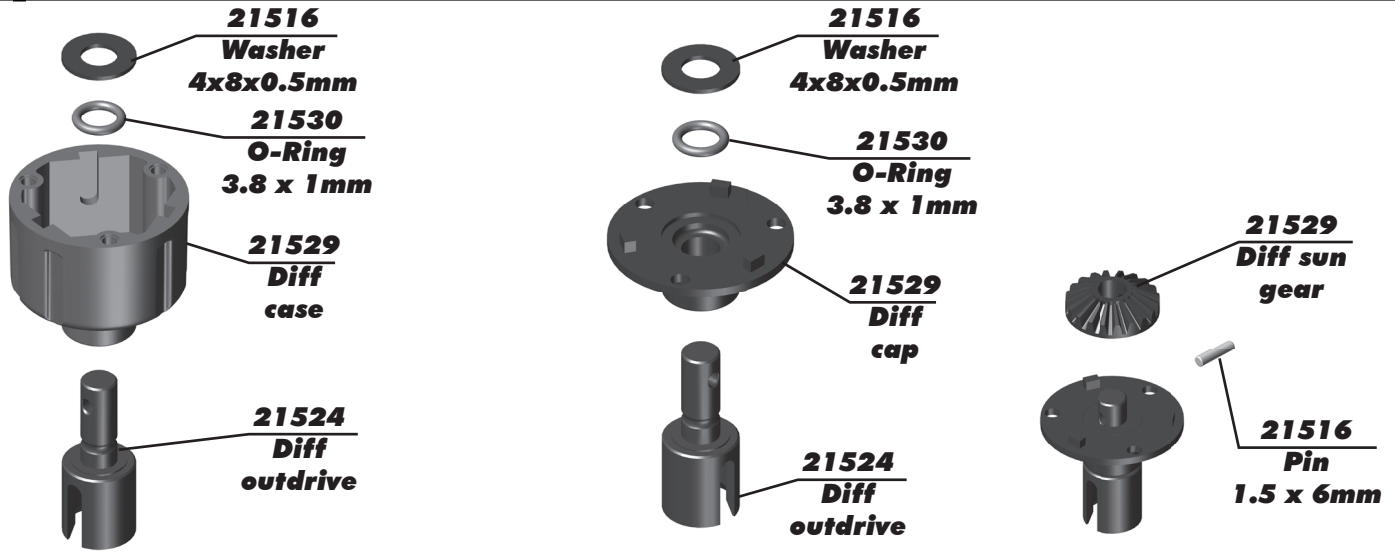
Throttle set to Neutral!

Adjust steering trim so front wheels point straight.

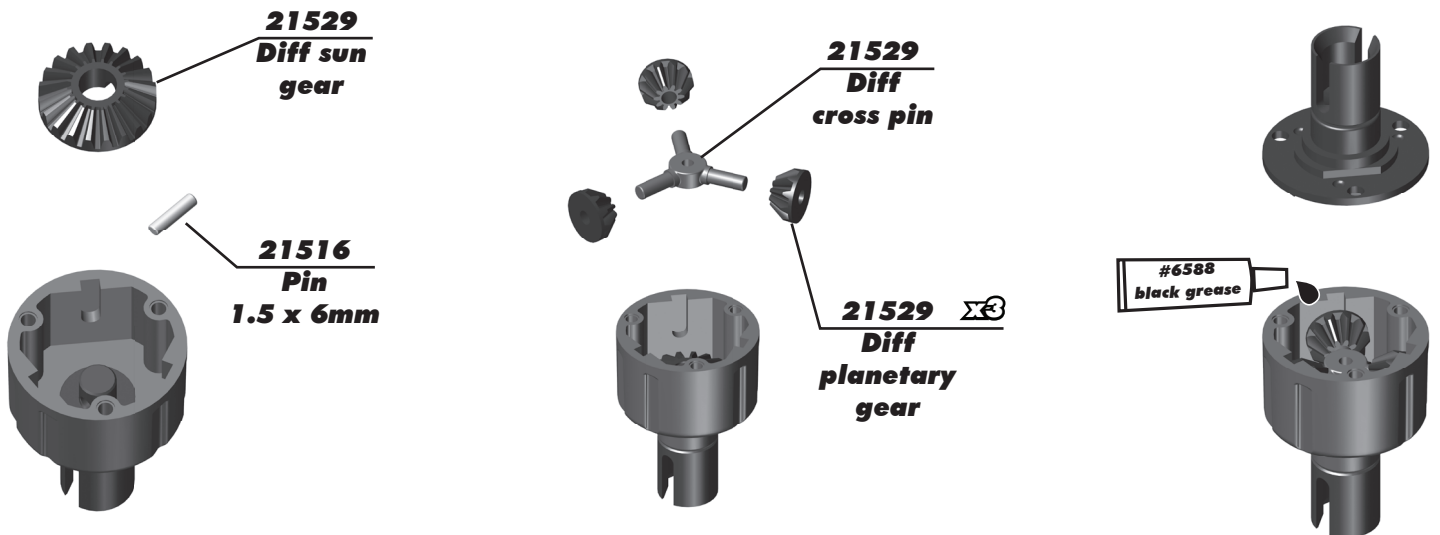


**Install body and body clips.
Ready to go!**

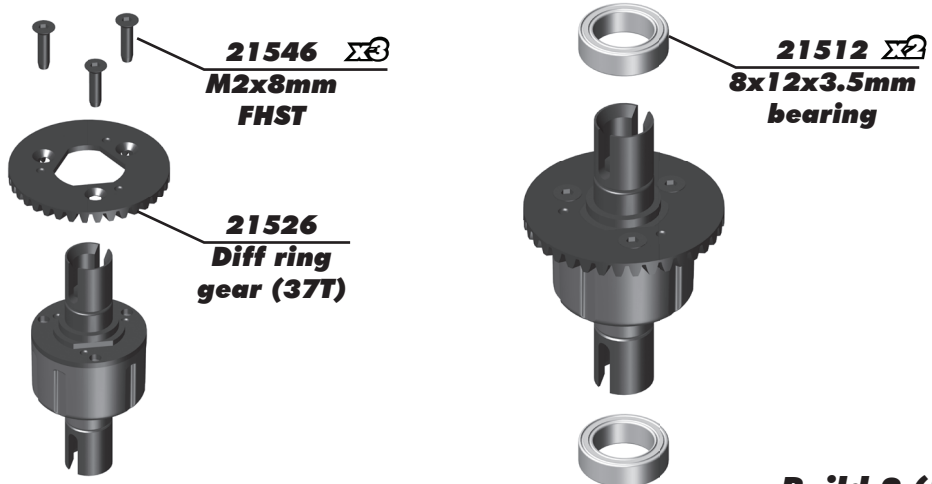
:: Step 1



:: Step 2

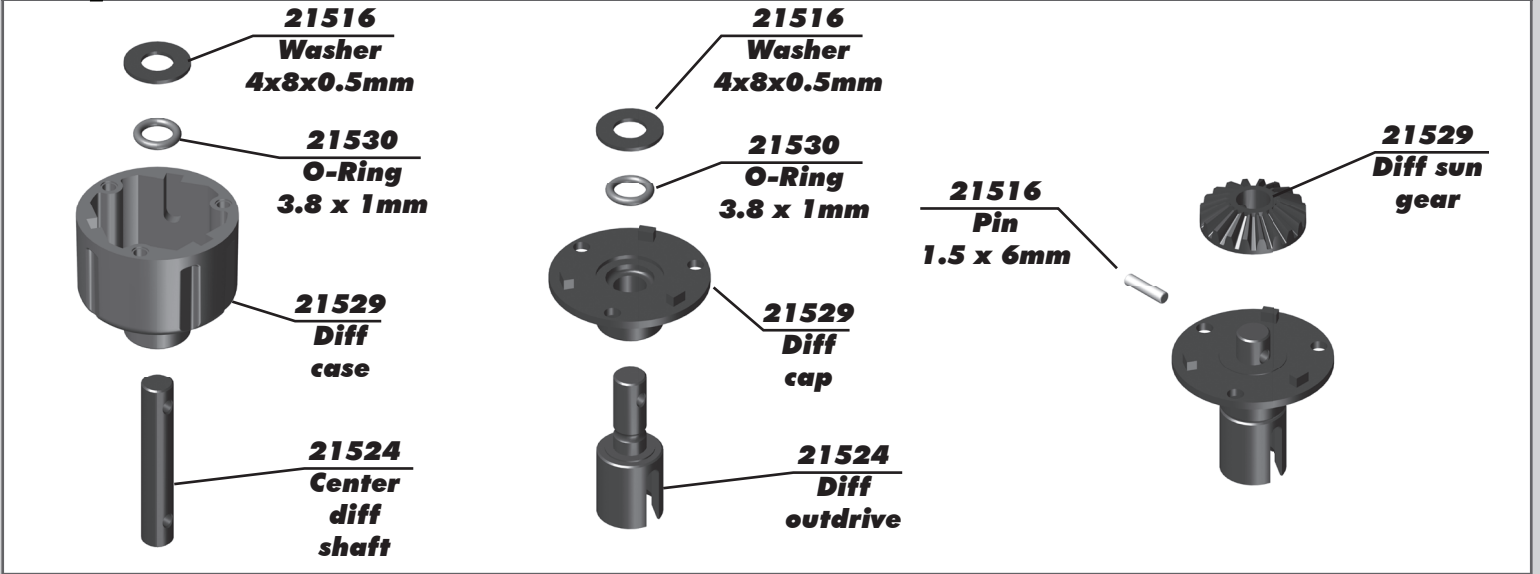


:: Step 3



Build 2 (1 front, 1 rear)

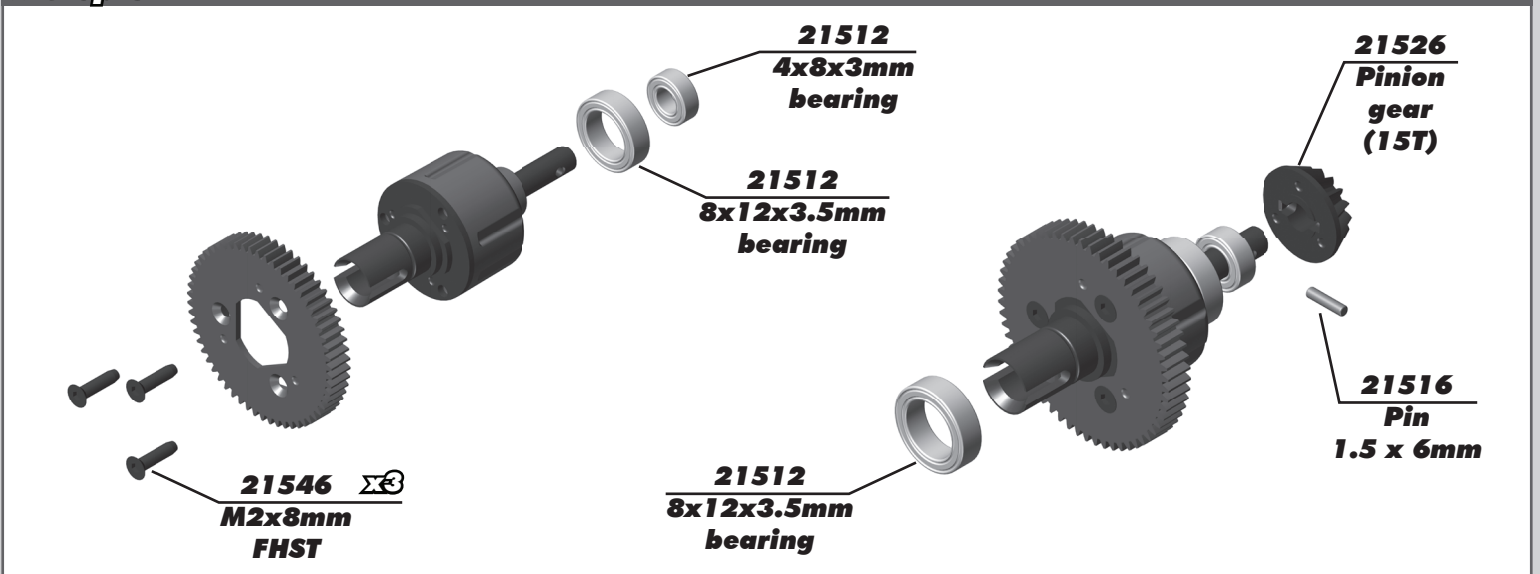
:: Step 4



:: Step 5



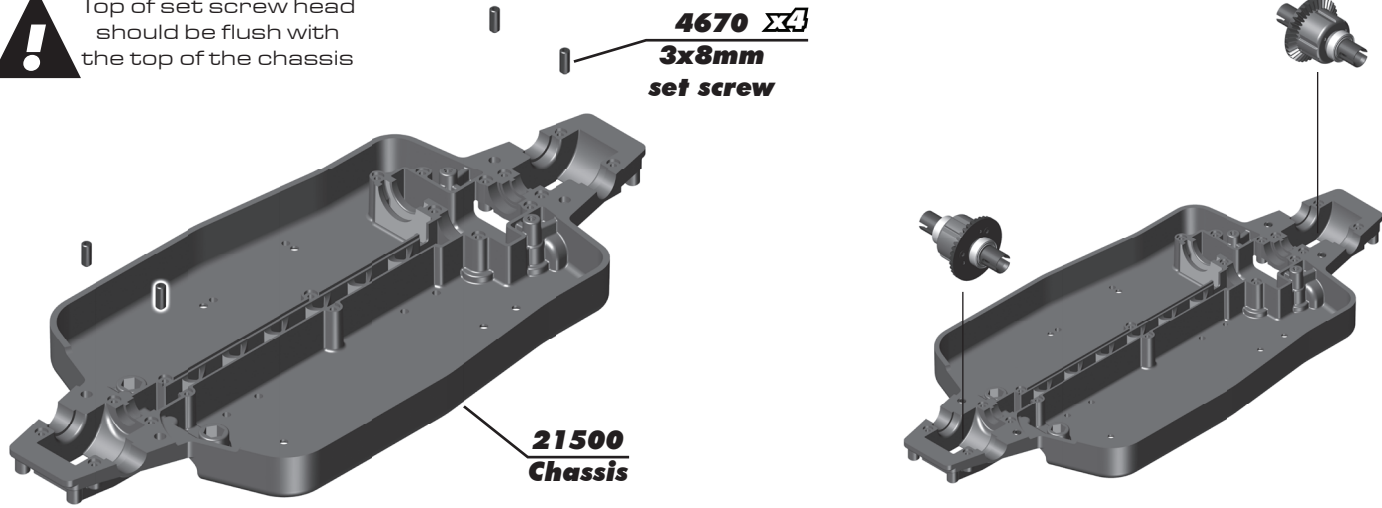
:: Step 6



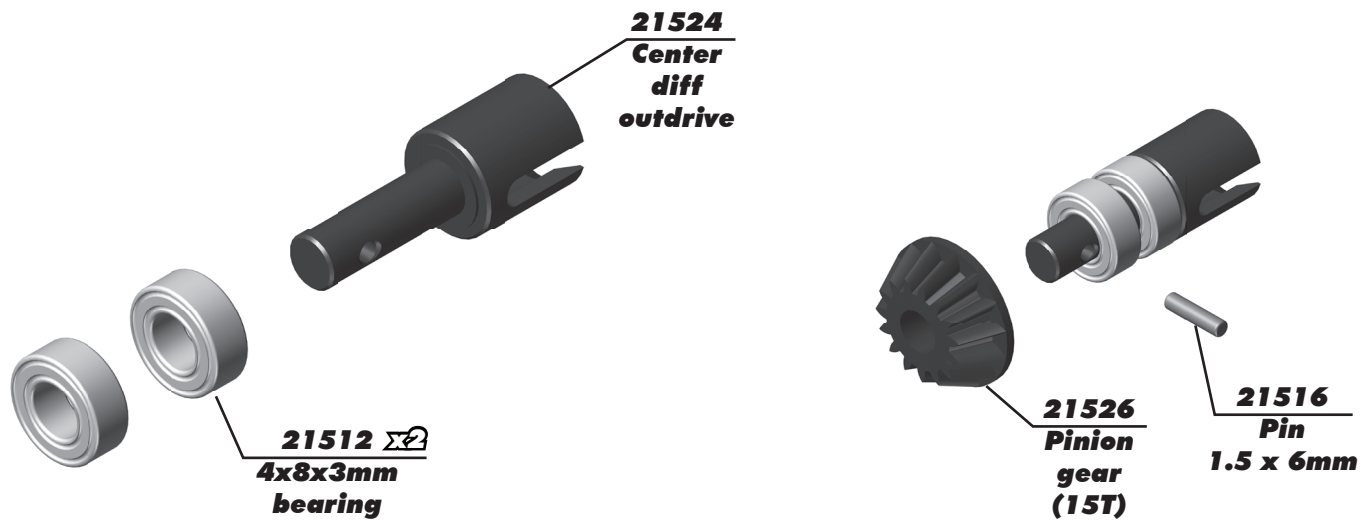
:: Step 7



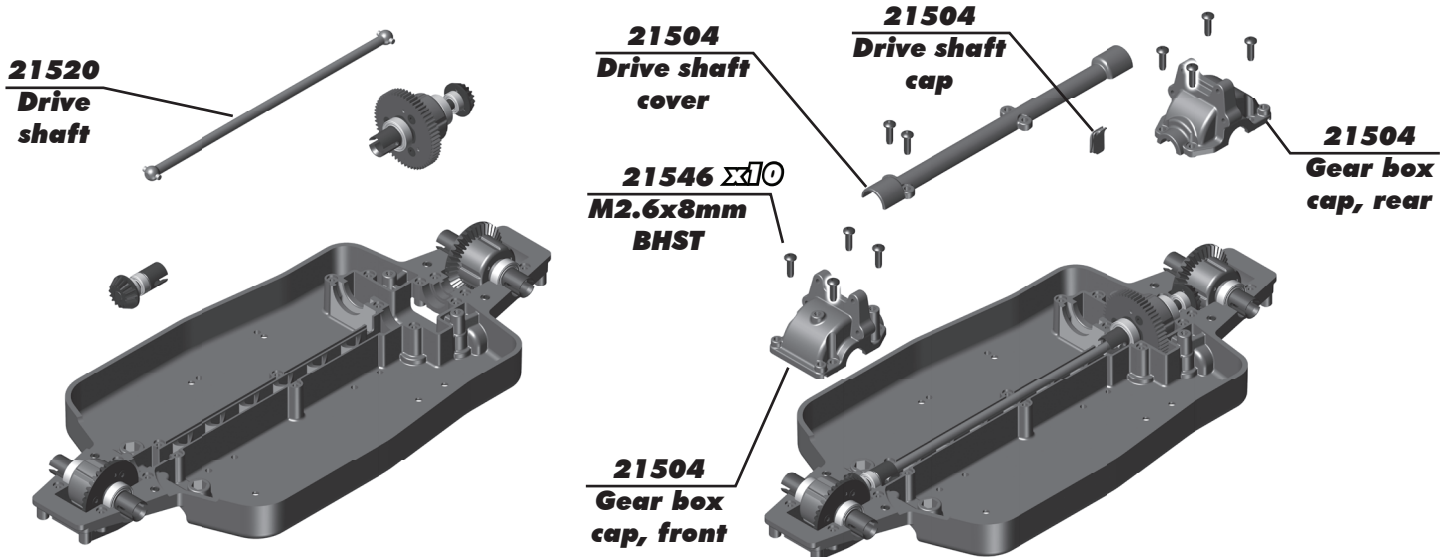
Top of set screw head should be flush with the top of the chassis



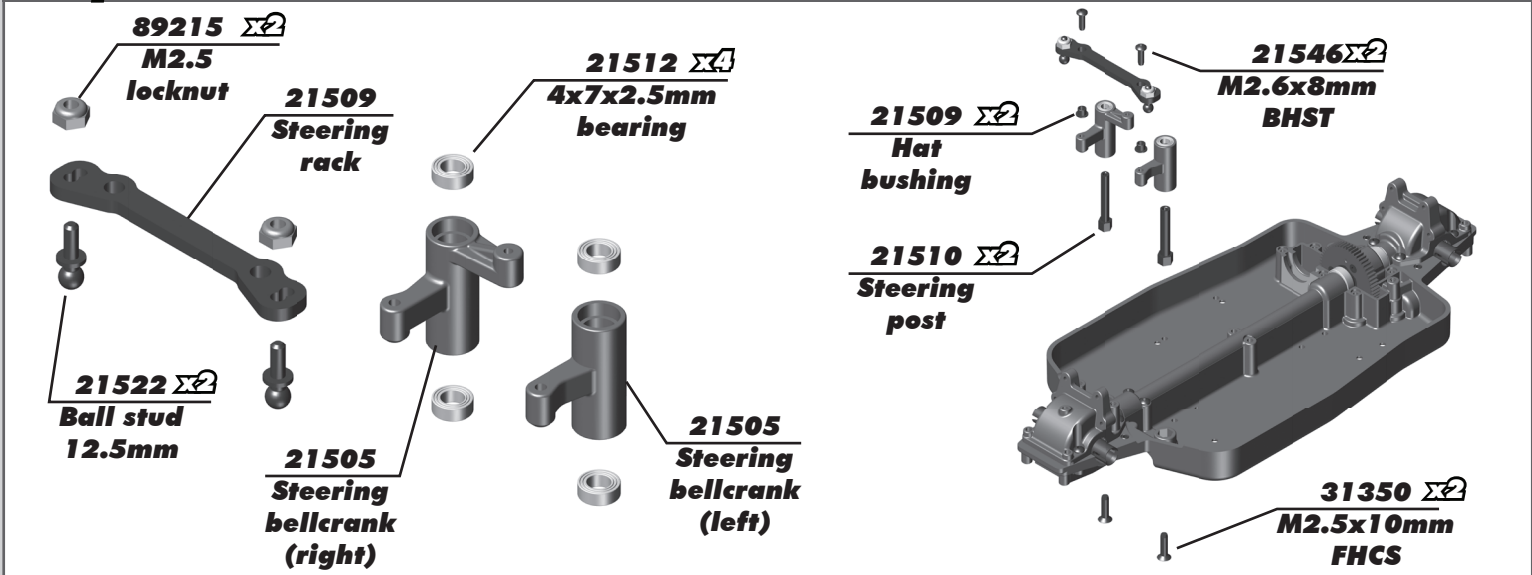
:: Step 8



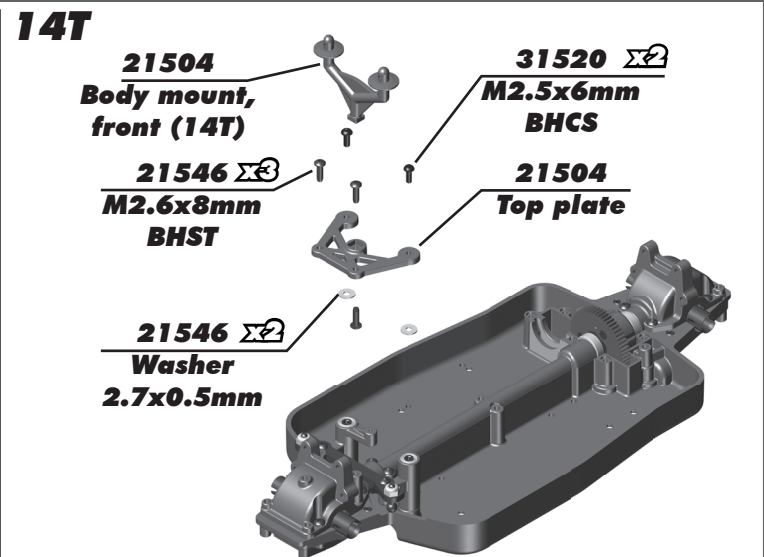
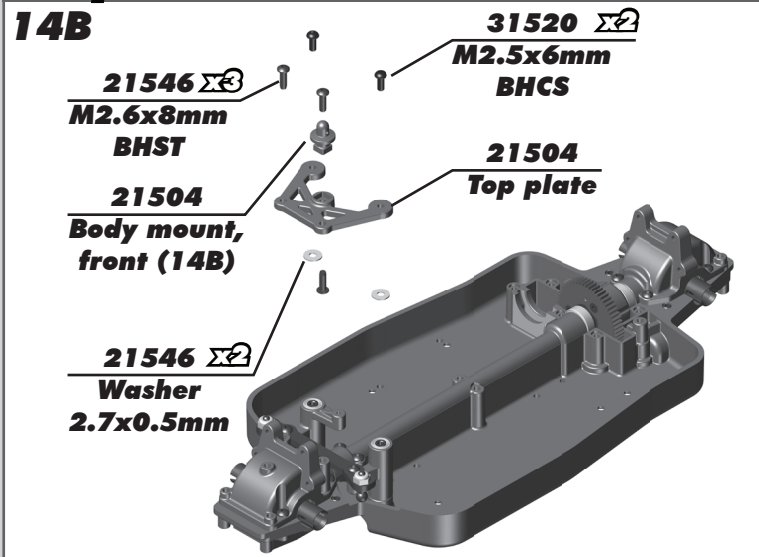
:: Step 9



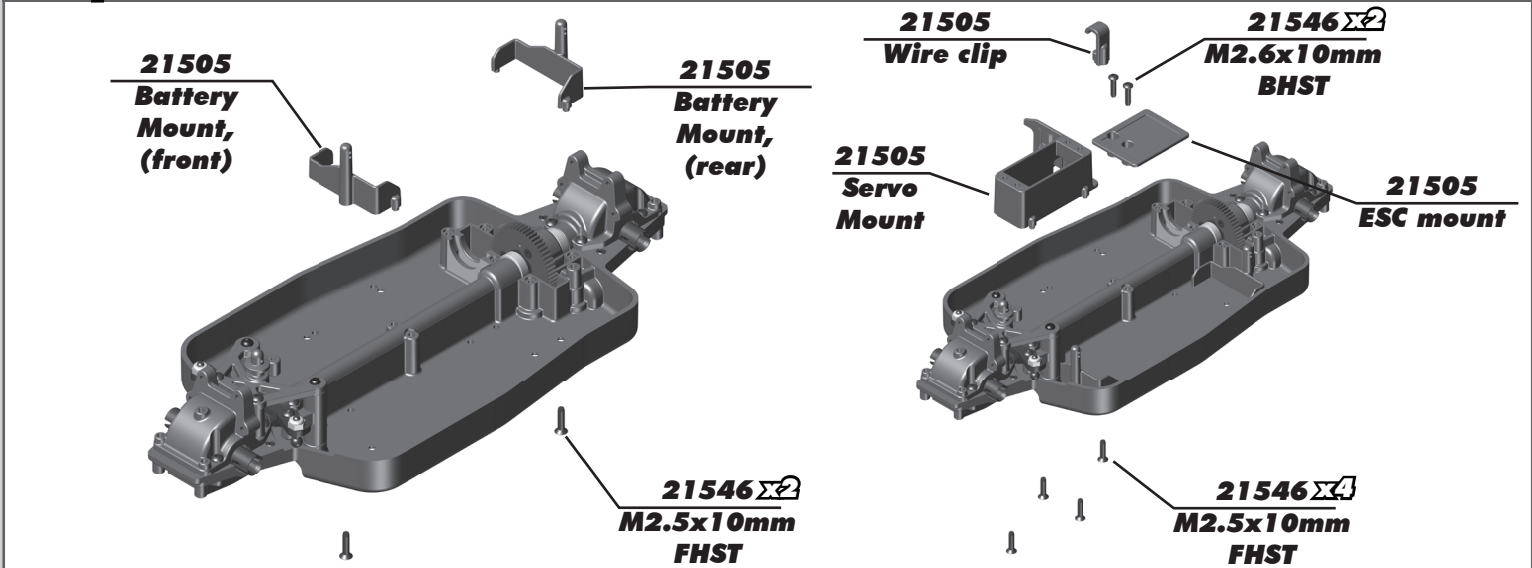
:: Step 10



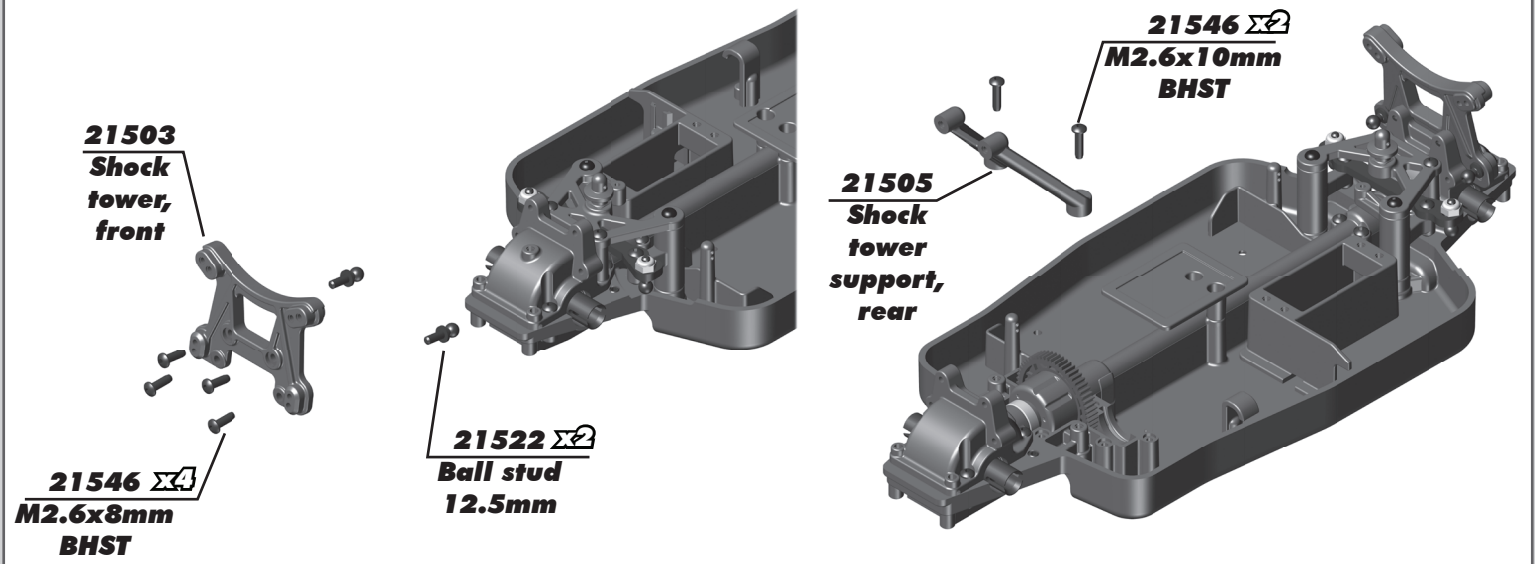
:: Step 11



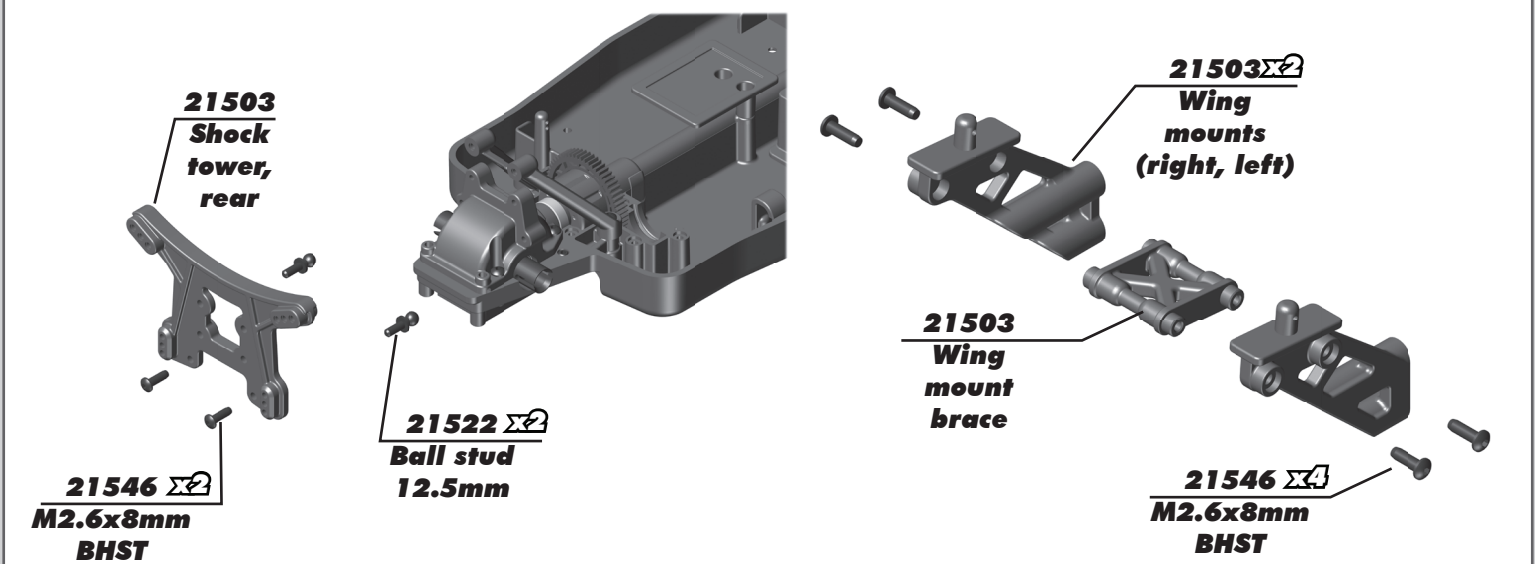
:: Step 12



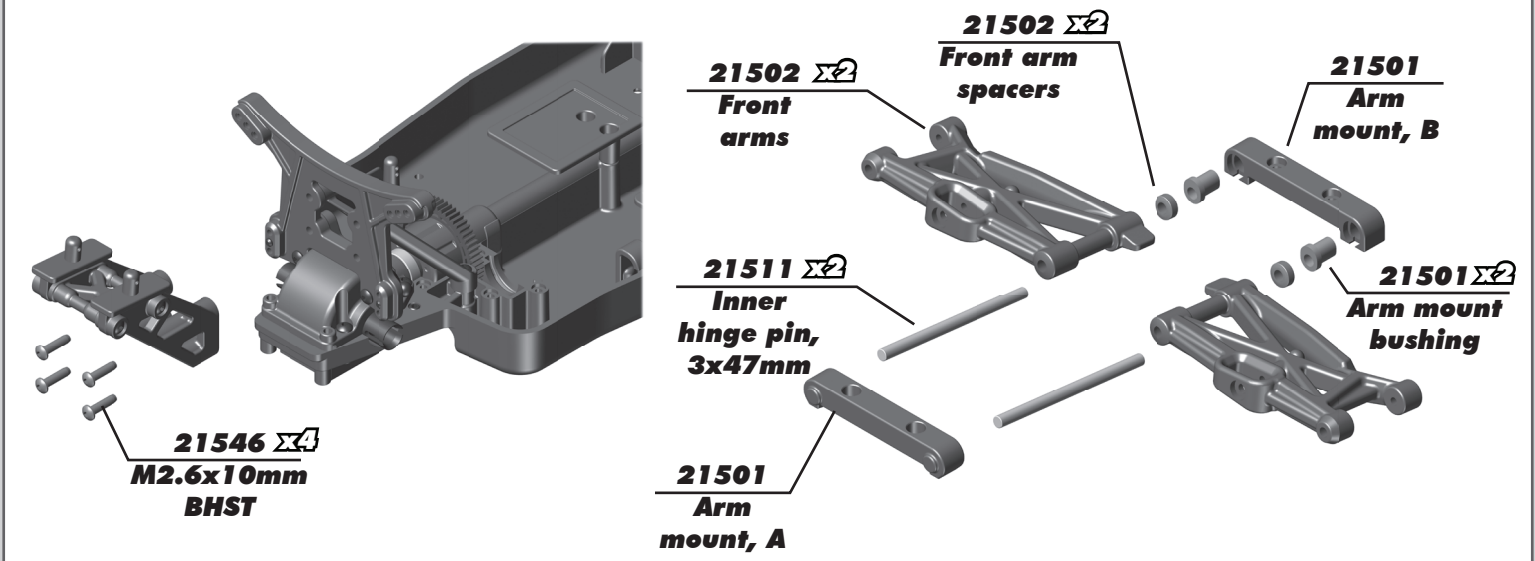
:: Step 13



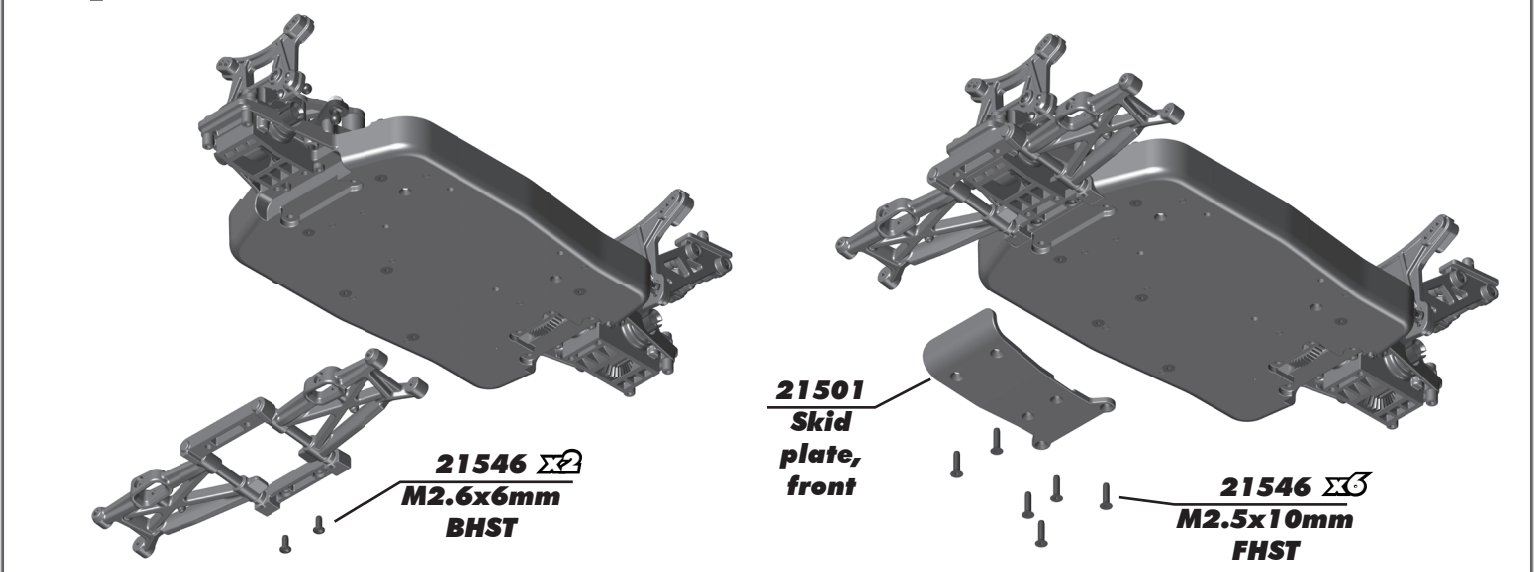
:: Step 14



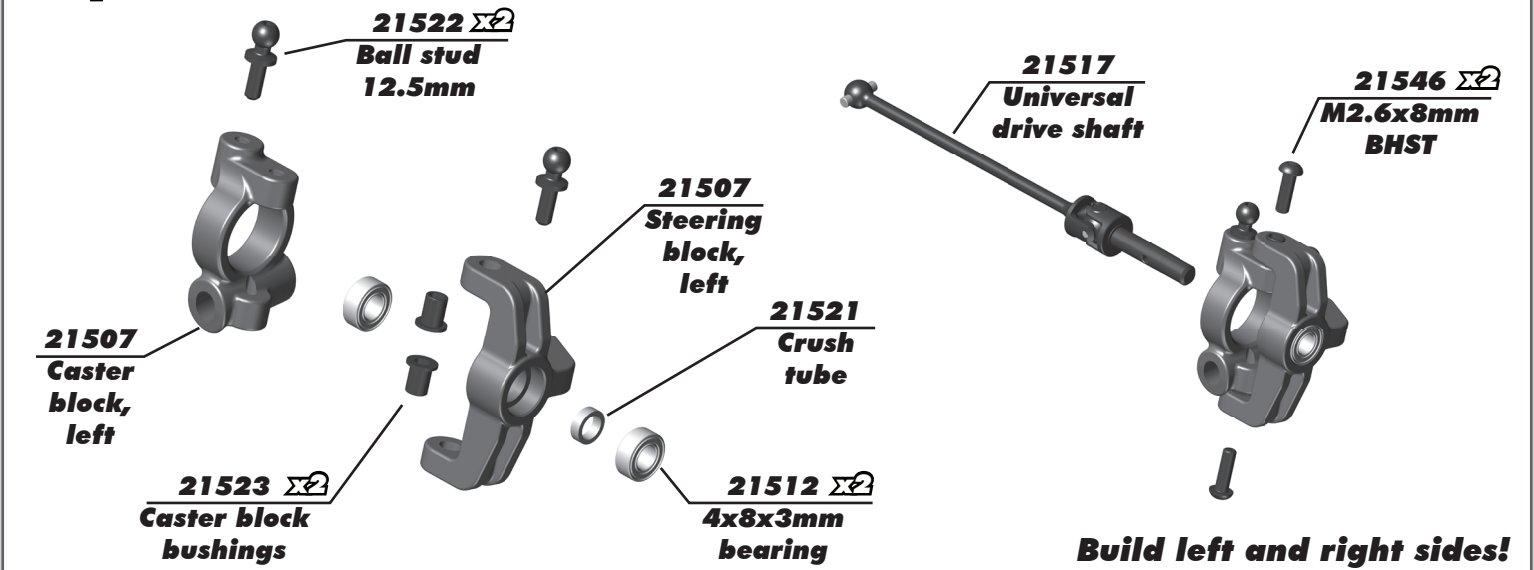
:: Step 15



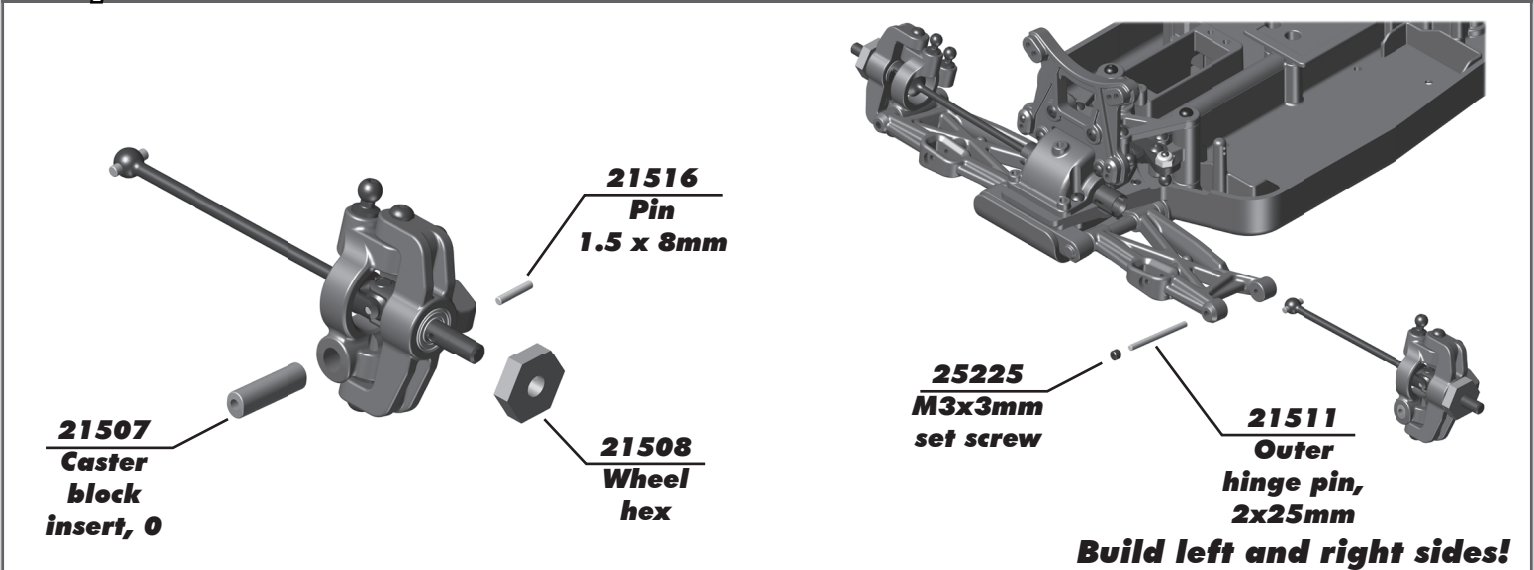
:: Step 16



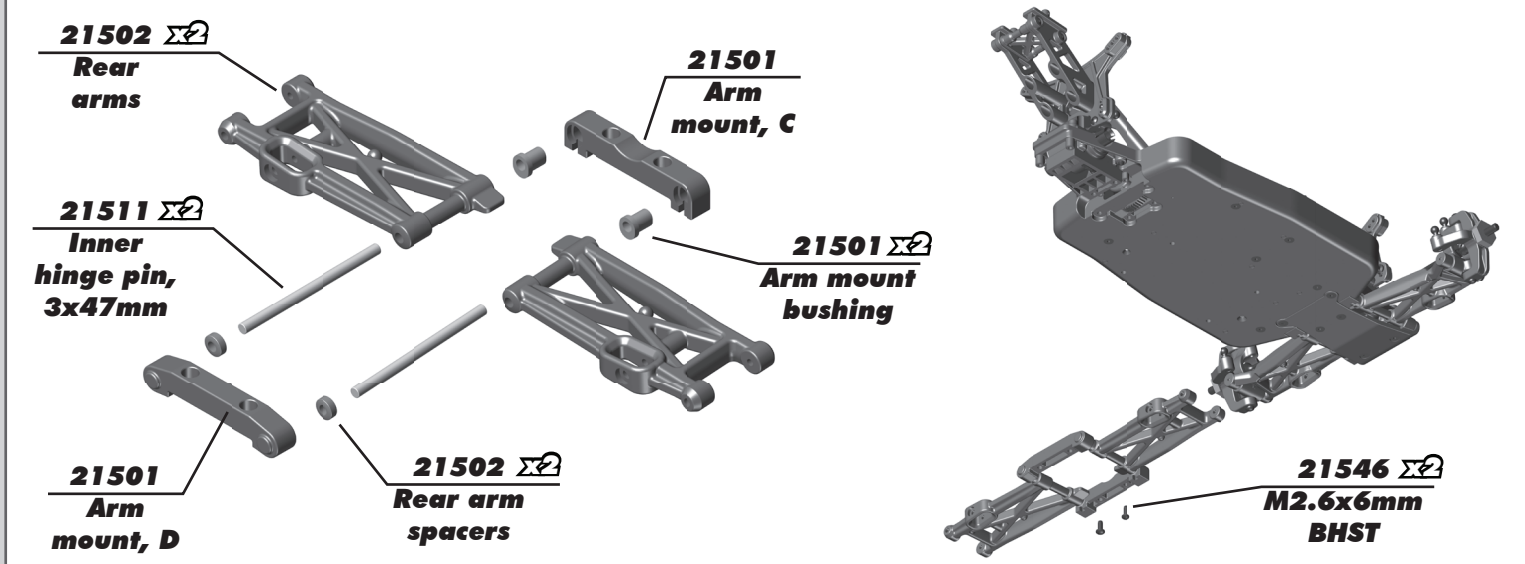
:: Step 17



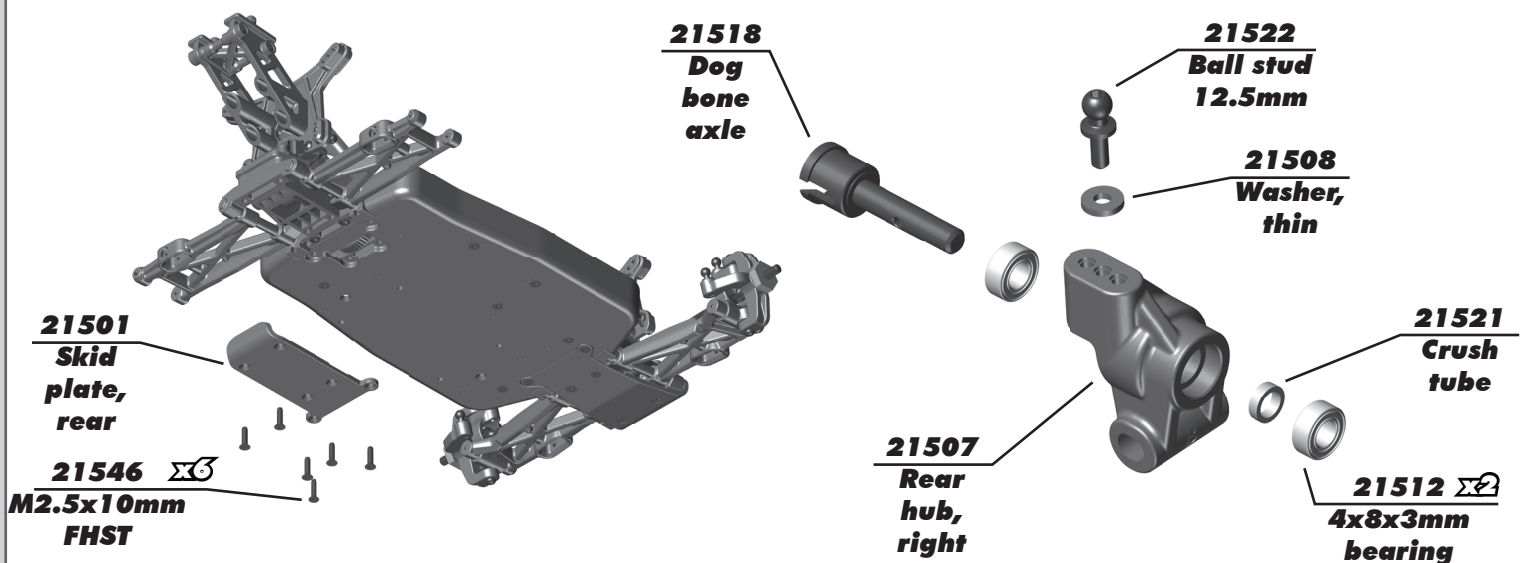
:: Step 18



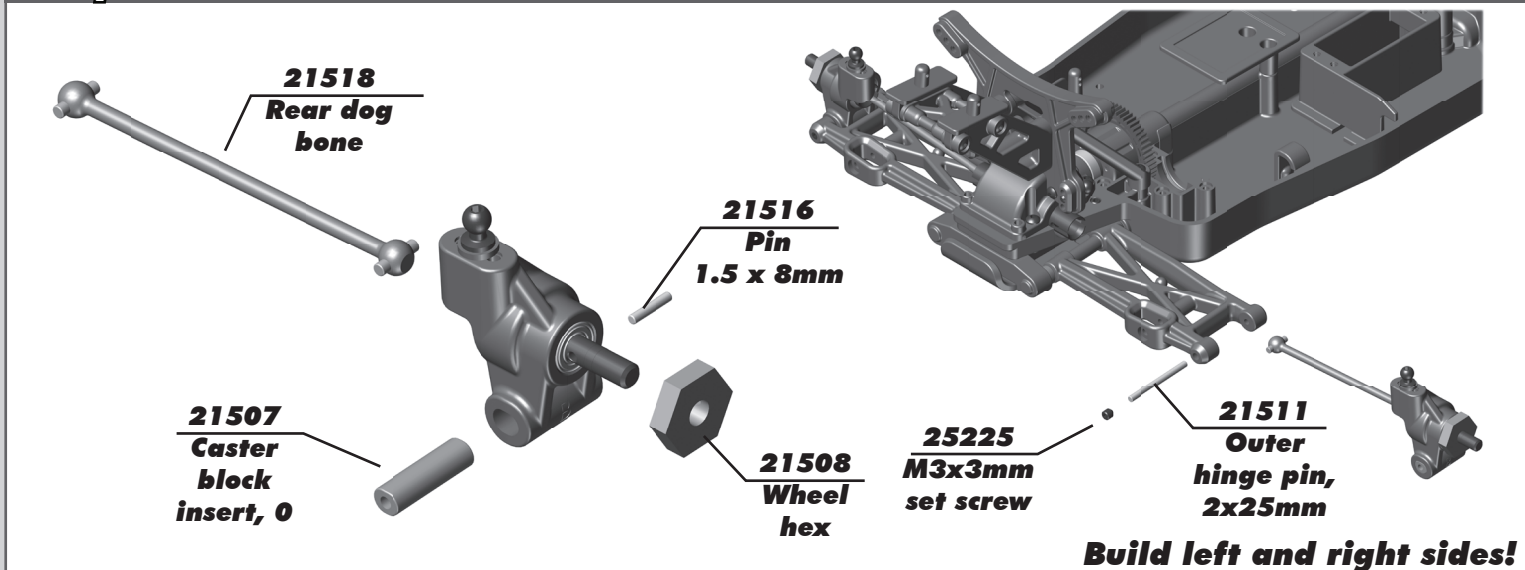
:: Step 19



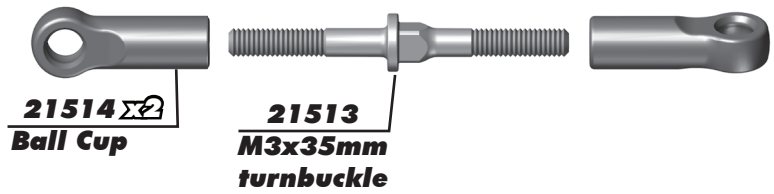
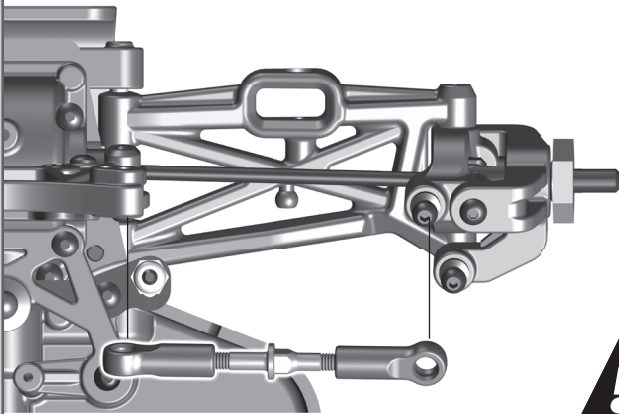
:: Step 20



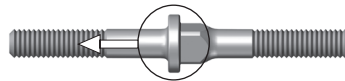
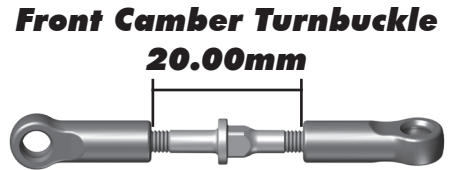
:: Step 21



:: Step 22

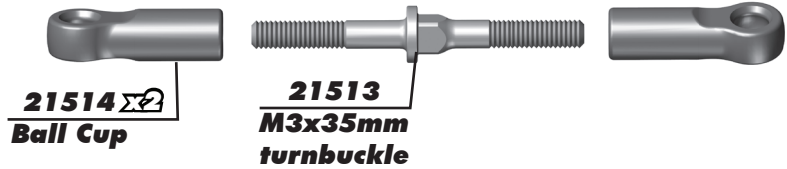
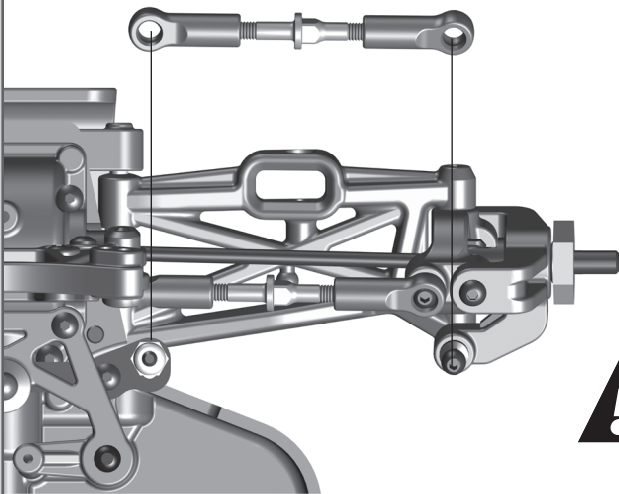


Orient the flange to the left throughout the car. It indicates which end has the left hand threads!



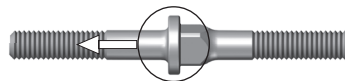
Build x2 (right and left side)

:: Step 23



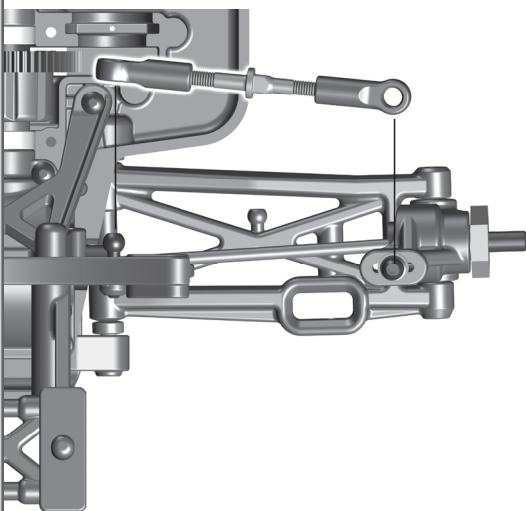
Orient the flange to the left throughout the car. It indicates which end has the left hand threads!

Steering Turnbuckle
19.50mm



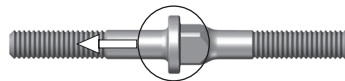
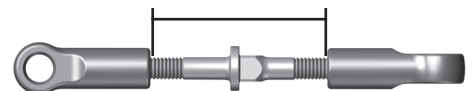
Build x2 (right and left side)

:: Step 24



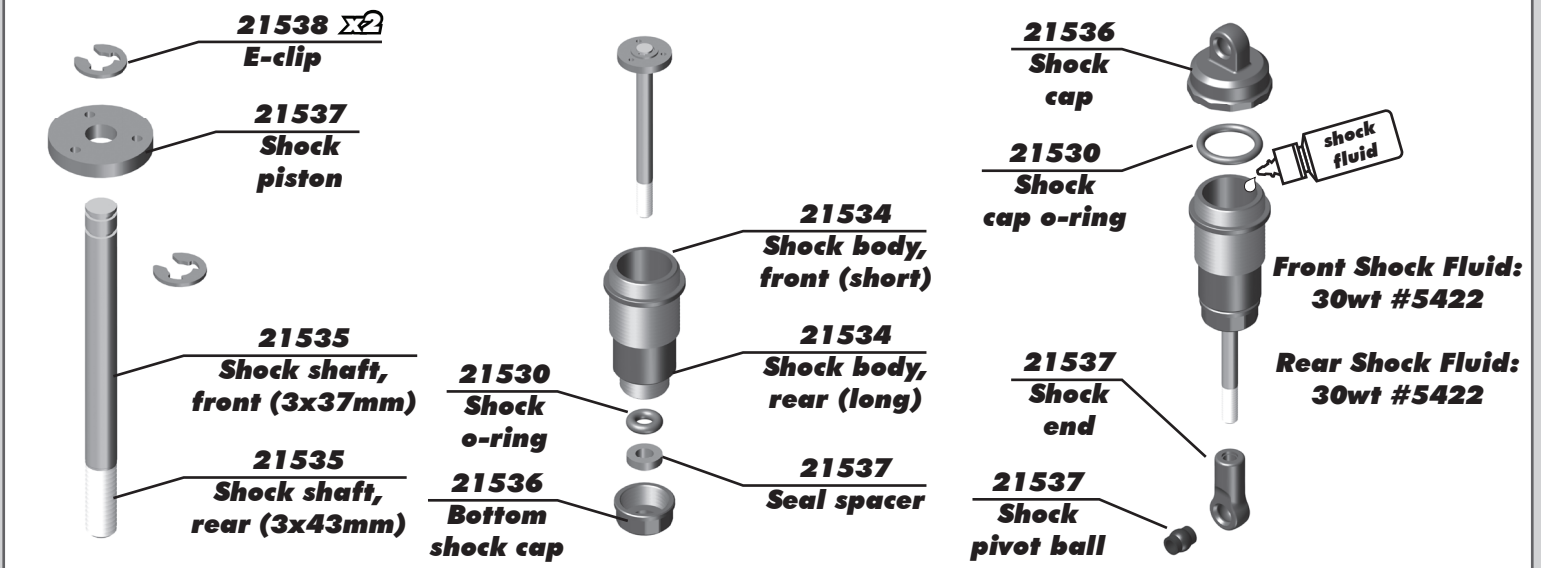
Orient the flange to the left throughout the car. It indicates which end has the left hand threads!

Rear Camber Turnbuckle
23.25mm



Build x2 (right and left side)

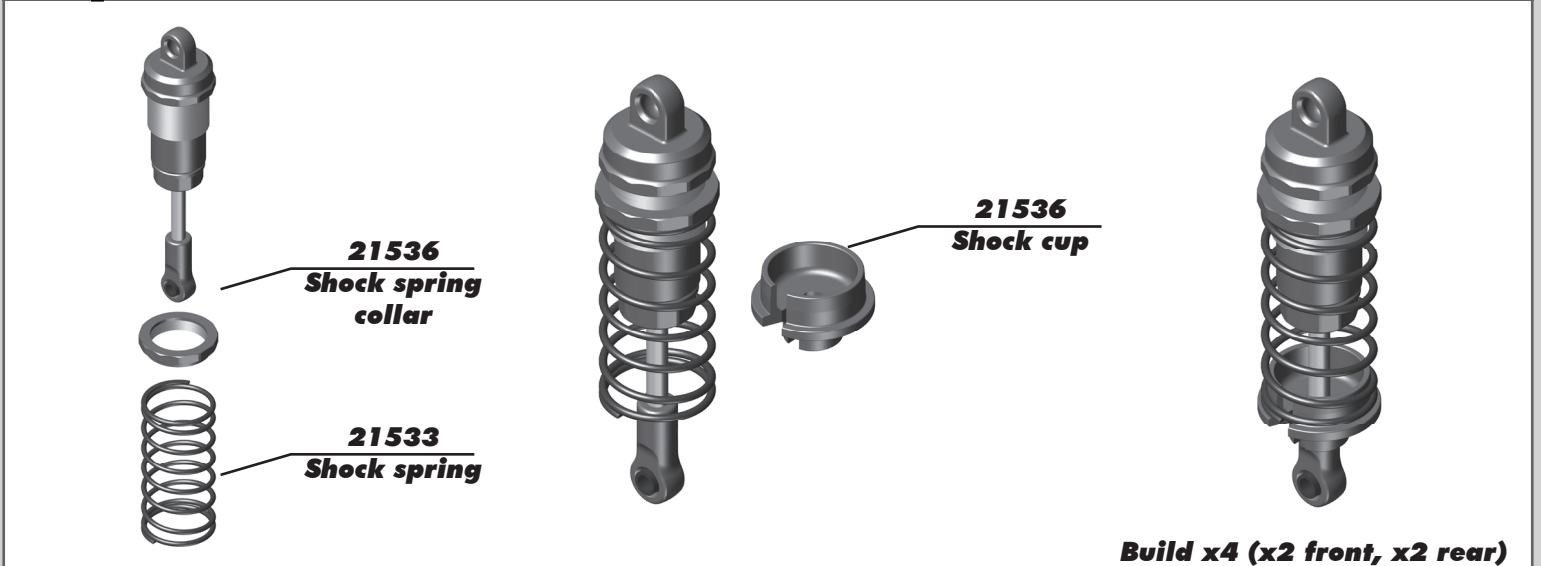
:: Step 25



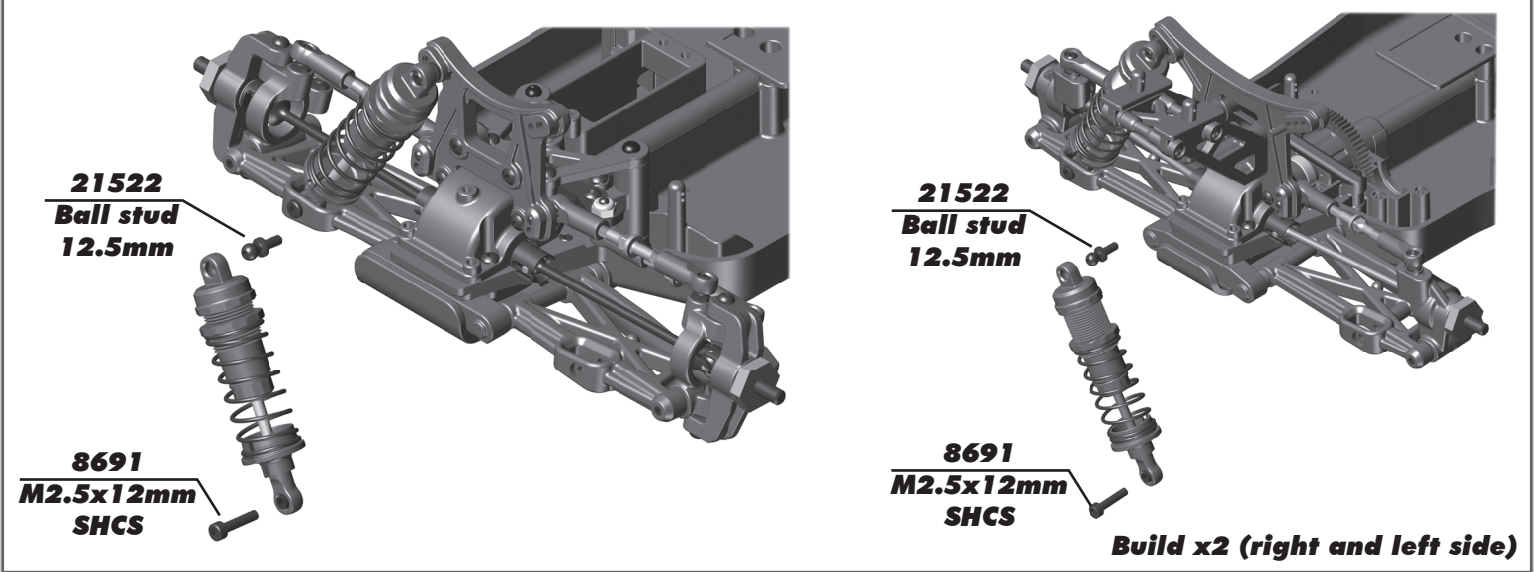
:: Step 26



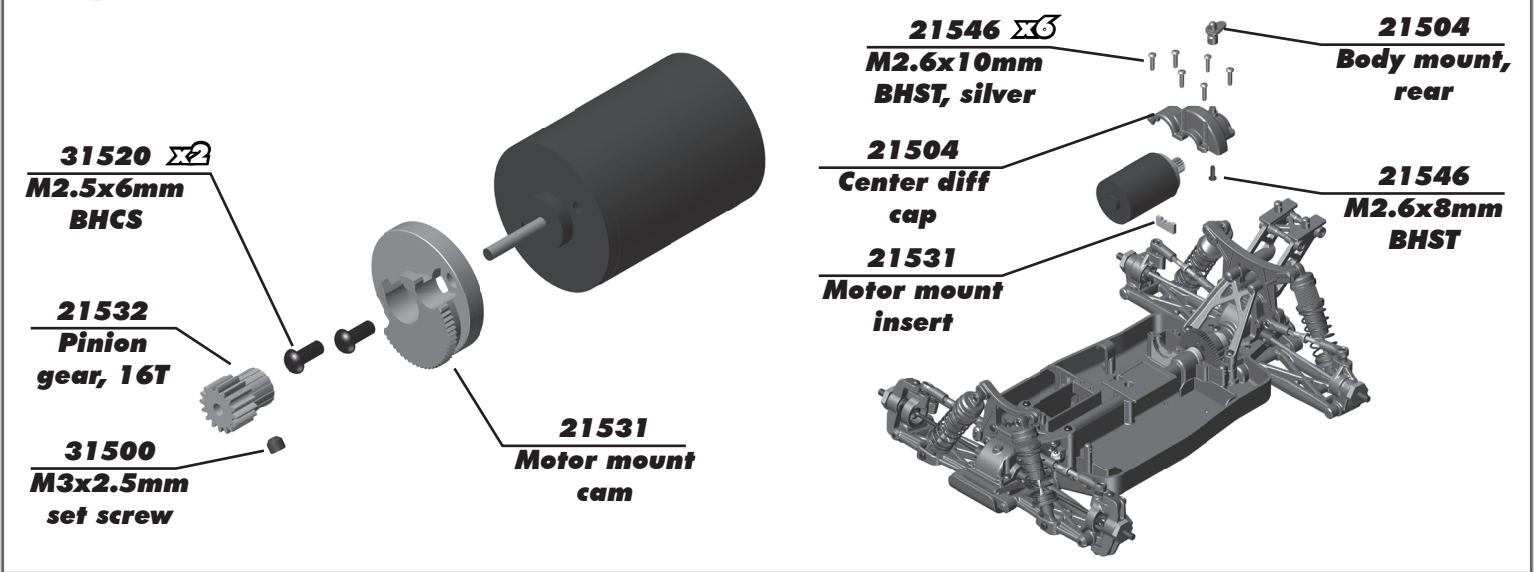
:: Step 27



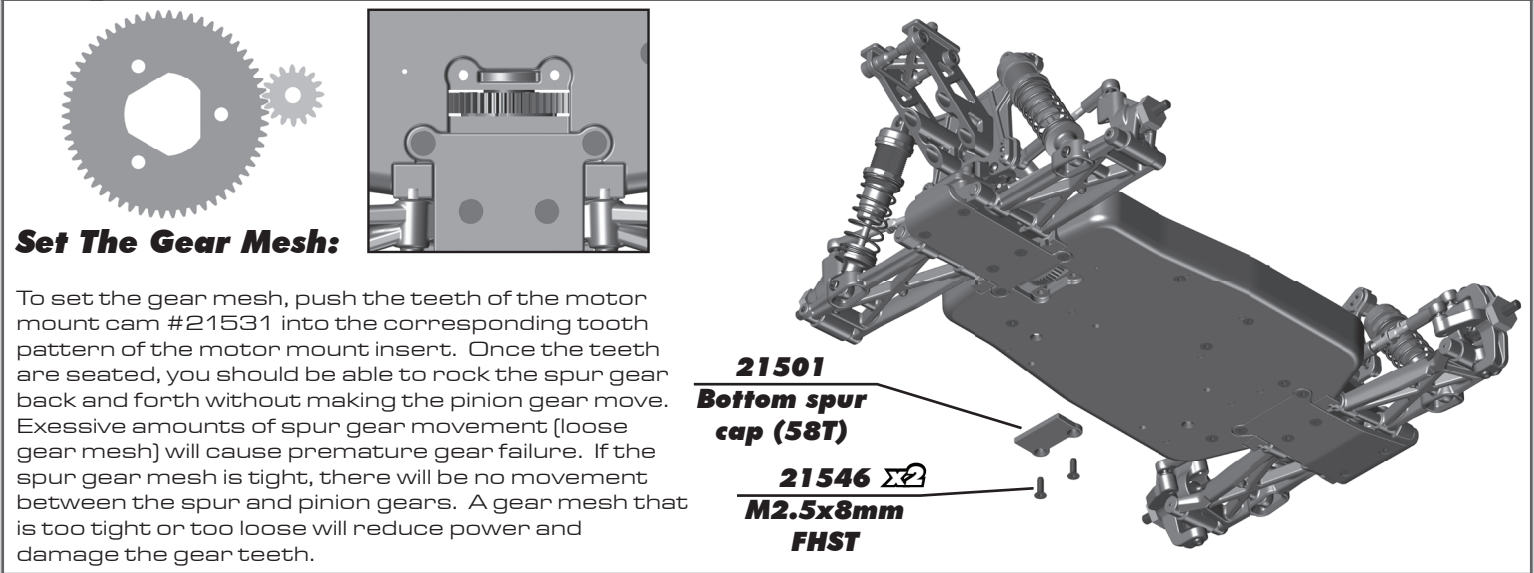
:: Step 28



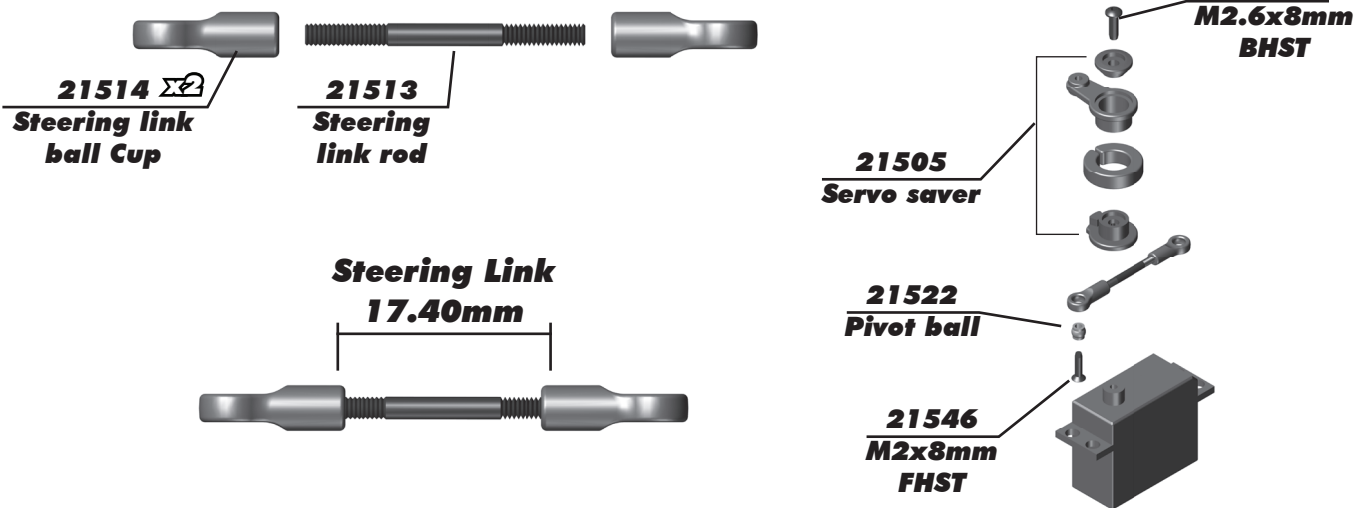
:: Step 29



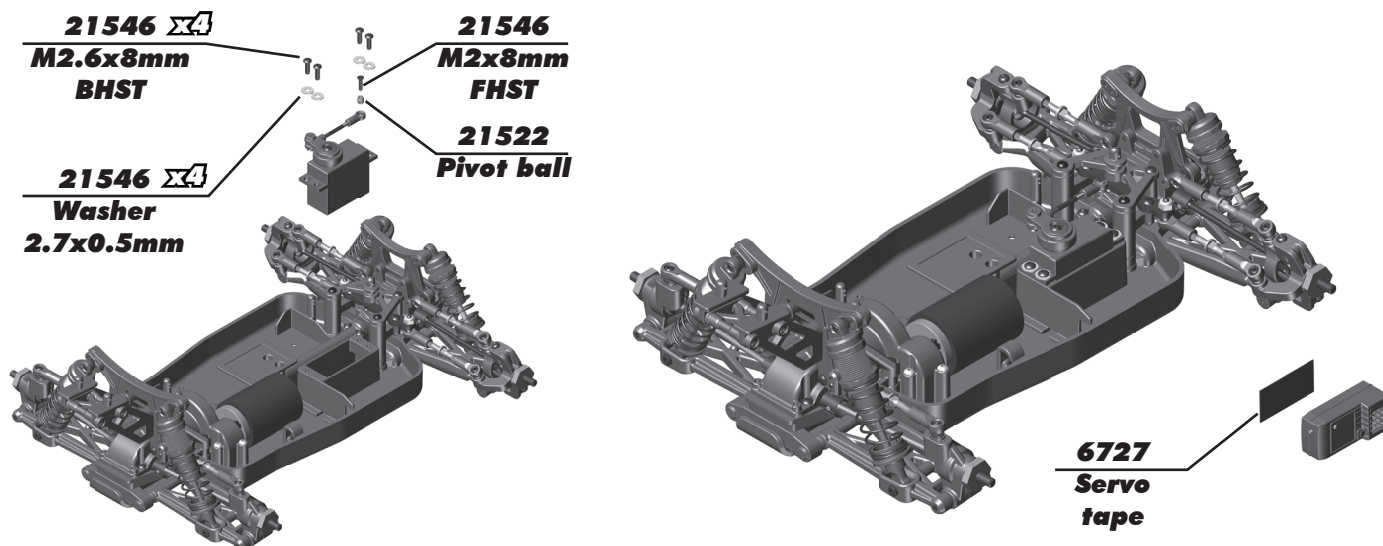
:: Step 30



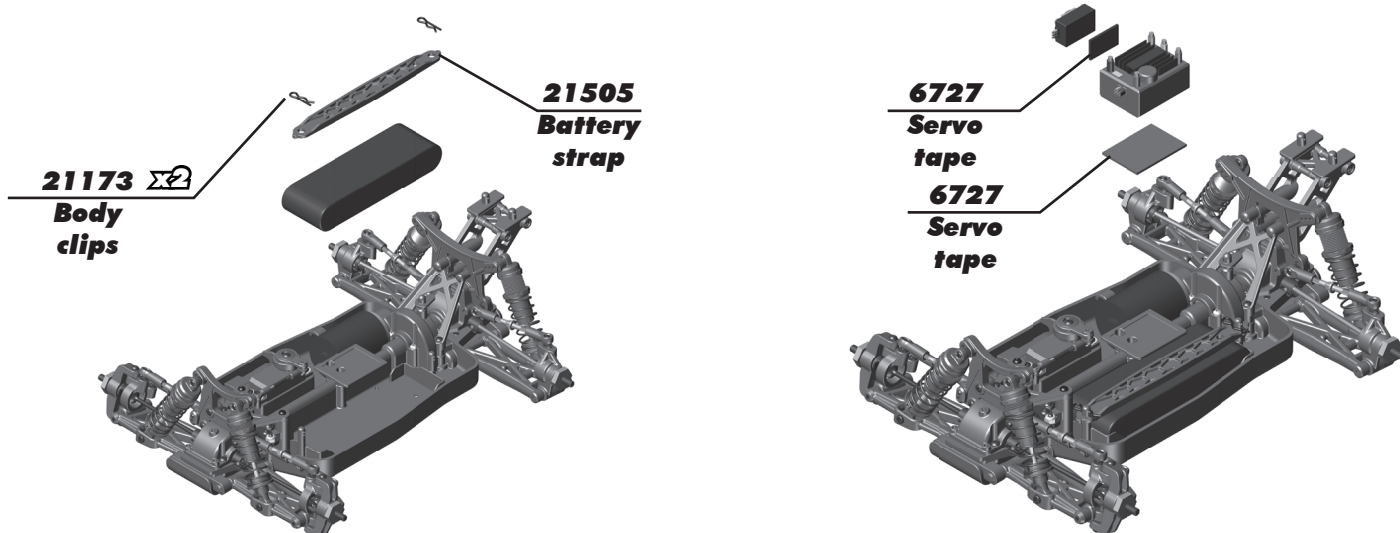
:: Step 31



:: Step 32



:: Step 33



:: Step 34

21547
1:14 mini pin tire, narrow

21550
1:14 mini pin tire, wide

21551
1:14 wheel, wide (black)

21549
1:14 wheel, narrow (black)

14B

91738 $\times 2$
M4 serrated nuts, black

14B: x2 narrow front wheel/tires
14B: x2 wide rear wheel/tires

Install x2 narrow front wheel/tires
Install x2 wide rear wheel/tires

:: Step 35

14T

21173 $\times 2$
Body clips

21545
Wing

21503 $\times 2$
Wing washer

91738 $\times 2$
M4 serrated nuts, black

14T: x4 wide rear wheel/tires

:: Step 36

21173 $\times 2$
Body clips

21541
14B clear body

21542
14B painted body

21546
M2.6x8mm BHST

21173 $\times 3$
Body clips

21543
14T clear body

21544
14T painted body

:: Tuning Tips**Tips for Beginners:**

Before making any changes to the standard setup, make sure you can get around the track without crashing. Changes to your vehicle will not be beneficial if you can't stay on the track. Your goal is consistent laps. Once you can get around the track consistently, start tuning your vehicle. Make only ONE adjustment at a time, testing it before making another change. If the result of your adjustment is a faster lap, mark the change on the included setup sheet (make additional copies of the sheet before writing on it). If your adjustment results in a slower lap, revert back to the previous setup and try another change. When you are satisfied with your vehicle, fill in the setup sheet thoroughly and file it away. Use this as a guide for future track days or conditions. Periodically check all moving suspension parts. Suspension components must be kept clean and move freely without binding to prevent poor and/or inconsistent handling.

Set The Gear Mesh:

You should be able to rock the spur gear back and forth in the teeth of the pinion gear without making the pinion gear move. If the spur gear mesh is tight, then loosen the #31520 screws and move the motor away, then try again. A gear mesh that is too tight or too loose will reduce power and damage the gear teeth.

Caster:

Caster describes the angle of the caster block as it leans toward the rear of the vehicle. Positive caster means the kingpin leans rearward at the top. The kit includes three inserts to adjust caster angle at the caster block, 0° and 1°. The total caster angle is the sum of the kick-up angle and the caster block angle. For less entry steering and more exit steering, try 0° caster block angle.

Front Camber:

Camber describes the angle at which the tire and wheel rides when looked at from the front. Negative camber means that the tire leans inward at the top. A good starting camber setting is -1°. Positive camber, where the top of the tire is leaning out, is not recommended. Optional #1719 camber gauge can be used to more accurately set camber.

Rear Camber:

Camber describes the angle at which the tire and wheel rides when looked at from the back. Negative camber means that the tire leans inward at the top. A good starting camber setting is -1°. Adding a small amount of positive camber, where the top of the tire is leaning out, will tend to improve straight-line acceleration on loose tracks. Optional #1719 camber gauge can be used to more accurately set camber.

Front Camber Links:

Changing the length of the camber link is considered a bigger step than adjusting the ball end height on the tower. Shortening the camber link (or lowering the ball end) will give the front end less roll and quicken steering response. Lengthening the camber link (or raising the ball end) will give the front more roll and slower steering response. Longer camber links are typically used on high grip tracks and shorter links tend to work better on medium-grip loose tracks.

Rear Camber Link:

Changing the length of the camber link is considered a bigger step than adjusting the ball end height on the rear chassis brace. Shortening the camber link (or lowering the ball end) will give the rear end less roll and the car will tend to accelerate or "square up" better. Lengthening the camber link (or raising the ball end) will give the rear more roll and more cornering grip. Longer camber links are typically used on high grip tracks, while shorter links tend to work better on medium grip loose tracks. The kit setting is the best compromise of cornering grip and acceleration.

Ackermann:

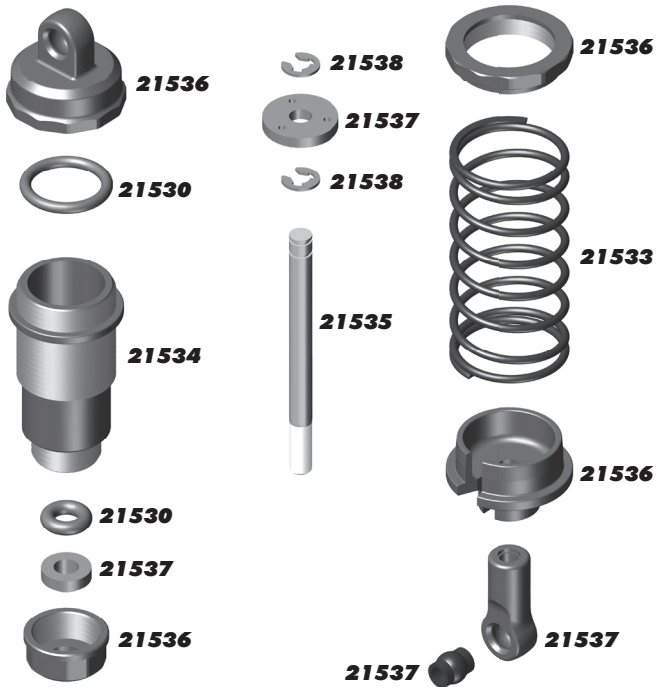
Ackermann is the angle difference between the front wheels when they are turned to steer the car. For minimal tire slip, it is standard for the inside wheel to steer to a greater angle than the outside wheel. If corner entry steering is too aggressive, try increasing the Ackermann by moving the ball studs to the rearward holes. Increasing the Ackermann will increase the angle difference of the front wheels when steered, resulting in a more stable car on corner entry.

Wheelbase Adjustment:

You have two options for the front and rear arm spacing; forward & back. For improved handling in bumps or rhythm sections, try moving the arms to the back position. Arms forward is typically used on low grip or where there are lots of tight corners.

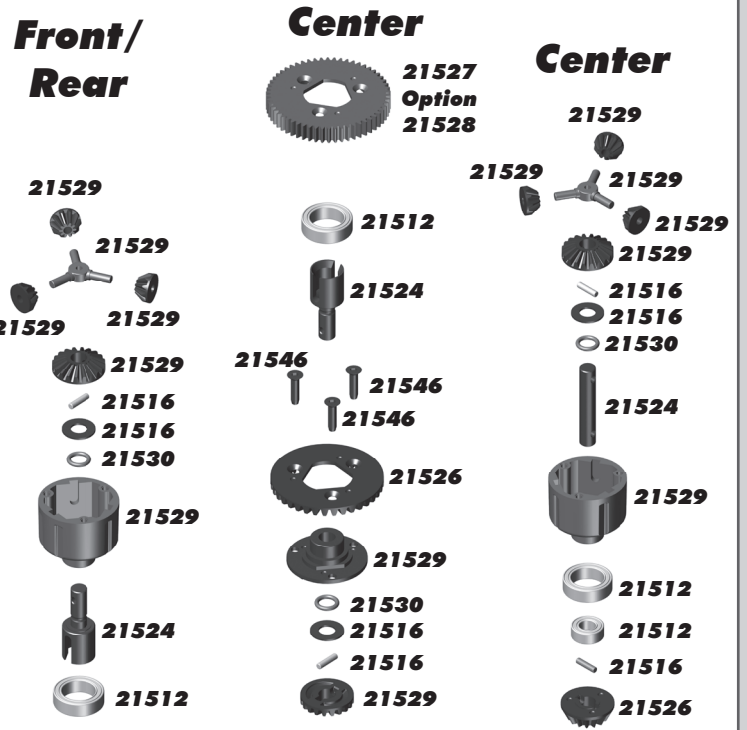
:: Shocks

21530	1:14 Diff & Shock O-rings Set	1
21533	Shock Springs, 2.25 lb in, L40.5mm	2
21534	1:14 Shock Body Set	2 ea.
21535	1:14 Fr & Rr Shock Shafts	2 ea.
21536	1:14 Shock Caps & Collars	4 ea.
21537	1:14 Shock Accessories Kit	1
21538	1:14 Shock Piston E-Clip	8



:: Gear Differentials

21512	1:14 Bearing Set	1
21516	1:14 Drive Pins Set	1
21524	1:14 Outdrive Kit	1
21526	1:14 Ring And Pinion Set [37/15]	1
21527	1:14 Spur Gear [58T]	1
21528	1:14 Spur Gear [70T]	1
21529	1:14 Differential Case Set	1
21530	1:14 Diff & Shock O-rings Set	1
21546	1:14 Hardware Set	1



:: Shock Fluid

5420	10 Weight Silicone Shock Fluid	2oz.
5427	15 Weight Silicone Shock Fluid	2oz.
5421	20 Weight Silicone Shock Fluid	2oz.
5424	22.5 Weight Silicone Shock Fluid	2oz.
5428	25 Weight Silicone Shock Fluid	2oz.
5426	27.5 Weight Silicone Shock Fluid	2oz.
5422	30 Weight Silicone Shock Fluid	2oz.
5432	32.5 Weight Silicone Shock Fluid	2oz.
5429	35 Weight Silicone Shock Fluid	2oz.
5433	37.5 Weight Silicone Shock Fluid	2oz.
5423	40 Weight Silicone Shock Fluid	2oz.
5434	42.5 Weight Silicone Shock Fluid	2oz.
5430	45 Weight Silicone Shock Fluid	2oz.
5438	47.5 Weight Silicone Shock Fluid	2oz.
5435	50 Weight Silicone Shock Fluid	2oz.
5431	55 Weight Silicone Shock Fluid	2oz.
5436	60 Weight Silicone Shock Fluid	2oz.
5437	70 Weight Silicone Shock Fluid	2oz.
5425	80 Weight Silicone Shock Fluid	2oz.



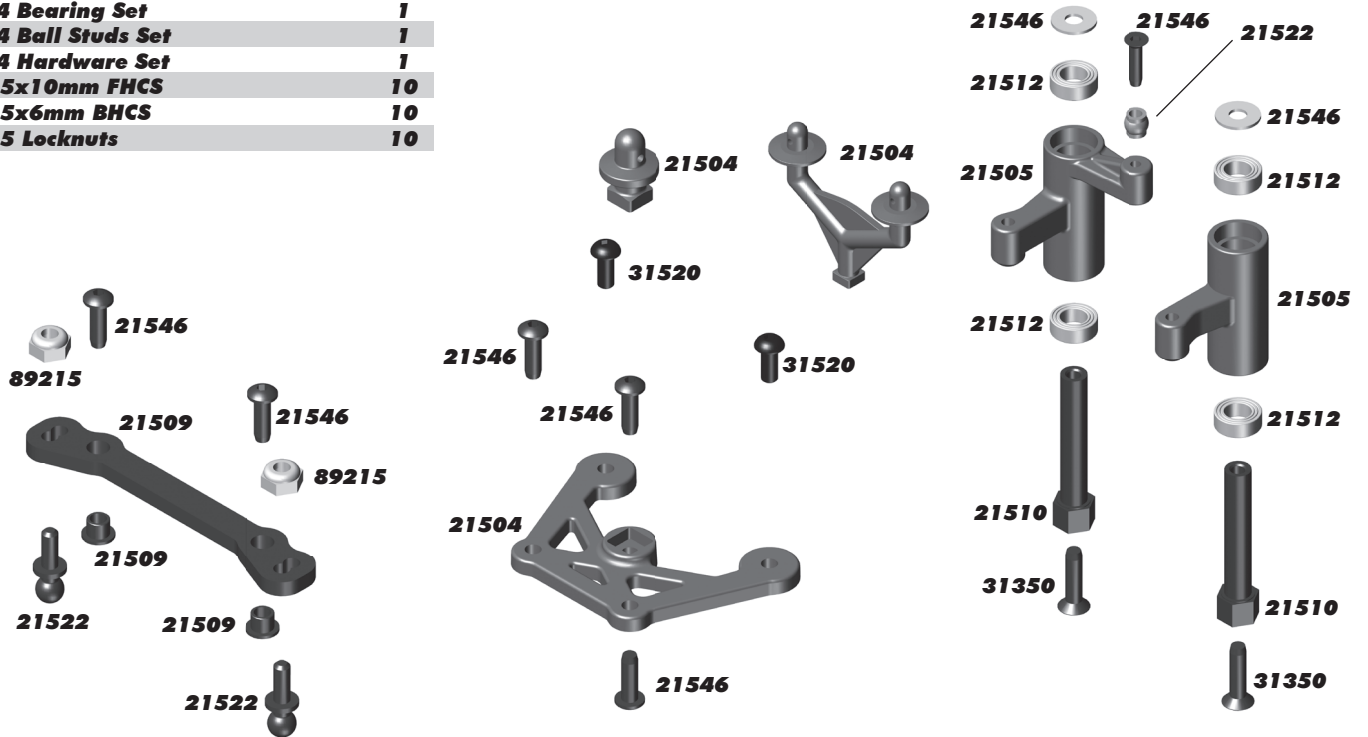
:: Diff Fluid

5450	Silicone Diff Fluid 1,000CST	1
5451	Silicone Diff Fluid 2,000CST	1
5452	Silicone Diff Fluid 3,000CST	1
5444	Silicone Diff Fluid 4,000CST	1
5453	Silicone Diff Fluid 5,000CST	1
5446	Silicone Diff Fluid 6,000CST	1
5454	Silicone Diff Fluid 7,000CST	1
5455	Silicone Diff Fluid 10,000CST	1
5466	Silicone Diff Fluid 15,000CST	1
5456	Silicone Diff Fluid 20,000CST	1
5457	Silicone Diff Fluid 30,000CST	1
5458	Silicone Diff Fluid 60,000CST	1
5448	Silicone Diff Fluid 80,000CST	1
5459	Silicone Diff Fluid 100,000CST	1
5461	Silicone Diff Fluid 200,000CST	1
5463	Silicone Diff Fluid 500,000CST	1
5465	Silicone Diff Fluid 1,000,000CST	1



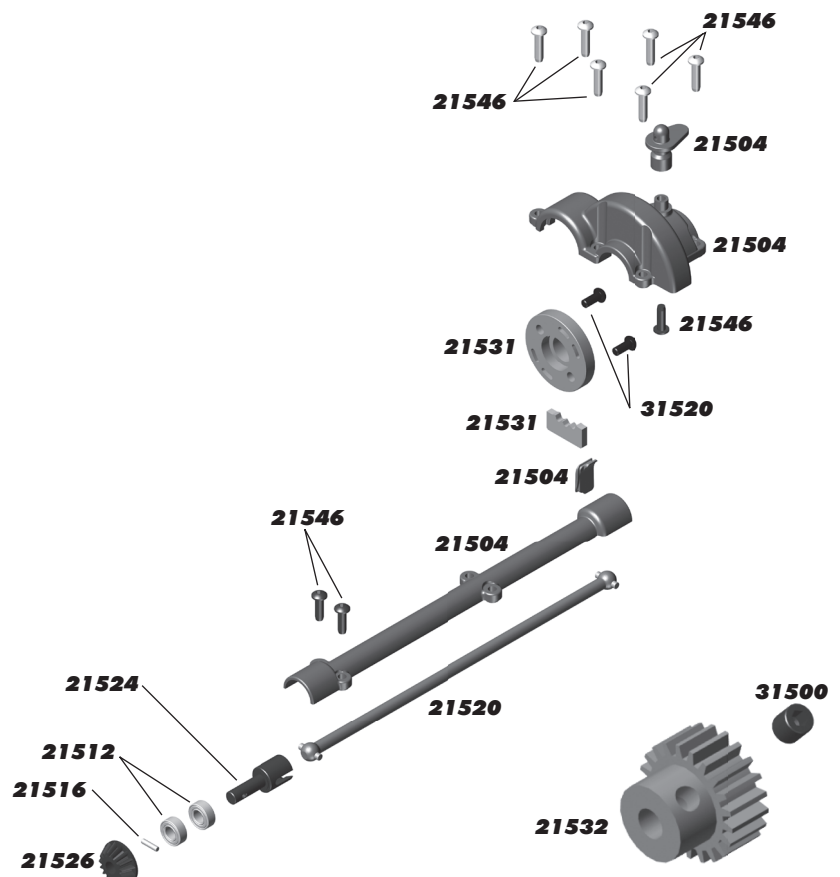
:: Transmission

21504	1:14 Upper Plastics Set	1
21505	1:14 Steering, Battery, Esc Parts Set	1
21509	1:14 Steering Plate	1
21510	1:14 Steering Posts	2
21512	1:14 Bearing Set	1
21522	1:14 Ball Studs Set	1
21546	1:14 Hardware Set	1
31350	M2.5x10mm FHCS	10
31520	M2.5x6mm BHCS	10
89215	M2.5 Locknuts	10



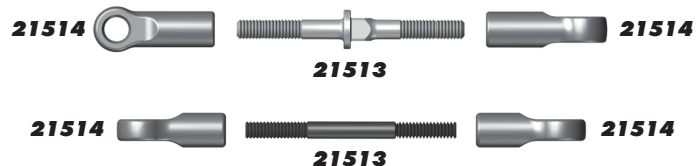
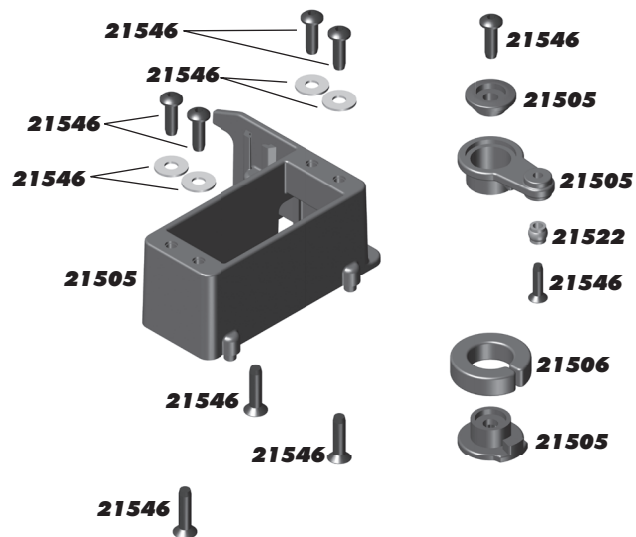
:: Transmission

21504	1:14 Upper Plastics Set	1
21512	1:14 Bearing Set	1
21516	1:14 Drive Pins Set	1
21520	1:14 Aluminum Center Driveshaft	1
21524	1:14 Outdrive Kit	1
21526	1:14 Ring And Pinion Set [37/15]	1
21531	1:14 Motor Mount Parts	1
21532	Pinion Gear [16T]	1
21546	1:14 Hardware Set	1
31500	M3x2.5mm Set Screw	10
31520	M2.5x6mm BHCS	10



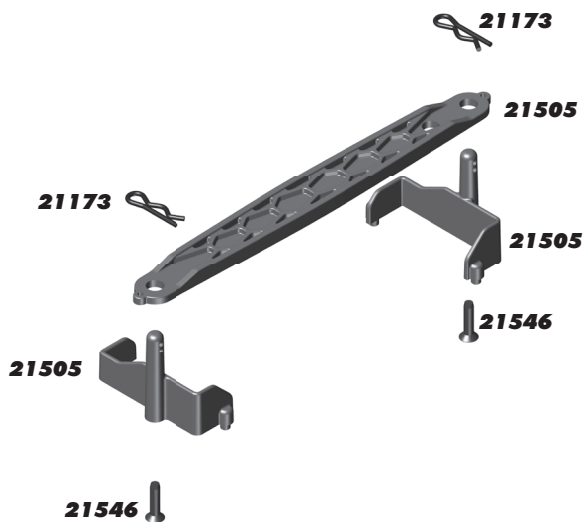
:: Turnbuckles and Servo Mounts

21505	1:14 Steering, Battery, Esc Parts Set	1
21506	1:14 Servo Saver Spring	1
21513	1:14 Turnbuckle Set	1
21514	1:14 Turnbuckle Rod End Set	1
21522	1:14 Ball Studs Set	1
21546	1:14 Hardware Set	1



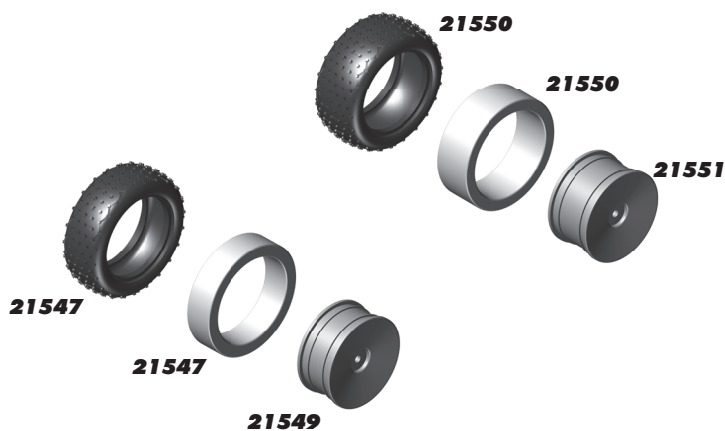
:: Battery Strap

21173	Body Clips	12
21505	1:14 Steering, Battery, Esc Parts Set	1
21546	1:14 Hardware Set	1



:: Wheels/Tires

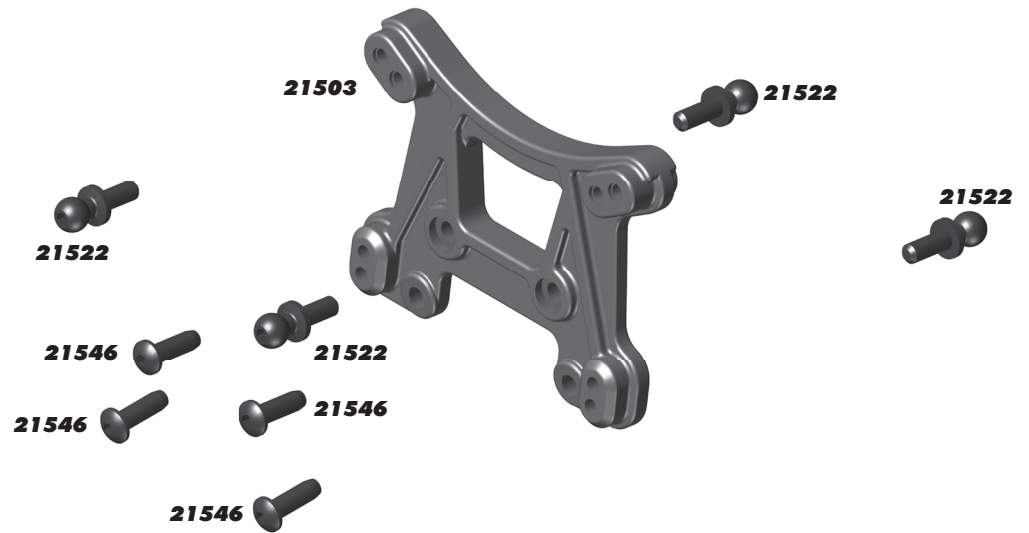
21539	1:14 Mini Pin Tires, Narrow [Mounted]	2
21540	1:14 Mini Pin Tires, Wide [Mounted]	2
21547	1:14 Mini Pin Tire, Narrow	2
21549	1:14 Wheel, Narrow, Black	2
21550	1:14 Mini Pin Tire, Wide	2
21551	1:14 Wheel, Wide, Black	2



14B: x2 narrow front wheel/tires
14B: x2 wide rear wheel/tires
14T: x4 wide rear wheel/tires

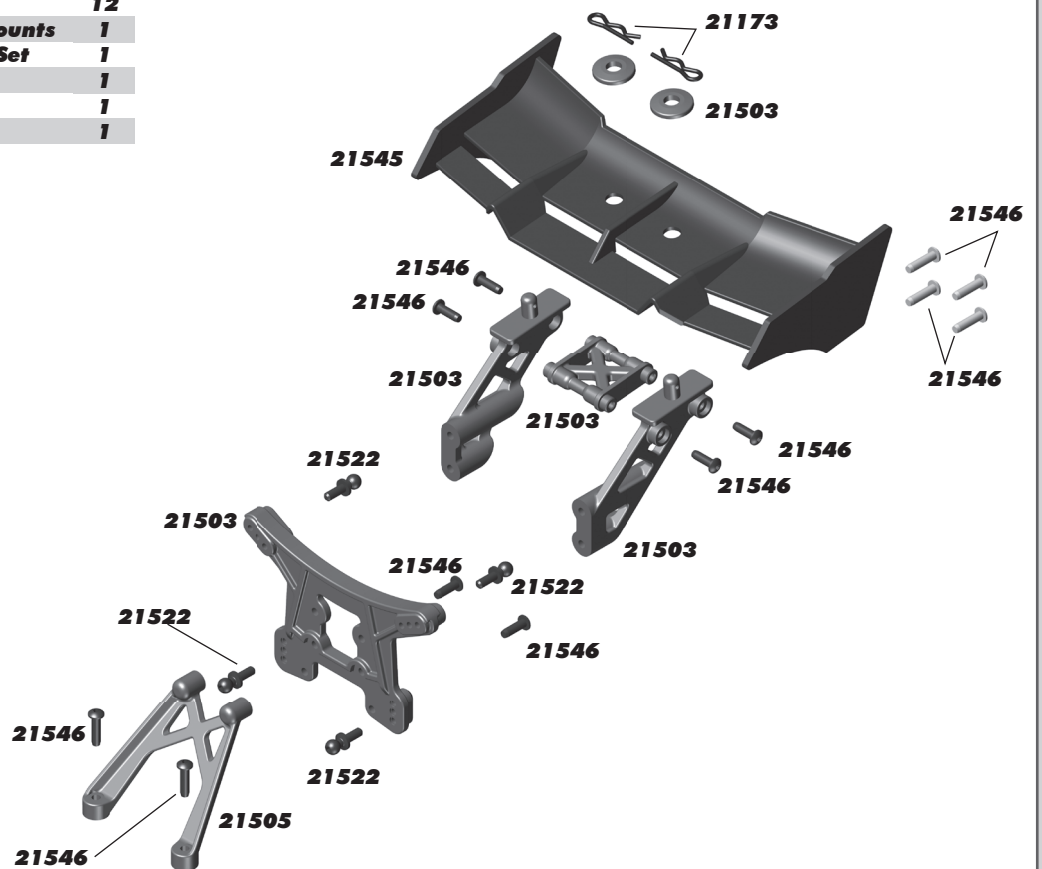
:: Front Shock Tower

21503	1:14 F/R Shock Towers & Wing Mounts	1
21522	1:14 Ball Studs Set	1
21546	1:14 Hardware Set	1



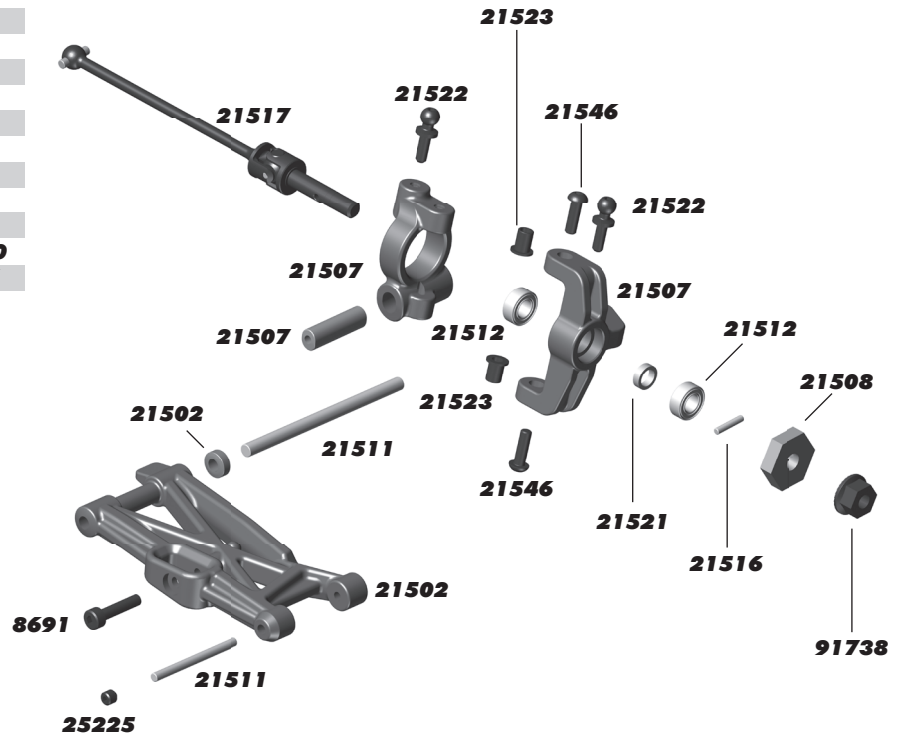
:: Rear Shock Tower

21173	Body Clips	12
21503	1:14 F/R Shock Towers & Wing Mounts	1
21505	1:14 Steering, Battery, Esc Parts Set	1
21522	1:14 Ball Studs Set	1
21545	14B/T Wing	1
21546	1:14 Hardware Set	1



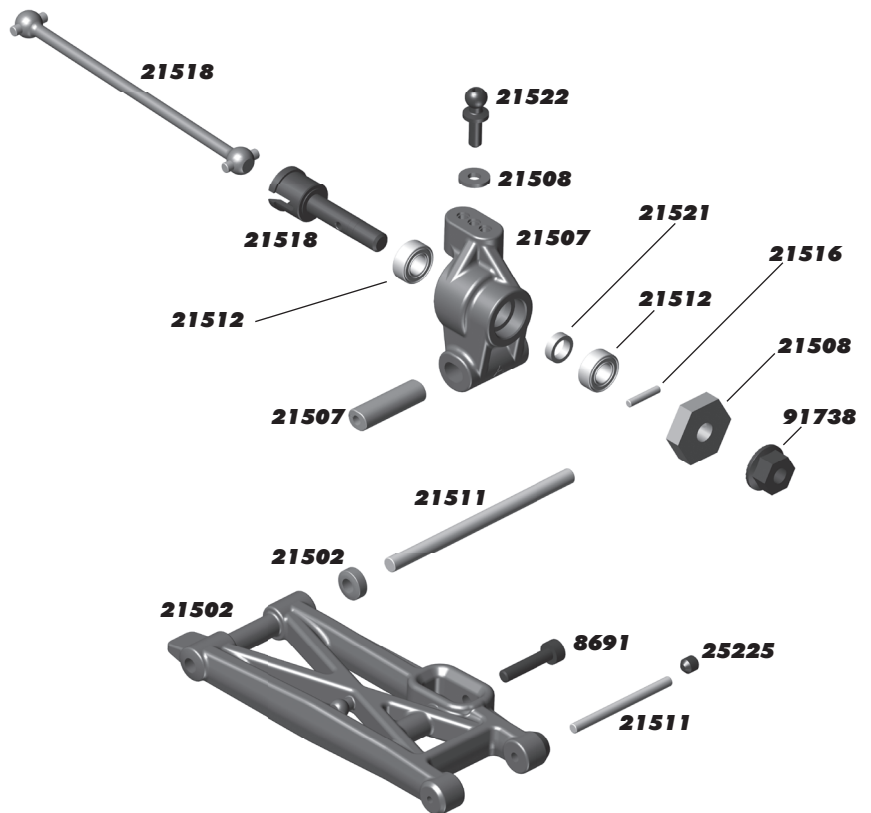
:: Front Arm

8691	M2.5x12mm SHCS	10
21502	1:14 F/R Arms & Spacers	Pr.
21507	1:14 Rear Hubs, Caster Blocks & Inserts	1
21508	1:14 Steering Blocks & Wheel Hex Set	1
21511	1:14 Hinge Pin Set	1
21512	1:14 Bearing Set	1
21516	1:14 Drive Pins Set	1
21517	1:14 Universal Driveshafts	2
21521	1:14 Fr & Rr Crush Tubes	4
21522	1:14 Ball Studs Set	1
21523	1:14 Caster Block Bushings	4
21546	1:14 Hardware Set	1
25225	M3x3mm Set Screw	10
91738	M4 Serrated Nuts	6



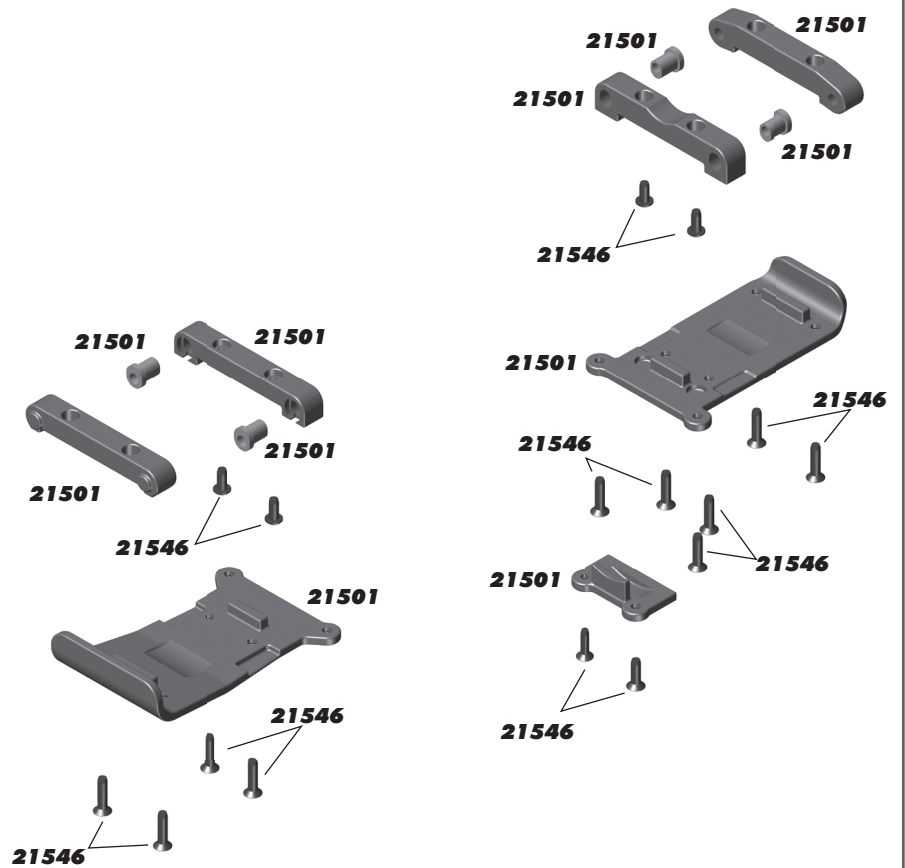
:: Rear Arm

8691	M2.5x12mm SHCS	10
21502	1:14 F/R Arms & Spacers	Pr.
21507	1:14 Rear Hubs, Caster Blocks & Inserts	1
21508	1:14 Steering Blocks & Wheel Hex Set	1
21511	1:14 Hinge Pin Set	1
21512	1:14 Bearing Set	1
21516	1:14 Drive Pins Set	1
21518	1:14 Rear Driveline Set	1
21521	1:14 Fr & Rr Crush Tubes	4
21522	1:14 Ball Studs Set	1
25225	M3x3mm Set Screw	10
91738	M4 Serrated Nuts	6



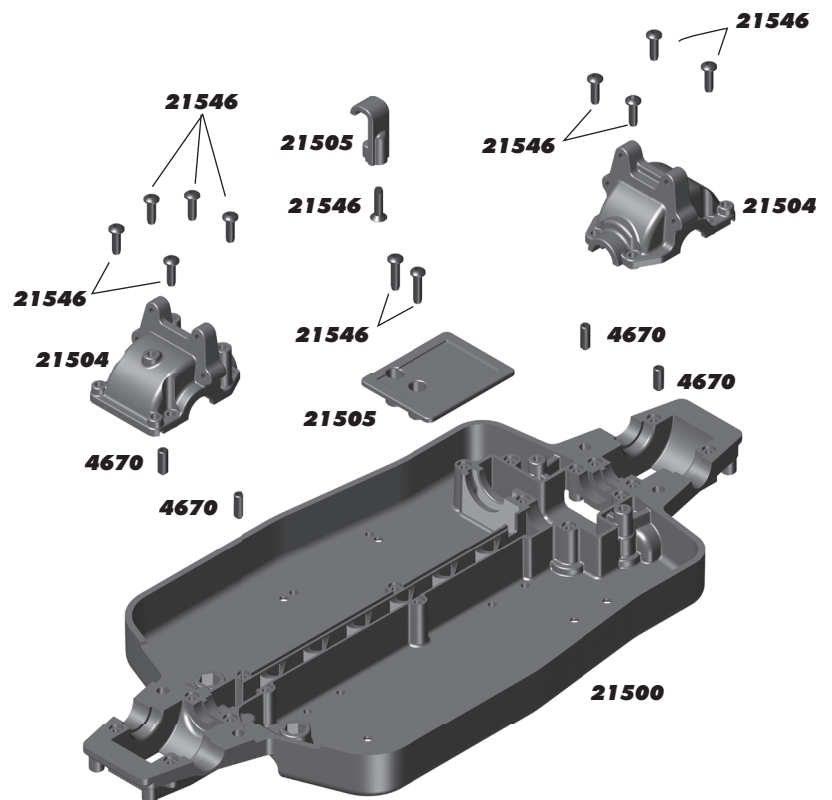
:: Front Bulkhead / Steering

21501	1:14 Skid Plates & Arm Mounts	1
21546	1:14 Hardware Set	1



:: Chassis

4670	M3x8mm Set Screw	10
21500	1:14 Chassis	1
21504	1:14 Upper Plastics Set	1
21505	1:14 Steering, Battery, Esc Parts Set	1
21546	1:14 Hardware Set	1



:: Reedy Electronics

302	AA Alkaline 1.5V (4)	1
904	280-SL4 4500kV Sensorless Brushless Motor	1
27131	D115F Servo	1
27202	123-S AC LiPo Compact Balance Charger	1
27330	Wolfpack HV LiPo 30C 2100mAh 7.6V Stick	1
27331	Wolfpack LiPo 1600mAh 30C 7.4V w/T-plug	1
29188	SC300-BL Brushless ESC	1

:: Bodies

21541	14B Clear Body	1
21542	14B Painted Body	1
21543	14T Clear Body	1
21544	14T Painted Body	1

:: Apparel / Promotional**TEE SHIRTS**

SP11*	2016 Worlds T-shirt, blue, (S, M, L, XL-5XL)	1
SP12*	2016 Worlds T-shirt, black, (S, M, L, XL-5XL)	1
SP113*	AE Worlds Car Retro T-Shirt, (S, M, L, XL-3XL)	1
SP114*	Circuit T-Shirt - Black (S, M, L, XL-3XL)	1
SP120*	AE 3/4 Sleeve Tee, Gray (S, M, L, XL-3XL)	1
SP121*	Kids AE Speed Tee, Black (S, M, L)	1
SP122*	Ladies AE Speed Tee, Black (S, M, L, XL)	1
SP123*	Mens AE Speed Tee, Navy (S, M, L, XL-5XL)	1
SP124*	AE 2017 Worlds Tee, Black (S, M, L, XL-3XL)	1
SP140*	Reedy Heritage Tee, Black (S, M, L, XL-5XL)	1

HOODIES/JACKETS

SP13*	AE Lite Jacket - Black - (S, M, L, XL, 2XL)	1
SP71*	AE Winter Jacket - Black (S, M, L, XL, 2XL)	1
SP111*	Reedy W15 Sweatshirt - Black (S, M, L, XL-3XL)	1
SP141*	Reedy R Hoodie - Black (S, M, L, XL-3XL)	1

HATS

SP20	AE Patch Trucker Hat	1
SP406	2017 Reedy Power Hat, Black	1
SP407	2017 Team Associated Hat, Gray	1
SP408	AE Worlds Hat	1
SP421S	AE 2012 Hat, Black, Flat Bill, S/M	1
SP421L	AE 2012 Hat, Black, Flat Bill, L/XL	1
SP422S	AE 2012 Hat, Black, Curved Bill, S/M	1
SP422L	AE 2012 Hat, Black, Curved Bill, L/XL	1
SP423S	AE 2012 Hat, White, Flat Bill, S/M	1
SP423L	AE 2012 Hat, White, Flat Bill, L/XL	1
SP424S	AE 2012 Hat, White, Curved Bill, S/M	1
SP424L	AE 2012 Hat, White, Curved Bill, L/XL	1
SP430	Reedy Trucker Hat 2018	1

BANNERS/MATS CARRIERS

SP29	Team Associated Countertop/Setup Mat	1
SP30	Team Associated Pit Mat	1
SP31	Reedy Countertop/Setup Mat	1
SP115	Reedy Circuit Cloth Banner	1
SP425	FT Fluid Carrier	1
SP426	Team Associated Countertop / Setup Mat	1
SP427	Reedy Countertop / Setup Mat	1
110684	Team Associated Track Banner	1
110685	Team Associated Cloth Banner	1
110686	Reedy Circuit Cloth Banner	1

* Use part number plus the desired size when ordering!

:: Lubes & Adhesives / Decals / Misc.

1105	FT Green Slime Shock Lube	1
1596	FT Locking Adhesive	1
1597	FT Tire Adhesive, medium	1
6588	Black Grease - 4cc	1
6591	S.Diff Lube - 4cc	1
6636	Silicone Grease - 4cc	1
6727	Servo Tape	2

726	Reedy 2016 Sticker Set	1
3834	AE Blue Embossed Logo Sticker	2
3840	2016 Team Associated Decal Sheet	1
9787	FT Chassis Protective Sheet	1

**:: MyLaps Transponders**

MLP10R078	MyLaps Hybrid (2-wire) Transponder	1
MLP10R120	MyLaps RC4 (3-wire) Transponder	1
MLP40R222	MyLaps Transponder Holder	1

:: Tools

1111	FT Turnbuckle Wrench	1
1112	FT 4mm Turnbuckle Wrench	1
1113	12mm Big Bore Shock Tool	1
1114	FT Dual Turnbuckle Wrench	1
1449	Off Road Ride Height Gauge	1
1452	FT TC Ride Height Gauge	1
1498	FT Universal Tire Balancer	1
1541	FT Hex Driver Set, (7 pcs)	1
1545	FT 5/64" Blue Hex Driver	1
1555	FT Clutch Gauge, 4 Shoe	1
1568	FT 5.5mm Short Nut Driver	1
1569	FT 7mm Nut Driver, T-Handle	1
1570	FT 5.5mm Short Nut Driver	1
1571	FT 1:8 Wheel Nut Wrench, 17mm Hex	1
1579	FT Ball Cup Wrench	1
1590	FT 3/32" Gold Ball Hex Driver	1
1592	FT Ball Hex Driver Set, (3 pcs)	1
1655	FT 8-Piece 1/4" Hex Drive Set	1
1656	FT 1/4" Hex Drive Handle, without tips	1
1657	FT 1/4" Hex Drive .050" Tip	1
1658	FT 1/4" Hex Drive 1/16" Tip	1
1659	FT 1/4" Hex Drive 5/64" - 2.0mm Tip	1
1660	FT 1/4" Hex Drive 3/32" Tip	1
1661	FT 1/4" Hex Drive 1.5mm Tip	1
1662	FT 1/4" Hex Drive 2.5mm Tip	1
1663	FT 1/4" Hex Drive 3/16" Nut Driver Tip	1
1664	FT 1/4" Hex Drive 1/4" Nut Driver Tip	1
1665	FT 1/4" Hex Drive 11/32" Nut Driver Tip	1
1666	FT 1/4" Hex Drive 5.5mm Nut Driver Tip	1
1667	FT 1/4" Hex Drive 7.0mm Nut Driver Tip	1
1668	FT 1/4" Hex Drive 8.0mm Nut Driver Tip	1
1669	FT 1/4" Hex Drive 5/64" - 2.0mm Ball End Tip	1
1670	FT 1/4" Hex Drive 3/32" Ball End Tip	1
1671	FT 1/4" Hex Drive Standard Screwdriver Tip	1
1672	FT 1/4" Hex Drive Phillips Screwdriver Tip	1
1673	FT 1/4" Hex Drive 2.5mm Ball End Tip	1
1674	FT 1/4" 5 Piece Power Tool Tips Set (5/64-2.0mm, 1.5mm, 2.5mm, 5/64"- 2.0mm ball, 2.5mm ball)	1
1675	FT Shock Shaft Pliers	1
1679	FT T-Handle Ratchet Driver	1
1719	FT Camber + Track Width Tool	1
1737	FT Body Scissors	1
3718	12 Inch Nylon Wire Ties	12
3719	6 Inch Nylon Wire Ties	12
3720	8 Inch Nylon Wire Ties	12
3987	FT Droop Gauge	1
7709	4 Inch Nylon Wire Ties	12

TEAM ASSOCIATED
WORLD CHAMPION R/C CARS

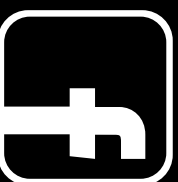
Associated Electrics, Inc.

26021 Commercentre Dr. Lake Forest, CA 92630 USA

call: (949) 544-7500 - fax: (949) 544-7501

**Check out the following web sites for all of our kits,
current products, new releases, setup help, tips, and racing info!
www.TeamAssociated.com - www.RC10.com**

FOLLOW US ON SOCIAL MEDIA



**TeamAssociated
ReedyPower**



**@TeamAssociatedRC
@ReedyPower**



**@Team_Associated
@ReedyPower**



AFactoryTeam