



Your journey begins here.

For Immediate Release: May 17, 2019

## Enduro Trail Truck, Sendero RTR

#40100



**ELECTRIC** ▪ **OFF ROAD** ▪ **1:10 SCALE** ▪ **4 WHEEL DRIVE** ▪ **RTR**

**A PERFORMANCE RIG BUILT TO ENDURE.** When hitting the trail, you want to do it with confidence – and the answer is the all-new Enduro Trail Truck!

At the heart of the Enduro is our revolutionary Stealth® X gearbox. Although the exterior appears to have a conventional 3-gear transmission look, the inside is far from conventional. The Stealth® X features the ability to adjust the rear drive ratio independently from the front drive across three levels: stock overdrives the front end 5.7%, option 1 provides a one-to-one drive ratio front-to-rear, and option 2 overdrives the front end 11.83%.

Feeding the power to the tires are 3-piece telescopic driveshafts with an extruded aluminum center section, universal front drive axles, and hardened steel ring and pinion gears. With the Enduro drivetrain, delivering useful power will not be an issue.

We relocated the steering link assembly from the conventional location to behind the axle (BTA). This feature greatly improves approach angle and front-end clearance, making rough terrain much easier to handle.

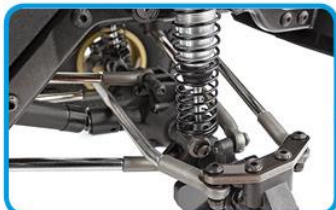
The Enduro Trail Truck with Sendero body comes ready for adventure right out of the box, with performance-driven Reedy Power electronics. The all-new, ultra-smooth, and powerful 16-turn, 5-slot brushed crawler motor and Reedy Power SC400X electronic speed controller with T-plug connector supply ample power to this tough rig. Controlling the beast on the trail is our new 3-channel XP130 2.4GHz radio and Reedy Power high-torque 1320MG metal-gear servo.

With all this packed in one box, we know the Enduro Trail Truck is ready for the trail – are you?

## HIGHLIGHTS

# ENDURO

1/10 SCALE READY-TO-RUN OFF ROAD  
SENDERO TRAIL TRUCK



**BTA STEERING & ALUMINUM STEERING PLATES:** Behind-the-axle steering provides better approach angles, more clearance, and a cleaner look. Bolt-on aluminum steering plates allow for more adjustment, strength, and future modification for the user.



**INTEGRATED SERVO WINCH MOUNT:** Mounting a winch directly to the chassis is the strongest and most reliable spot on any trail rig. Positioned alongside the steering servo for overall chassis balance and weight distribution.



**REEDY POWER CRAWLER MOTOR:** The new Reedy Power 5-slot 16-turn brushed crawler motor provides ample torque with a smooth power delivery. This allows for slow precise acceleration while maintaining consistent power over rough terrain and obstacles.



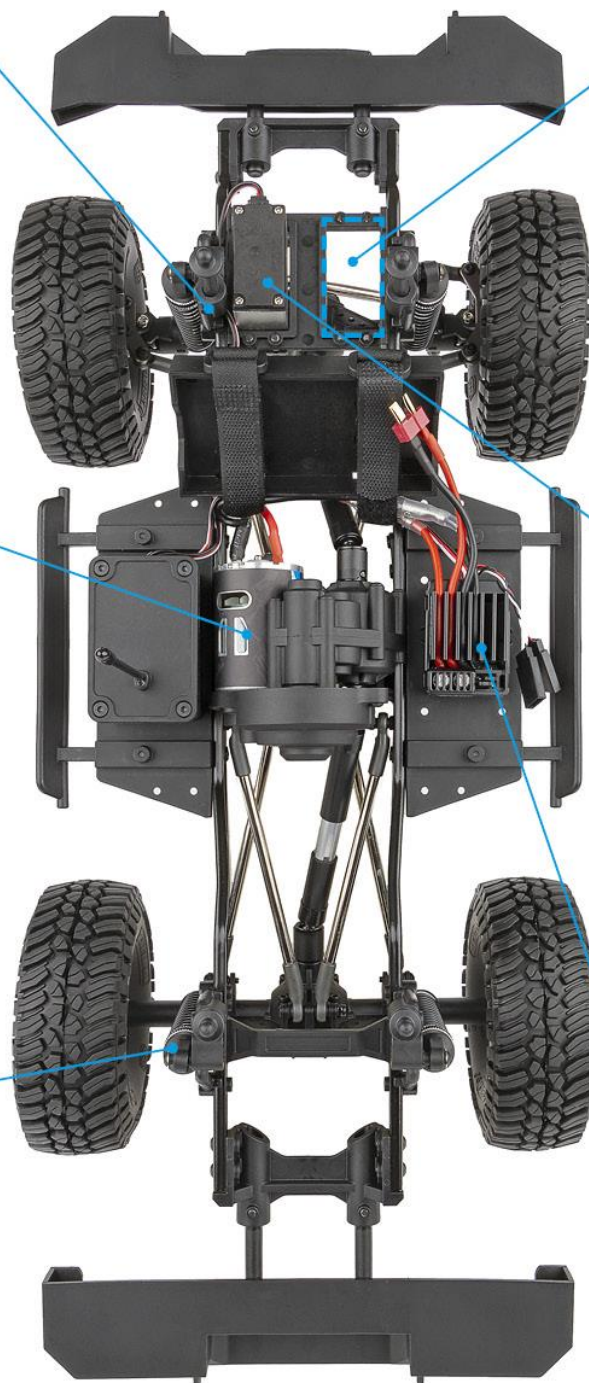
**RADIO & SERVO:** The XP130, 2.4GHz, 3-channel radio and receiver together with a Reedy Power 1320MG (metal gear) water resistant servo pushing out 173oz-in (12.5kg-cm) of torque at 6V is the perfect setup for keeping the Enduro under control on the trail.



**THREADED ALUMINUM SHOCK BODIES:** Threaded aluminum and fluid-filled, these shocks keep the vehicle stable on the trail and retain oil even in the roughest terrain.



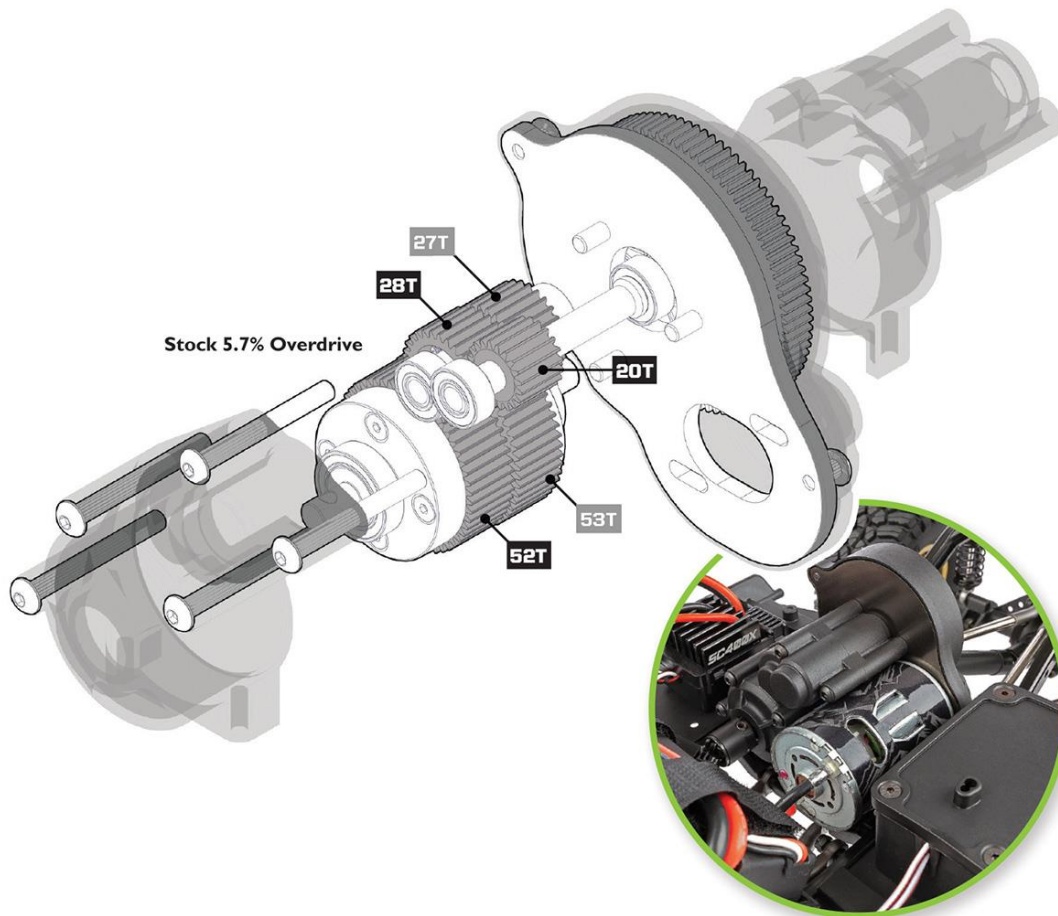
**REEDY POWER ELECTRONIC SPEED CONTROLLER (ESC):** The water resistant SC400X brushed ESC is specifically programmed for crawling with proportional forward/reverse, dual auxiliary power output leads, LiPo low-voltage cutoff protections, and T-plug connector.



*Due to ongoing R&D, photos may not match final vehicle.*

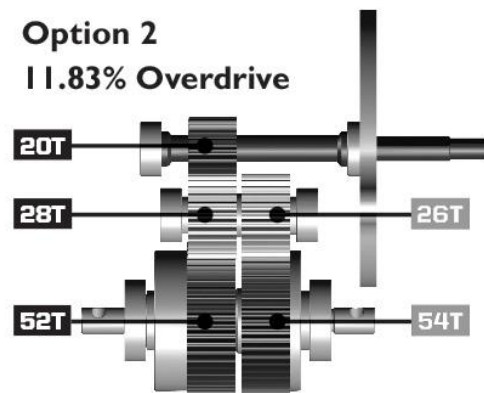
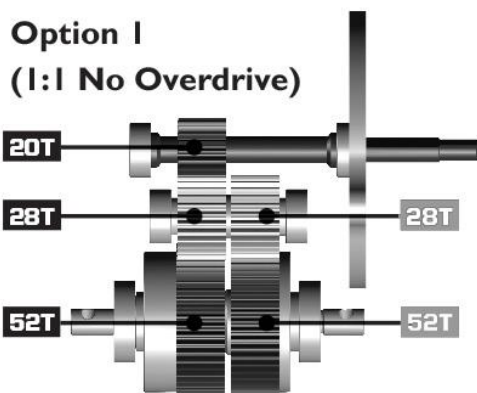


## STEALTH® X GEARBOX



**STEALTH® X GEARBOX WITH ADJUSTABLE OVERDRIVE GEARS:** At the heart of the Enduro is our revolutionary Stealth® X gearbox. Although the exterior appears to have a conventional 3-gear transmission look, the inside is far from conventional. The Stealth® X features the ability to adjust the rear drive ratio independently from the front drive in 3 levels.

- Stock (with 27T and 53T gears, above) overdrives the front end 5.7%.
- Option 1 (with 28T and 52T gears, below left) provides a one-to-one drive ratio front to rear.
- Option 2 (with 26T and 54T gears, below right) overdrives the front end 11.83%.



## MORE FEATURES

- CMS (Chassis Mounted Servo)
- Adjustable front track bar
- Universal front drive axles
- Stamped steel frame rails
- Enclosed receiver box
- 12mm wheel hexes
- Adjustable front and rear bumper mounts
- Adjustable width rock sliders
- Two battery boxes
- Aluminum motor plate
- Adjustable body posts
- Optimized ball cups for more fluid axle articulation
- Adjustable rear shock mount positions
- Telescopic driveshafts front and rear
- Extruded aluminum driveshaft splines
- One-piece rear axle design
- Splined front axle with adjustable caster
- Machined input pinion gear
- Metal ring gear
- Machined steel top shaft
- Metal idler gears
- Heavy duty 5mm diameter steel links
- Metal ball bearings included

## SPECIFICATIONS

<b>Scale</b>	1:10
<b>Power</b>	Electric
<b>Length</b>	varies
<b>Width</b>	varies
<b>Weight</b>	varies
<b>Wheelbase</b>	313mm (12.3")
<b>Transmission Ratio</b>	varies

## ITEMS NEEDED TO COMPLETE

- Battery pack
- Charger
- 4 AA batteries for radio

## IDEAL CUSTOMER

For 1:10 scale trail truck enthusiasts

**ALL IN THE DETAILS.** No trail truck would be complete without a detailed and realistic looking body. The Sendero Trail Truck is just that, with inspired styling from the 80's and 90's.

The Sendero comes equipped with a high-strength polycarbonate body that has been pre-painted to look fresh off the showroom floor. The Sendero body was designed for both looks and function, featuring a 2-piece design with increased bed depth for cargo, injection molded bumpers, windshield wipers, folding mirrors, and front grill with working LEDs.

The Sendero's pivoting side mirror design reduces the risk of losing mirrors while on trail. Drive your rig with confidence knowing it can handle navigating through tight technical rock features.

Out of the box, the Sendero Trail Truck is ready to tackle the elements – your journey begins here!

**OFFICIALLY LICENSED WHEELS AND TIRES.** Gripping the trail is a set of officially licensed General Grabber™ X3 tires molded in a high-performance, soft compound rubber. The General Grabber™ X3 tires are mounted on officially licensed Method 701 Trail Series beadlock wheels. No more worrying if your RTR tires will come unglued.

*General Grabber™ is a trademark of CONTINENTAL TIRE NORTH AMERICA, INC. CORPORATION*

UPC: 784695 401006	#40100	<a href="#">Enduro Trail Truck, Sendero RTR</a>	MAP: \$349.99	MSRP: \$509.99	Available: June 2019
-----------------------	--------	-------------------------------------------------	------------------	-------------------	-------------------------

Download all above available zipped photos here: <http://bit.ly/30rhNED> (38.7 MB). Link is active for 30 days.



26021 Commercentre Dr.  
Lake Forest, CA 92630-8853 U.S.A.  
[www.AssociatedElectrics.com](http://www.AssociatedElectrics.com)

