



Your journey begins here.

For Immediate Release: August 28, 2019

Enduro Trail Truck, Trailwalker 4x4 RTR

#40101, 40101C

ENDURO

1/10 SCALE READY-TO-RUN OFF ROAD
TRAILWALKER 4X4



RTR
READY-TO-RUN

INCLUDES
LED
TWO PIECE LIGHT SET

YOUR JOURNEY BEGINS HERE!



ELECTRIC ■ OFF ROAD ■ 1:10 SCALE ■ 4 WHEEL DRIVE ■ RTR

A PERFORMANCE RIG BUILT TO ENDURE. When hitting the trail, you want to do it with confidence -- and the answer is the all-new Enduro Trailwalker 4x4!

At the heart of the Enduro is our revolutionary Stealth® X gearbox. Although the exterior appears to have a conventional 3-gear transmission look, the inside is far from conventional. The Stealth® X features the ability to adjust the rear drive ratio independently from the front drive across three levels: stock overdrives the front end 5.7%, option 1 provides a one-to-one drive ratio front-to-rear, and option 2 overdrives the front end 11.83% (included in RTR).

Feeding the power to the tires are 3-piece telescopic driveshafts with an extruded aluminum center section, universal front drive axles, and hardened steel ring and pinion gears. With the Enduro drivetrain, delivering useful power will not be an issue.

We relocated the steering link assembly from the conventional location (in front of the axle) to behind the axle (BTA). This feature greatly improves approach angle and front-end clearance, making rough terrain much easier to handle.

The Enduro Trailwalker 4x4 comes ready for adventure right out of the box with performance-driven Reedy Power electronics. The all-new, ultra-smooth, and powerful 16-turn, 5-slot brushed crawler motor and Reedy Power SC400X electronic speed controller with T-plug connector supply ample power to this tough rig. Controlling the beast on the trail is our new 3-channel XP130 2.4GHz radio and Reedy Power high-torque 1320MG metal-gear servo.

With all this packed in one box, we know the Enduro Trailwalker 4x4 is ready for the trail -- are you?

HIGHLIGHTS



OFFICIALLY LICENSED General Grabber™ A/T X tires mounted on 3-piece 1.55" beadlock wheels.



BTA STEERING & ALUMINUM STEERING PLATES: Behind-the-axle steering provides better approach angles, more clearance, and a cleaner look. Bolt-on aluminum steering plates allow for more adjustment, strength, and future modification for the user.



REEDY POWER CRAWLER MOTOR: The new Reedy Power 5-slot 16-turn brushed crawler motor provides ample torque with a smooth power delivery. This allows for slow precise acceleration while maintaining consistent power over rough terrain and obstacles.



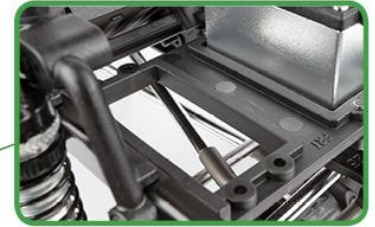
THREADED ALUMINUM SHOCK BODIES: Threaded aluminum and fluid-filled, these shocks keep the vehicle stable on the trail and retain oil even in the roughest terrain.

ENDURO

1/10 SCALE READY-TO-RUN OFF ROAD
TRAILWALKER 4X4



TRAILWALKER BODY includes pivoting side mirrors, windshield wipers, and front grill with LEDs.



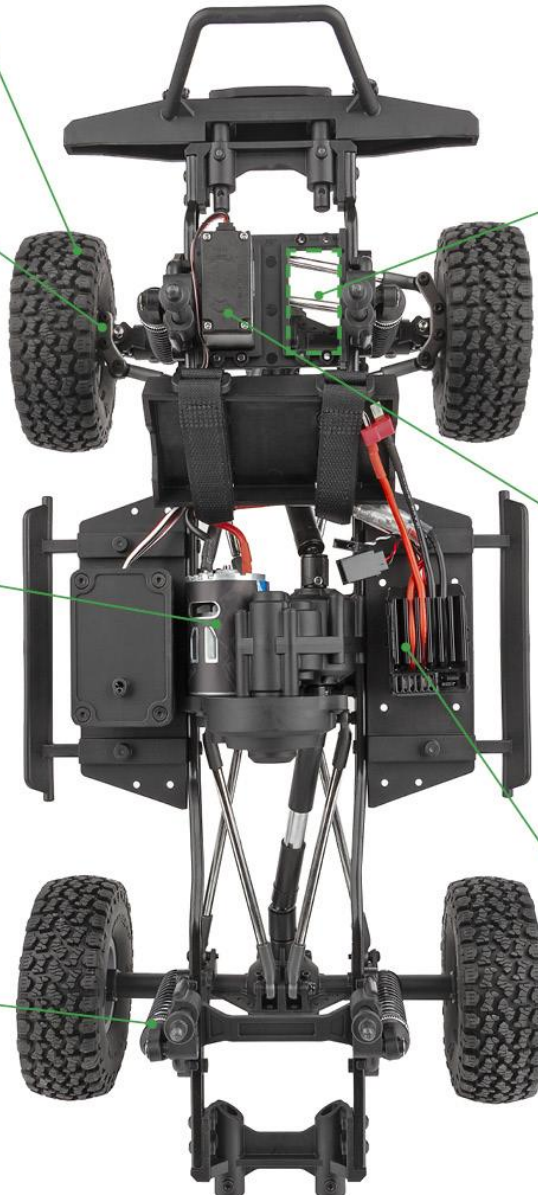
INTEGRATED SERVO WINCH MOUNT: Mounting a winch directly to the chassis is the strongest and most reliable spot on any trail rig. Positioned alongside the steering servo for overall chassis balance and weight distribution.



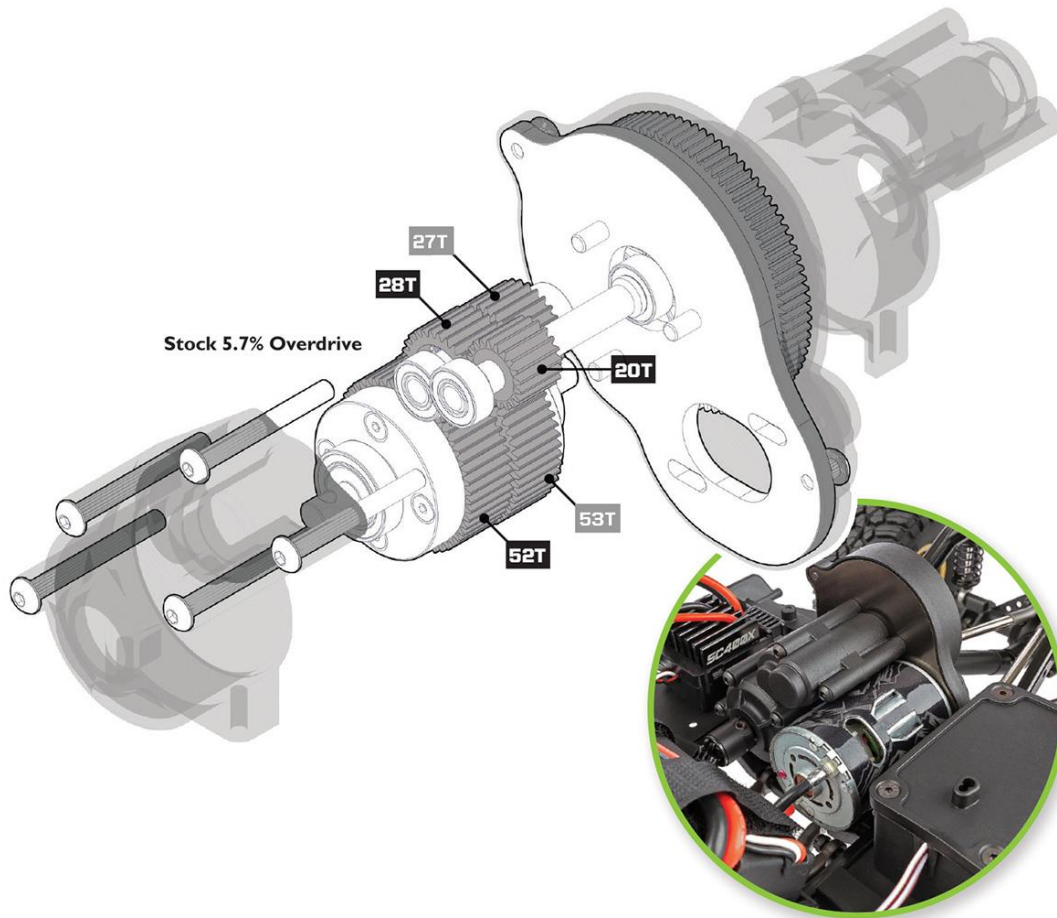
RADIO & SERVO: The XP130, 2.4GHz, 3-channel radio and receiver together with a Reedy Power 1320MG (metal gear) water resistant servo pushing out 173oz-in (12.5kg-cm) of torque at 6V is the perfect setup for keeping the Enduro under control on the trail.



REEDY POWER ELECTRONIC SPEED CONTROLLER (ESC): The water resistant SC400X brushed ESC is specifically programmed for crawling with proportional forward/reverse, dual auxiliary power output leads, LiPo low-voltage cutoff protections, and T-plug connector.

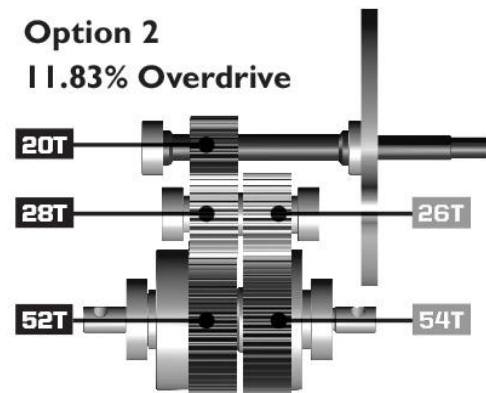
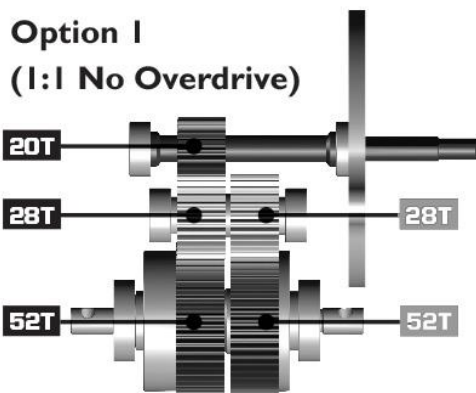


Due to ongoing R&D, photos may not match final kit. Vehicle shown on these pages equipped with items NOT included in kit: battery, battery charger, 4 AA batteries for radio.



STEALTH® X GEARBOX WITH ADJUSTABLE OVERDRIVE GEARS: At the heart of the Enduro is our revolutionary Stealth® X gearbox. Although the exterior appears to have a conventional 3-gear transmission look, the inside is far from conventional. The Stealth® X features the ability to adjust the rear drive ratio independently from the front drive in 3 levels.

- Stock (with 27T and 53T gears, above) overdrives the front end 5.7%.
- Option 1 (with 28T and 52T gears, below left) provides a one-to-one drive ratio front to rear.
- Option 2 (with 26T and 54T gears, below right) overdrives the front end 11.83% (included in RTR).



MORE FEATURES

- CMS (Chassis Mounted Servo)
- Adjustable front track bar
- Universal front drive axles
- Stamped steel frame rails
- Enclosed receiver box
- 12mm wheel hexes
- Adjustable front and rear bumper mounts
- Adjustable width rock sliders
- Two battery boxes
- Aluminum motor plate
- Adjustable body posts
- Optimized ball cups for more fluid axle articulation
- Adjustable rear shock mount positions
- Telescopic driveshaft's front and rear
- Extruded aluminum driveshaft splines
- One-piece rear axle design
- Splined front axle with adjustable caster
- Machined input pinion gear
- Metal ring gear
- Machined steel top shaft
- Metal idler gears
- Heavy duty 5mm diameter steel links
- Metal ball bearings included
- Officially licensed tires
- The **#40101C LiPo Combo** includes all this and the #758 Reedy battery and #27201 Reedy charger!

ALL IN THE DETAILS. No trail truck would be complete without a detailed and realistic looking body. The Trailwalker 4x4 is just that, with inspired styling from the 80's and 90's.

The Trailwalker comes equipped with a high-strength polycarbonate body that has been pre-painted to look fresh off the showroom floor. The Trailwalker body was designed for both looks and function, featuring a single-piece design with roll bar, injection-molded bumper and D-rings, windshield wipers, folding mirrors, and front grill with working LEDs.

The Trailwalker's pivoting side mirror design reduces the risk of losing mirrors while on trail. Drive your rig with confidence knowing it can handle navigating through tight technical rock features.

OFFICIALLY LICENSED TIRES. Gripping the trail is a set of officially licensed General Grabber™ A/T X tires molded in a high-performance, soft compound rubber. The General Grabber™ A/T tires are mounted on three-piece 1.55" beadlock wheels. No more worrying if your RTR tires will come unglued.

The Trailwalker 4x4 is ready to tackle the elements — your journey begins here.

UPC	Part No.	Description	MAP	MSRP	Available
784695401013	#40101	Enduro Trail Truck, Trailwalker RTR	\$349.99	\$509.99	September 2019
784695984554	#40101C	Enduro Trail Truck, Trailwalker RTR Combo	\$409.99	\$599.99	September 2019

General Grabber™ is a trademark of CONTINENTAL TIRE NORTH AMERICA, INC. CORPORATION
 Download all above available zipped photos here: <http://bit.ly/2ZiWxUS> (15.0 MB). Link is active for 30 days.

SPECIFICATIONS

Scale	1:10
Power	Electric
Length	varies
Width	varies
Weight	varies
Wheelbase	313mm (12.3")
Transmission Ratio	varies

ITEMS NEEDED TO COMPLETE

- Battery pack (recommend Reedy #758)
- Charger (recommend Reedy #27200)
- 4 AA batteries for radio (recommend Reedy #302)

IDEAL CUSTOMER

For trail truck enthusiasts



21062 Bake Pkwy
 Lake Forest CA 92630
www.AssociatedElectrics.com

