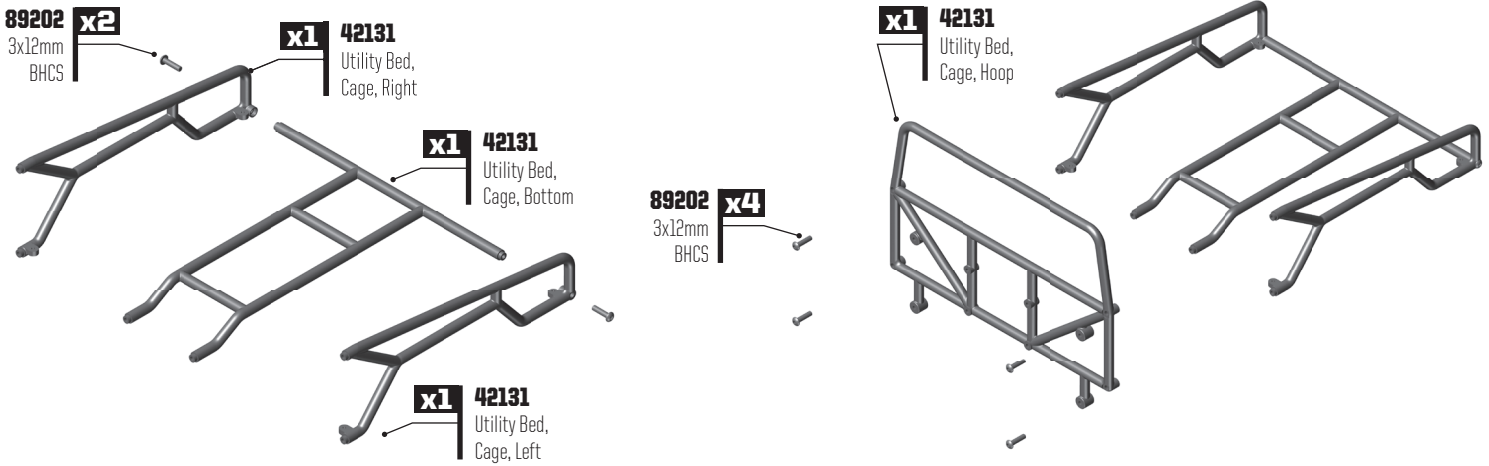
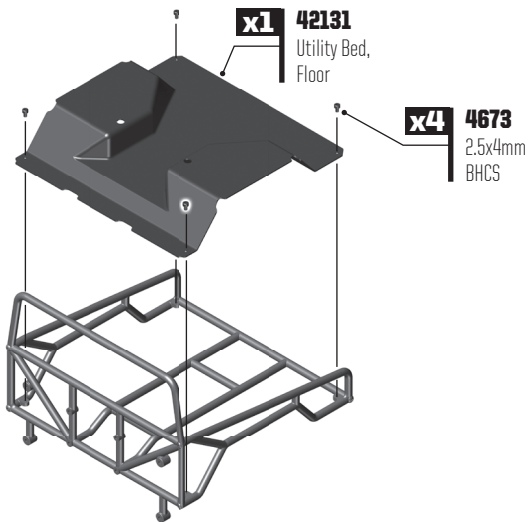


GATE 01 UTILITY BED: BAG 1



GATE 02 UTILITY BED: BAG 1



PAINTING:

Your Utility Bed Floor requires painting.

You will need to prep the floor before you can paint it.

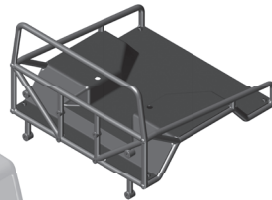
Wash the INSIDE thoroughly with warm water and liquid detergent (do not use any detergents with scents or added hand lotion ingredients!). Dry the floor using a clean, soft, lint-free cloth. You can use high quality masking tape, apply to the inside of the floor, to create a design. Spray (use either rattle can or airbrush) the paint on the inside of the floor (preferably dark colors first, lighter colors last). **NOTE: ONLY** use paint that is recommended for (polycarbonate) plastics. If you do not, you can destroy the floor! After the paint has completely dried (usually after 24 hours), cut the floor along the trim lines.

GATE 03 UTILITY BED: BAG 1



NOTE: There is extra hardware included for different body mounting needs.

- #89202 - 3x12mm BHCS, x4
- #252015 - M3 Locknut, x4



NOTE: Install bed mounts and 3x12mm FHCS inside the body

