

For Immediate Release: May 18, 2020

## Enduro Trailrunner RTR

#40104



**ELECTRIC** ▪ **OFF ROAD** ▪ **1:10 SCALE** ▪ **4 WHEEL DRIVE** ▪ **RTR**

**MODERN SCALE REALISM.** No trail truck would be complete without a detailed and realistic looking body. The Trailrunner 4x4 is just that, with inspired styling from today's off-road vehicles.

The Trailrunner comes equipped with a high-strength polycarbonate body that has been pre-painted to look fresh from the dealer showroom. The Trailrunner body was designed for looks, function and customization featuring a two-piece design with removable front lower valance, injection-molded fender flares, B-pillar appliques, door handles, windshield wipers, mirrors, and front grill installed right out of the box.

The looks don't stop there. Also included are injection-molded roof rack, three-piece front bumper with D-rings, snorkel, and accessory decal sheet. Now you can make your RTR your own without buying additional accessories.

So, whether the look you want is off the dealer lot, a weekend warrior, or full-blown off-road trail rig, the choice is yours--your journey begins here!

The **#40104C Trailrunner RTR LiPo Combo** includes all the above and the #758 Reedy 3000mAh 30C 7.4V Shorty Battery and #27201 Reedy Compact Balance Charger!

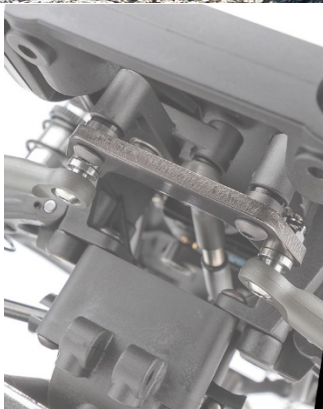
UPC	Part No.	Description	MAP	MSRP	Available
784695401044	#40104	Enduro Trailrunner RTR	\$389.99	\$569.99	June 2020
784695984172	#40104C	Enduro Trailrunner RTR LiPo Combo	\$439.99	\$639.99	June 2020

Download all above available zipped photos here: <https://bit.ly/2SkDh3y> (18.5 MB). Link is active for 30 days.

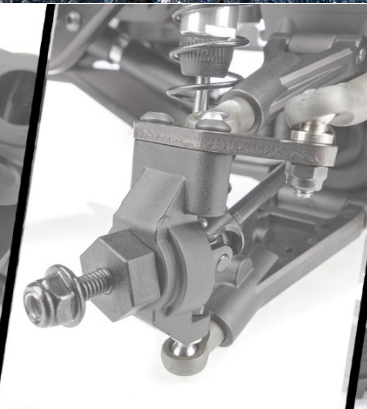




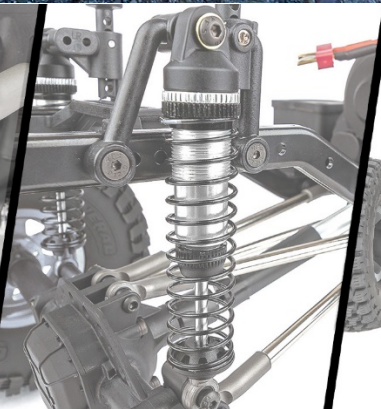
## ENDURO TRAILRUNNER 4x4 RTR



The included aluminum swing rack and steering plates give the IFS suspension a precise, solid feel.



100% compatible with steering blocks from previous Enduro chassis and allows up to 45° of steering.



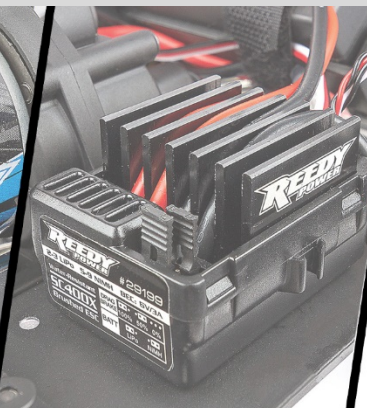
Threaded aluminum and fluid-filled, these shocks keep the vehicle stable on the trail and retain oil even in the roughest terrain.



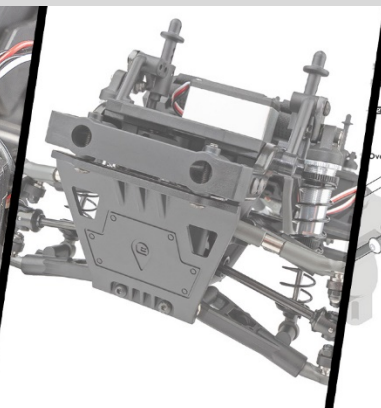
Provides maximum suspension articulation along with modern off-road vehicle suspension scale looks.



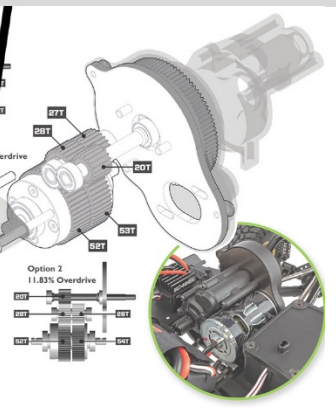
Reedy Power 5-slot 16-turn brushed crawler motor provides ample torque with a smooth power delivery.



SC400X brushed ESC is for crawling with proportional forward/reverse and dual auxiliary power output leads.

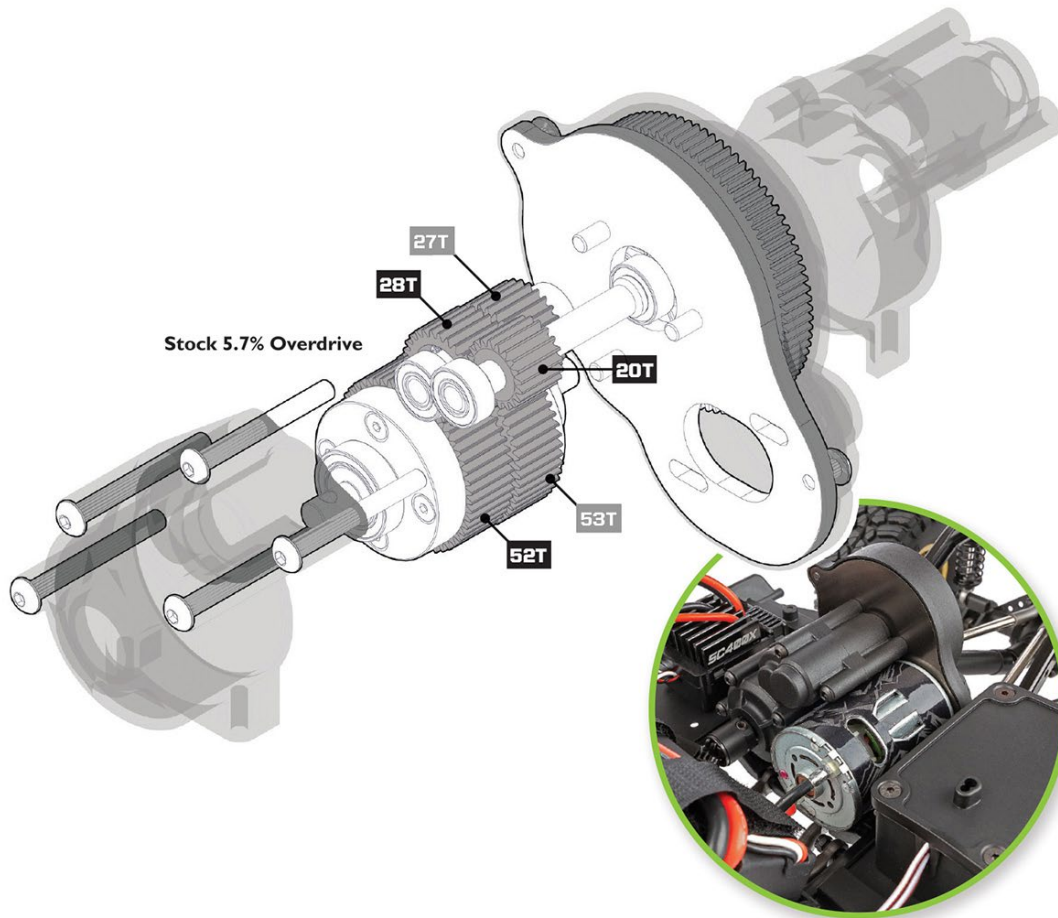


With durability, performance, agility, and scale looks, the Independent Front Suspension conversion kit shines.



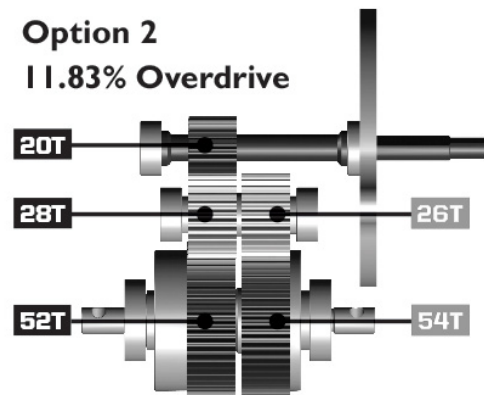
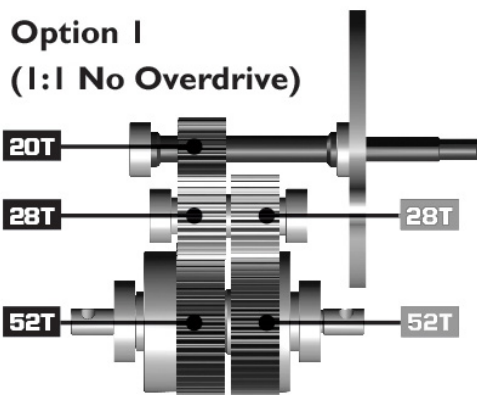
This trail truck comes equipped with IFS and is ready to tackle rough, off-road terrain right out of the box.





**STEALTH® X GEARBOX WITH ADJUSTABLE OVERDRIVE GEARS:** At the heart of the Enduro is our revolutionary Stealth® X gearbox. Although the exterior appears to have a conventional 3-gear transmission look, the inside is far from conventional. The Stealth® X features the ability to adjust the rear drive ratio independently from the front drive in 3 levels.

- Stock (with 27T and 53T gears, above) overdrives the front end 5.7%.
- Option 1 (with 28T and 52T gears, below left) provides a one-to-one drive ratio front to rear.
- Option 2 (with 26T and 54T gears, below right) overdrives the front end 11.83%.



## MORE FEATURES

- CMS (Chassis Mounted Servo)
- Universal front drive axles
- Stamped steel frame rails
- Enclosed receiver box
- 12mm wheel hexes
- Adjustable front and rear bumper mounts
- Adjustable width rock sliders
- Two battery boxes
- Aluminum Motor Plate
- Adjustable body posts
- Optimized ball cups for more fluid axle articulation
- Adjustable rear shock mount positions
- Telescopic driveshafts front and rear
- Extruded aluminum driveshaft splines
- One-piece rear axle design
- Machined input pinion gear
- Metal ring gear
- Machined steel top shaft
- Metal idler gears
- Heavy duty 5mm diameter steel links
- Metal ball bearings included

**Officially Licensed Tires.** Gripping the trail is a set of officially licensed General Grabber(TM) A/T X tires molded in a high-performance, soft compound rubber. The General Grabber™ A/T X tires are mounted on three-piece 1.55" beadlock wheels. No more worrying if your RTR tires will come unglued.

A performance rig built to endure. When hitting the trail, you want to do it with confidence and the answer is the all-new Enduro Trail Truck!

Feeding the power to the tires are **three-piece telescopic driveshafts** with an extruded aluminum center section, universal front drive axles, and hardened steel ring and pinion gears. With the Enduro drivetrain, delivering useful power will not be an issue.

With durability, performance, agility and scale looks in mind, the engineers at Area 51 Design Works came up with the **Independent Front Suspension conversion kit**. Now you can get that same kit in an RTR vehicle. Pre-assembled with the same quality and features, this trail truck comes equipped with IFS and is scale ready to tackle rough off-road terrain right out of the box.

The Enduro Trail Truck comes ready for adventure, with performance-driven **Reedy Power electronics**. The all-new, ultra-smooth and powerful, 16-turn 5-slot brushed crawler motor and Reedy Power SC400X electronic speed controller with T-plug connector, supply ample power to this tough rig. Controlling the beast on the trail is our new 3-channel XP130 2.4GHz radio and Reedy Power high-torque 1320MG metal gear servo.

## SPECIFICATIONS

<b>Scale</b>	1:10
<b>Power</b>	Electric
<b>Length</b>	Varies
<b>Width</b>	Varies
<b>Weight</b>	Varies
<b>Wheelbase</b>	313mm (12.3")
<b>Transmission Ratio</b>	Varies

## ITEMS NEEDED TO COMPLETE

- #40104: Battery pack (Reedy #758)
- #40104: Charger (Reedy #27201)
- #40104, 40101C: 4 AA batteries for radio

### WATCH THE VIDEO!



21062 Bake Pkwy  
Lake Forest CA 92630  
www.AssociatedElectrics.com

