

For Immediate Release: February 20, 2018

New! RC8T3.1 Team Kit

**RC8
T3.1
TEAM KIT**

1:8 Scale 4WD Nitro Off Road
Competition Truggy Kit



1:8 Scale 4WD Nitro Off Road Competition Truggy Kit

The RC8T3.1 has been overhauled with the latest upgrades from Team Associated! Many of the same winning features of the B3.1 have been integrated into this latest generation of the Team Associated T3 platform. The updates make the truck easier to drive, more consistent lap after lap, and are sure to make the new T3.1 a winner under any conditions.

The Area 51 engineers refined the suspension framework while also increasing durability and consistency on the track. An expansive line of option parts allows the RC8T3.1 to be tuned for specific driver demands and varying conditions.



RC8 T3.1 TEAM KIT



Pro-Line® Predator body included



Easily accessible front and rear differentials



Updated gearbox reduces differential movement for a more consistent gear mesh



New 4-shoe clutch provides precise power transfer and is easy to maintain



Strengthened front upper suspension arms for improved durability



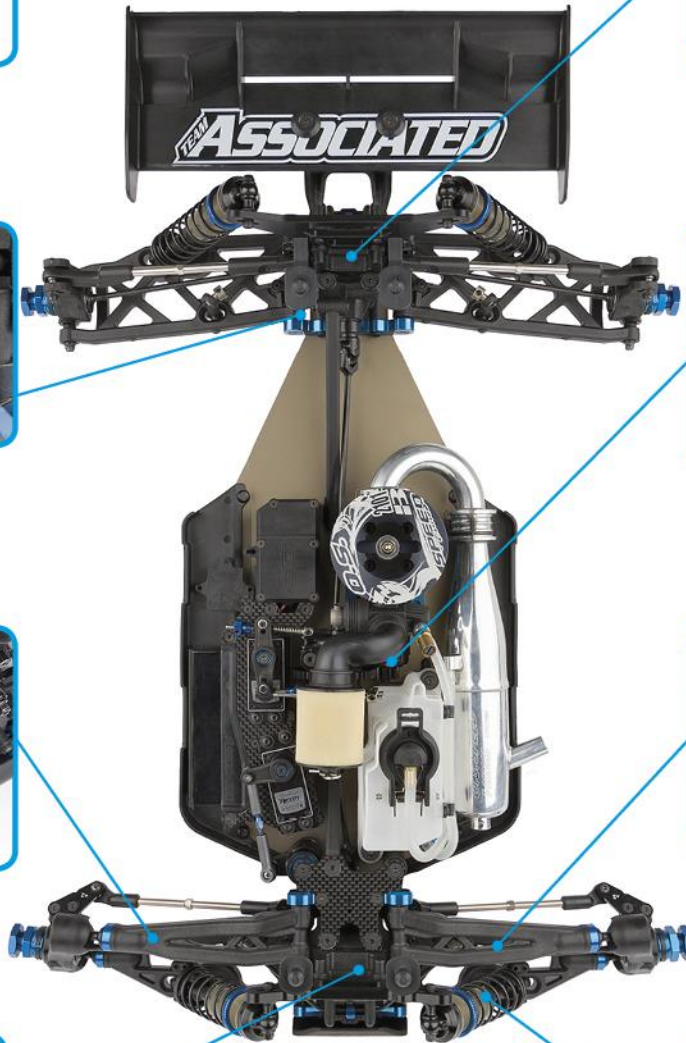
133mm CVA driveshafts increase traction and chassis support



V3 differentials with H.T.C. (High Torque Capacity) internal gears offer increased fluid capacity and more consistent feel lap after lap



16mm Big Bore 6061 aluminum shock bodies and bleeder-style caps, with new 20mm I.D. springs



Due to ongoing R&D, photos may not match final kit. Vehicle shown on these pages equipped with items NOT included in kit: engine, exhaust system, Reedy Power #27107 RT2207A servos, wheels and tires. Assembly and painting required.

RC8T3.1 Team Kit Features

- New 4-shoe clutch provides precise power transfer and is easy to maintain. Optional spring rates and clutch bells allow custom tuning for varying grip levels.
- V3 differentials with H.T.C. (High Torque Capacity) internal gears offer increased fluid capacity and more consistent feel lap after lap
- 133mm CVA driveshafts increase traction and chassis support
- Suspension arms have been updated to race specs
- Strengthened front upper suspension arm for improved durability
- Updated gearbox reduces differential movement for a more consistent gear mesh
- All suspension arm pivots have been revised for more ground clearance, resulting in better jumping and landing while also improving durability
- 16mm Big Bore 6061 aluminum shock bodies with bleeder-style caps
- 20mm I.D. shock springs for optimal spring rates
- +2mm steering block arms included for a smooth and precise steering feel
- Highly efficient drivetrain utilizes straight-cut bevel gears to provide great acceleration and run time
- Improved servo saver assembly
- Hard-anodized 7075 aluminum chassis with keyed lower suspension plates
- Pro-Line® Predator body included
- Enclosed receiver box
- Full Factory Team rubber-sealed ball bearings
- Easily accessible front and rear differentials
- High parts compatibility with RC8B3.1e, RC8B3.1, and RC8T3.1e models, offering the perfect solution for multi-class racers

RC8T3.1 Team Kit Specifications

Scale	1:8
Power	Nitro
Length	560mm (22.05")
Width	Varies*
Weight	Varies*
Wheelbase	376.5mm (14.82")
Drive	4WD

**This vehicle comes as a kit and must be fully assembled by the user. Electronics and an engine are required. Final length, width and weight will vary with the actual electronics and tires used to complete the kit.*

UPC: 784695 809376	#80937	RC8T3.1 Team Kit	MAP: \$609.99	MSRP: \$919.99	Available: February 2018
-----------------------	--------	------------------	------------------	-------------------	-----------------------------

Search and download photos at: <https://www.teamassociated.com/products/vehicles/>

