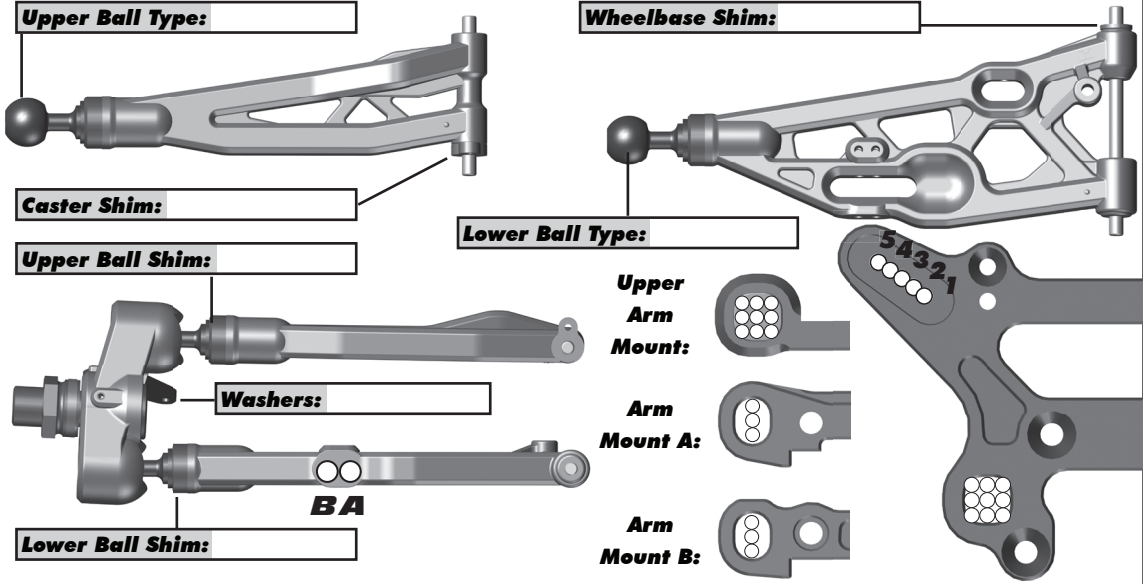


Front Suspension:

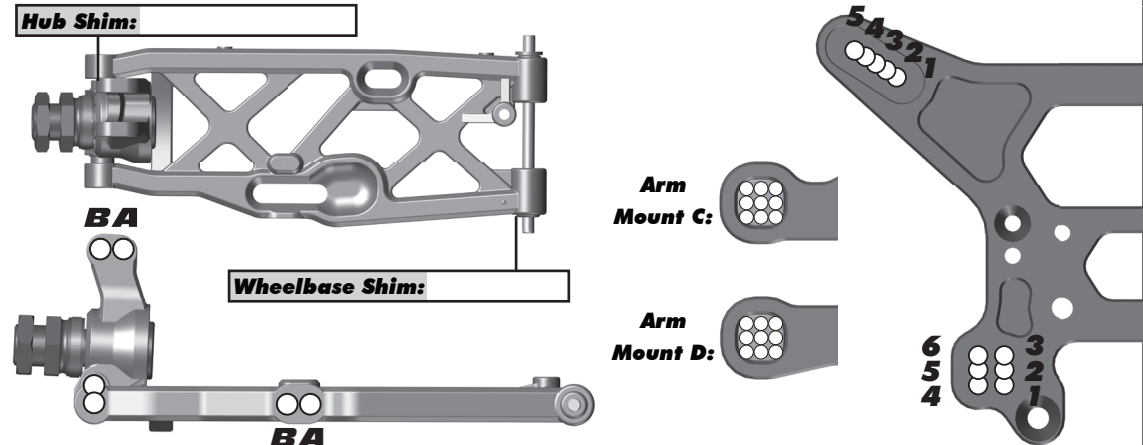
Ride Height: _____
Camber: _____
Toe: _____
Anti-Roll Bar
Size: _____
Gap: _____
Ackerman
Notes: _____
 1
2
3
4
5

Drive Shaft: CVAs: Universals:
Chassis Brace: Short: Long:
Hex: _____
Notes: _____



Rear Suspension:

Ride Height: _____
Camber: _____
Anti-Roll Bar
Size: _____
Gap: _____
Drive Shaft: CVAs: Universals:
Chassis Brace: Short: Long:
Hex: _____
Notes: _____



Electronics:

Radio: _____
Servo: _____
EPA: Throttle: _____ % Brake: _____ %
EXPO: Throttle: _____ % Brake: _____ %
ESC: _____
Motor: _____
Battery: _____
Notes: _____

Differential:

	Fluid	Gear Set	Planet O-Rings
Front:			
Center:			
Rear:			

Gearing:
Spur Gear: _____ **Pinion:** _____
Notes: _____

Shocks:

	Front	Rear
Piston:		
Fluid:		
Cap:		
Rebound:		
Spring:		
Free Length:		

Notes: _____

Track Info:

Size: Small Medium Large Extra Large
Surface: Dirt Carpet AstroTurf Multi Surface
Traction: Low Medium High Very High
Moisture: Dry Damp Wet
Condition: Indoor Outdoor Dusty Hard Packed
 Bumpy Grooved Smooth Loamy
Temperature: Ambient: _____ Track: _____
Notes: _____

Tires:

Front Tires: _____
Front Compound: _____
Front Insert: _____
Rear Tires: _____
Rear Compound: _____
Rear Insert: _____
Wheel (F/R): _____
Notes: _____

Body, Wings:

Body: _____
Wing: _____
Wing Height: High: Low:
Gap to Tower: _____
Weight:
Total Vehicle Weight: _____
Notes: _____

Vehicle Comments:

Notes: _____