

RC10 BB61 FACTORY LITE

#90022 RC10B6.1-F1 Team Kit

1:10 Scale 2WD Electric Off Road
Competition Buggy Kit



1:10 Scale 2WD Electric Off Road Competition Buggy Kit Manual & Catalog



CHAMPIONS *by* DESIGN

TeamAssociated.com

TEAM ASSOCIATED

:: Introduction

Thank you for purchasing this Team Associated product. This assembly manual contains instructions and tips for building and maintaining your new vehicle. Please take a moment to read through the manual and familiarize yourself with the steps. We are continually changing and improving our designs; therefore, actual parts may appear slightly different than the illustrations. New parts will be noted on supplementary sheets located in the appropriate parts bags. Check each bag for these sheets before you start to build.

:: RC10B6.1 Factory Light KIT Features

- Direct drives system for reduced weight and better acceleration
- MIP™ 7075-T6 aluminum outdrives
- MIP™ Bi-Metal lightweight 67mm cva bones
- Adjustable diff height can be matched to various ride heights
- Machined pistons included for better fit and smoother operation
- V2 springs for a more reactive and nimble feel
- One piece shock bushing to make assembly easier
- Molded spur gear guard to help protect body from damage
- 3-gear Lay Down Stealth® transmission for lower and forward CG
- Lightweight aluminum top shaft
- Innovative rear arm with molded inserts for ultra-fine lower shock mount adjustment
- Aluminum C and D arm mount included for large range of anti-squat and toe adjustment
- Heavy-duty V2 routed graphite front shock tower w/tower guard
- Factory Team upgraded ball bearing kit included (now oiled instead of greased for less drag)
- Aluminum rear clamping hex and front axel with laser etching (7.0mm B6.1-FL)
- Rear hubs feature large bearings and the easy-insert system to adjust camber link position and rear axle height
- JConcepts lightweight B6 clear body and wing included

:: Additional

Your new B6.1 FL Team Kit comes unassembled and requires the following items for completion (refer to catalog section for suggestions):

- R/C two channel surface frequency radio system
- AA-size batteries for transmitter (#302 alkaline)
- Electronic Speed Control, ESC (#27002, 27003, 27004, 27005)
- Steering servo (#27106, 27107, 27108, 27109)
- R/C electric motor
- Pinion gear (48P), size determined by type/turn or kV of motor
- Battery charger (a peak detection charger, or LiPo compatible charger)
- 2 cell LiPo battery pack (#27318, 27322, 27323, 27324)
- Polycarbonate specific spray paint

- Cyanoacrylate glue (CA)(#1597)
- Thread locking compound (#1596)
- Tires and Inserts, Fronts and Rears
- Wheels w/12mm Hex
Front Wheels #9690, #9691, #91572, #91573
Rear Wheels #9695, #9696, #91570, #91571

Tools included:

- Allen wrenches 1.5mm, 2.0mm, 0.050", 1/16"
- #1113 12mm Shock Tool
- Multi-wrench

:: Other Helpful Items

- Silicone Shock Fluid (Refer to catalog for complete listings)
- Body Scissors (AE Part # 1737)
- FT Hex/Nut Wrenches (AE Part # 1519)
- Soldering Iron
- FT Dual Turnbuckle Wrench (#1114)
- Reamer / Hole Punch
- Needle Nose Pliers
- Calipers or a Precision Ruler
- FT Universal Tire Balancer (#1498)
- Shock Pliers (#1675)
- FT Ballcup Wrench (#1579)
- Green Slime shock lube (AE Part # 1105)
- Wire Cutters
- Hobby Knife


















Associated Electrics, Inc.
26021 Commercentre Dr.
Lake Forest, CA 92630



Customer Service
Tel: 949.544.7500
Fax: 949.544.7501

:: Hardware - 1:1 Scale View








Button Head (bhcs)

| | |
|--|--|
|  | 2x4mm (31510) Aluminum (8545) |
|  | 2.5x6mm (31520) |
|  | 2.5x8mm (31521) |
|  | 2.5x10mm (31522) |
|  | 3x4mm (91158) |
|  | 3x5mm (31530) |
|  | 3x6mm (31531) Aluminum (8550) Titanium (91580) |
|  | 3x8mm (31532) Aluminum (8552) Titanium (91581) |
|  | 3x10mm (25211) Aluminum (8554) Titanium (91582) |
|  | 3x12mm (89202) Titanium (91583) |
|  | 3x14mm (25187) Titanium (91584) |
|  | 3x16mm (89203) Titanium (91585) |
|  | 3x18mm (2308) |
|  | 3x20mm (25188) Titanium (91587) |
|  | 3x22mm (25189) Titanium (91588) |
|  | 3x24mm (89204) Titanium (91589) |
|  | 3x30mm (91478) |




Cap Head (shcs)

| | |
|--|--------------------------|
|  | 1.6 x 5mm (91611) |
|--|--------------------------|





Flat Head (fhcs)

| | |
|---|--|
|  | 2x3mm (91743) |
|  | 3x8mm (25201) Aluminum (8553) Titanium (91592) |
|  | 3x10mm (25202) Aluminum (8555) Titanium (91593) |
|  | 3x12mm (25203) Aluminum (8556) Titanium (91594) |
|  | 3x14mm (89208) Aluminum (8567) Titanium (91595) |
|  | 3x16mm (25204) Titanium (91596) |
|  | 3x18mm (89209) Titanium (91597) |

Set Screws

| | |
|---|------------------------|
|  | 3x2.5mm (31500) |
|  | 3x3mm (25225) |
|  | 3x10mm (4671) |






Shims and Washers

| | |
|---|-----------------------------|
|  | 5.5x0.5mm (31381) |
|  | 5.5x1.0mm (31382) |
|  | 5.5x2.0mm (31383) |
|  | 3x8mm Washer (89218) |

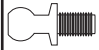
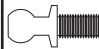



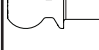







Diff Balls

| | |
|---|---------------------------------------|
|  | 5/64 Diff Thrust Balls (6574) |
|  | 3/32 Carbide Diff Balls (6581) |
|  | 3/32 Ceramic Diff Balls (6584) |








Ball Bearings

| | |
|---|--------------------------|
|  | 3x7x3mm (91475) |
|  | 5x8x2.5mm (31400) |
|  | 5x10x4mm (91560) |
|  | 6x13x5 (91562) |
|  | 10x15x4 (91563) |

Ballstuds

| | |
|---|------------------------------------|
|  | Silver 5mm long (31283) |
|  | Ti Nitride 5mm long (31291) |
|  | Silver 8mm long (31284) |
|  | Ti Nitride 8mm long (31292) |
|  | HD 6mm (91047) |
|  | Ti Nitride HD 6mm (91118) |
|  | Ti HD 6mm (91751) |
|  | HD 8mm (91048) |
|  | Ti Nitride HD 8mm (91119) |
|  | Ti HD 8mm (91752) |
|  | HD 10mm (91049) |
|  | Ti Nitride HD 10mm (91120) |
|  | Ti HD 10mm (91753) |

Nuts (lock/plain)

| | |
|---|--|
|  | M3 Nut (91477) |
|  | M3 Alum. Locknut, Blue (31550) |
|  | M3 Locknut, Black (25215) |
|  | M3 Locknut w/Flange (25612) |
|  | FT 3mm Locknuts, Blue(25392) |
|  | M4 Locknuts: |
|  | Serrated Steel (Silver)(91826) |
|  | Flanged (Black) (91148) |
|  | FT Aluminum (Blue) (31551) |
|  | Serrated Aluminum (Black) (91738) |

Notes:

:: Table of Contents

| | |
|-------------------------------|---------------------------------|
| 1..... Cover | 13.....Bag 7 |
| 2..... Introduction | 14.....Bag 8 |
| 3.....1:1 Hardware "Fold Out" | 15 - 16.....Bag 9 |
| 4..... Table of Contents | 16 - 19.....Bag 10 |
| 5.....Bag 1 | 19 - 21..... Tuning Tips |
| 5 - 8.....Bag 2 | 22 - 30.....Catalog |
| 8 - 9.....Bag 3 | 31..... Notes / Contact Info |
| 9 - 10.....Bag 4 | 32..... Setup Sheet "Kit Setup" |
| 10 - 11.....Bag 5 | 33..... Setup Sheet "Blank" |
| 11 - 12.....Bag 6 | 34..... Back Cover |

:: Notes

This symbol indicates a special note or instruction in the manual.



This symbol indicates a Racers Tip.



There is a 1:1 hardware foldout page in the front of the manual. To check the size of a part, line up your hardware with the correct drawing until you find the exact size. Each part in the foldout has a number assigned to it for ordering replacement parts.

**Associated Electrics, Inc.
26021 Commercentre Dr.
Lake Forest, CA 92630**



**Customer Service
Tel: 949.544.7500
Fax: 949.544.7501**

:: Bag 1 - Step 1

31382 $\Sigma 2$
FT Ballstud Washer, Aluminum (1mm)

91048 $\Sigma 2$
Heavy-duty Ballstud, 8mm

91475 $\Sigma 4$
3 x 7 x 3 Ball Bearing

91667
Steering Rack

31382 $\Sigma 2$
FT Ballstud Washer, Aluminum (1mm)

91667
Steering Bellcrank (Right)

91667
Steering Bellcrank (Left)

91475 $\Sigma 4$
3 x 7 x 3 Ball Bearing

Front
TOP

Note orientation of steering rack.

:: Bag 1 - Step 2

91667
Steering Bellcrank Brace

91678 $\Sigma 2$
M3 x 20mm BHCS Shouldered

89202 $\Sigma 2$
M3 x 12mm BHCS

31283
5mm Ball Stud, Long

91049 $\Sigma 2$
Heavy-duty Ballstud, 10mm

31382 $\Sigma 2$
FT Ballstud Washer, Aluminum (1mm)

91766
Front Ball Stud Mount

The steering bellcrank brace has offsets on one side. They should be installed towards the bearings.

Do not overtighten steering bolts. Make sure there is free movement in the steering rack.

:: Bag 2 - Step 1

91656
Bulkhead

91765
Chassis, B6.1

25204 $\Sigma 2$
M3 x 16mm FHCS

There are two bulkhead settings (25°, 30°). 25° is the standard used. The arrow should point forward for the desired setting.

25°
v0E

:: Bag 2 - Step 2

91652
Side Rails
(L & R)

91734
Battery
Foam, B6



#91734 - Battery Foam
There are two thickness
options to accommodate
any battery size.

25202 x4
M3 x 10mm
FHCS

25201 x3
M3 x 8mm
FHCS

:: Bag 2 - Step 3

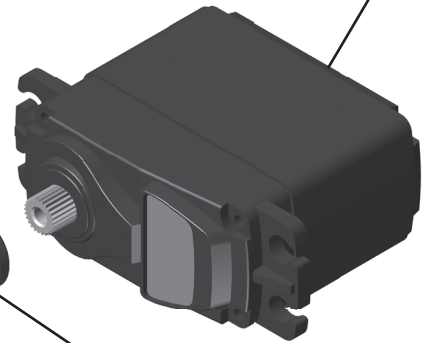
91820 x2
Steering
Link, B6.1

31382
FT Ballstud
Washer, aluminum
(1mm)

4671
M3x10mm
Set Screw

Servo not
included!

31284
8mm Ball
Stud, Long



91728
Servo Horn
Ring

Tighten the steering link ball cups all the way until snug.

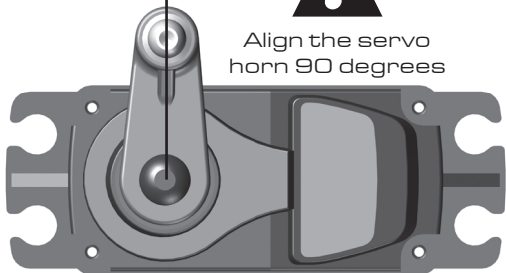
31532
M3 x 8mm
BHCS

91728
Servo
Horn

:: Bag 2 - Step 4

A - Airtronics
F - Futaba
H - Hitec
J - JR
Printed here

Align the servo horn 90 degrees



91719 x2
Servo
Mount

#1596
Thread Lock

91728 x2
Servo
Spacers

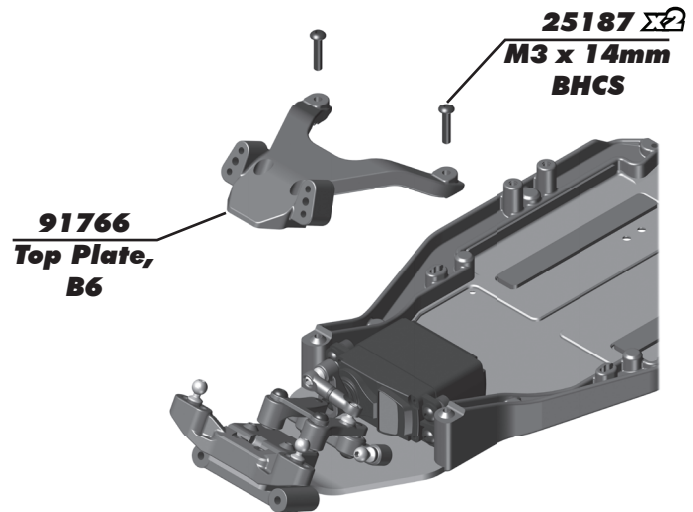
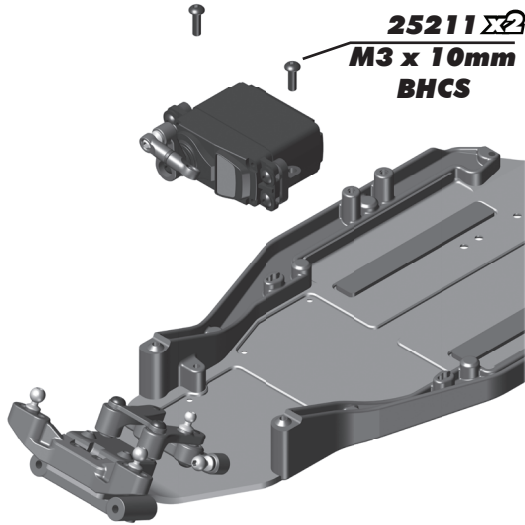
31532 x4
M3 x 8mm
BHCS

89218 x4
M3 x 8mm
Washer

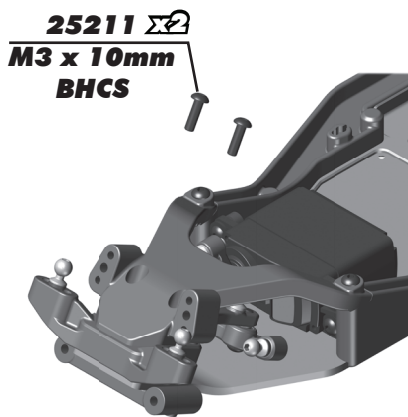


#91728 - Servo Spacers are not required for all servos.

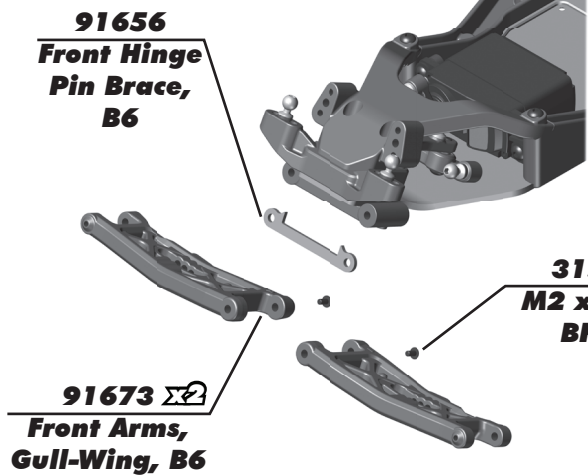
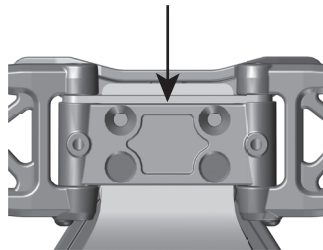
:: Bag 2 - Step 5



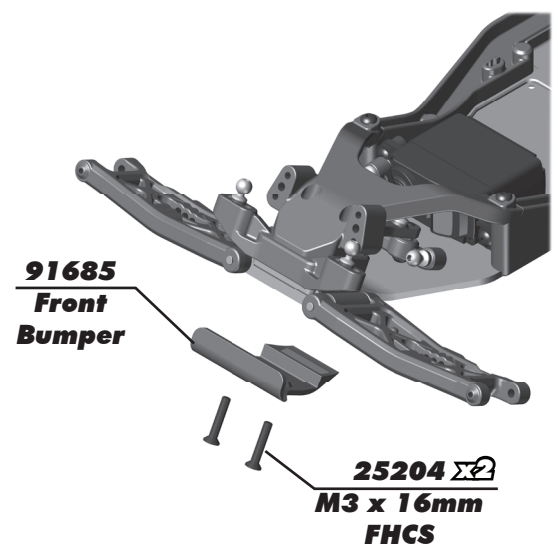
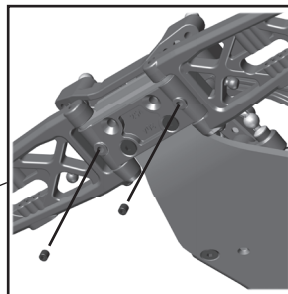
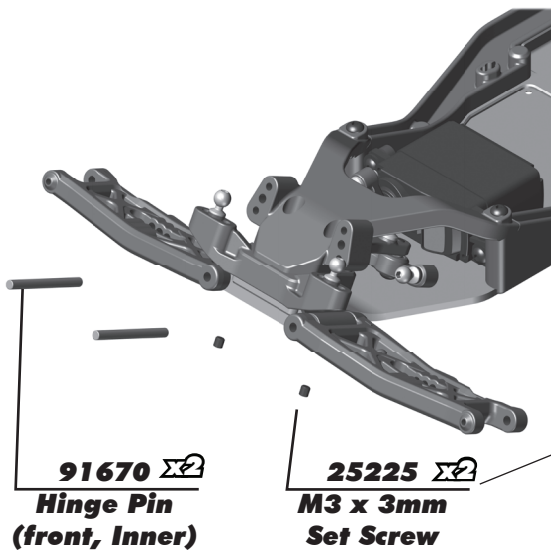
:: Bag 2 - Step 6



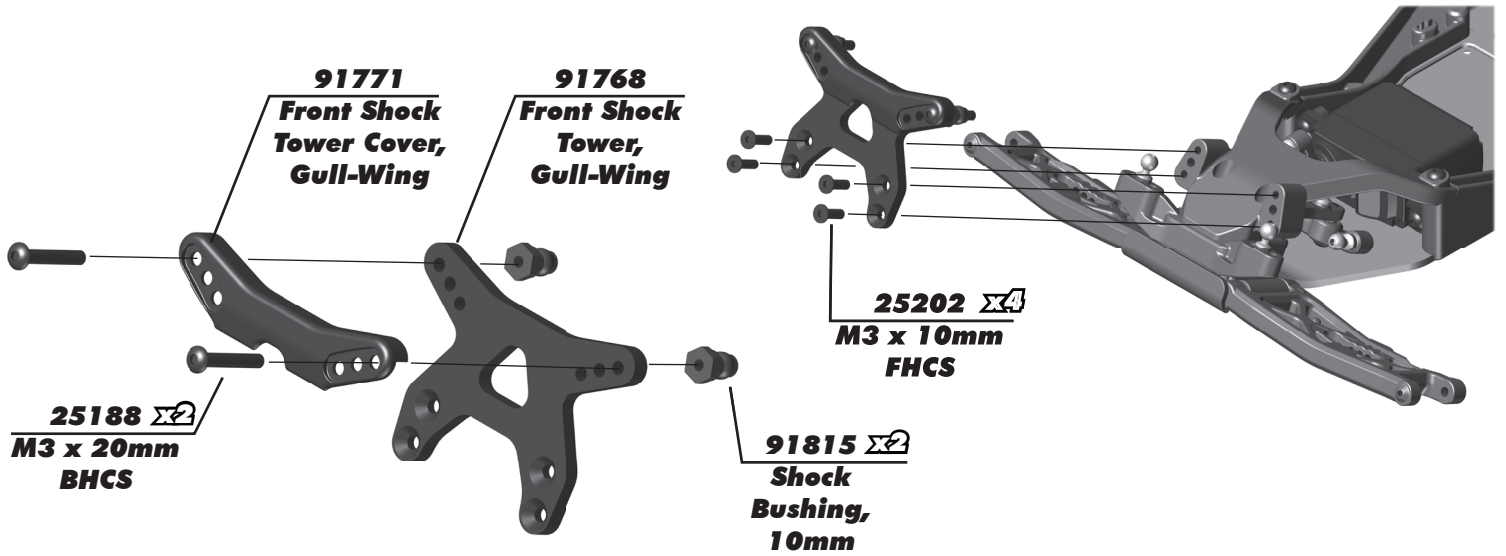
The front hinge pin brace has a sharp edged side, and a rounded edge side. Mount the sharp edge side towards the bulkhead.



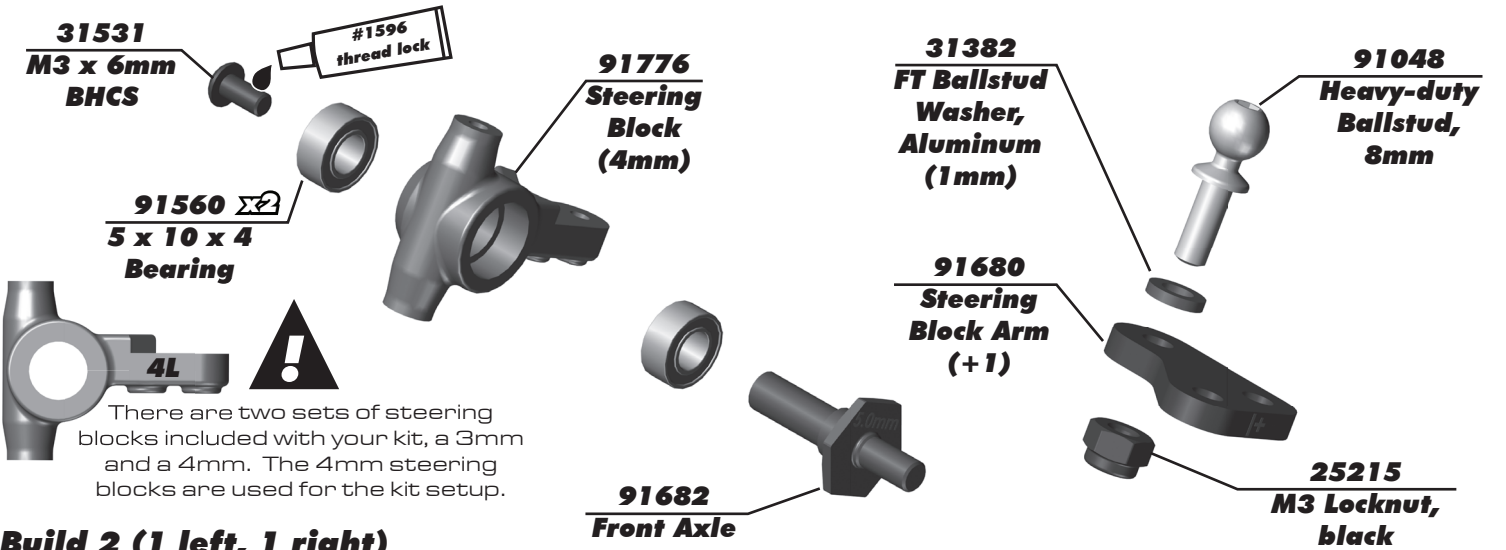
:: Bag 2 - Step 7



:: Bag 2 - Step 8

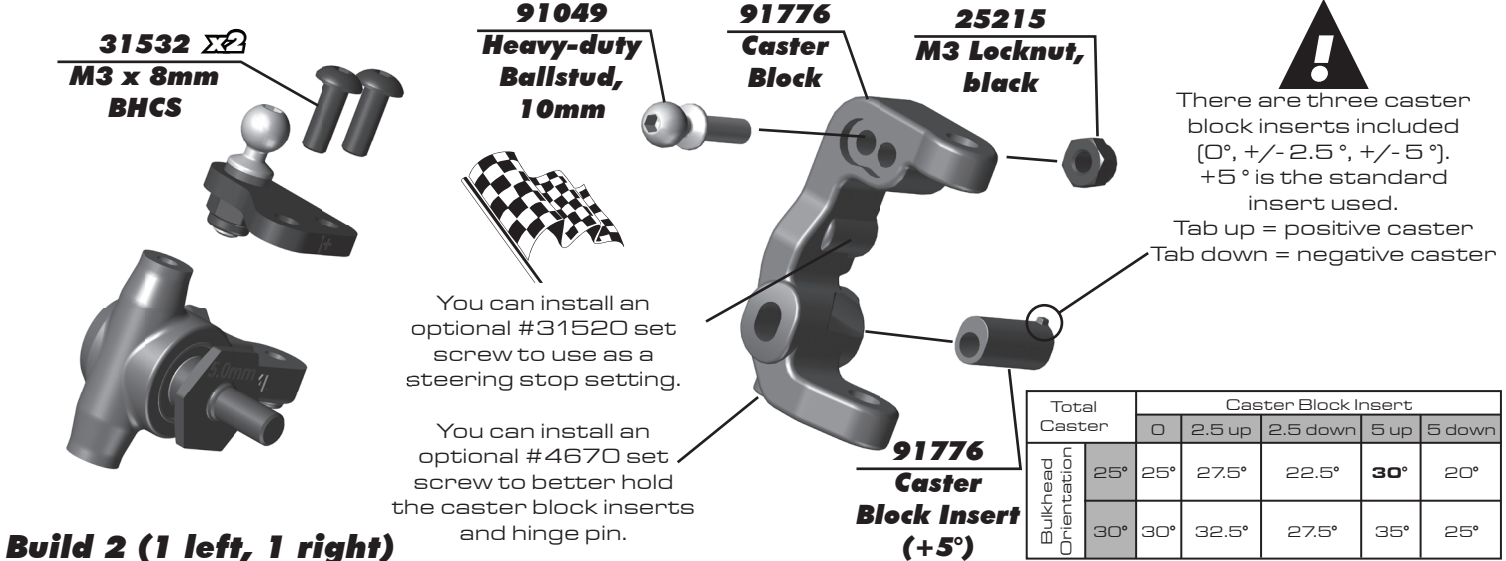


:: Bag 3 - Step 1



Build 2 (1 left, 1 right)

:: Bag 3 - Step 2

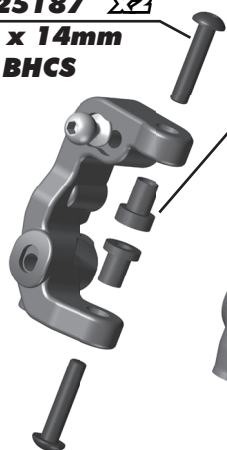


Build 2 (1 left, 1 right)

| Bulkhead Orientation | Total Caster | Caster Block Insert | | | | |
|----------------------|--------------|---------------------|--------|----------|------|--------|
| | | 0 | 2.5 up | 2.5 down | 5 up | 5 down |
| 25° | 25° | 27.5° | 22.5° | 30° | 20° | |
| 30° | 30° | 32.5° | 27.5° | 35° | 25° | |

:: Bag 3 - Step 3

25187 $\Sigma 2$
M3 x 14mm
BHCS

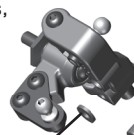


91676 $\Sigma 2$
Caster Hat
Bushing
Top: 2mm
Bottom: 1mm

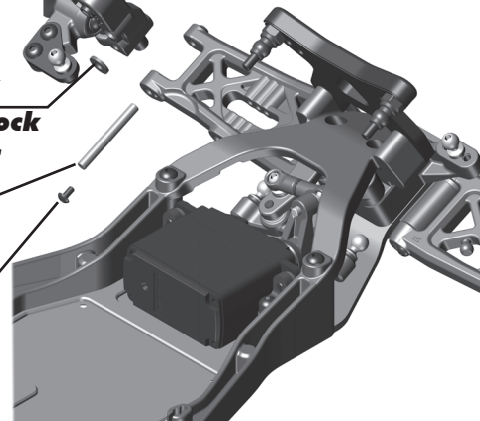


#91670 - Hinge Pin will be tight in the caster blocks, but should rotate freely in the front arms.

91776
Caster Block
Spacer



91670 $\Sigma 2$
Hinge Pin
(front, Outer)

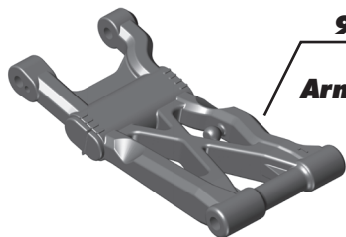


31510
M2 x 4mm
BHCS

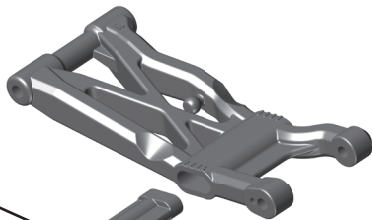
Build 2 (1 left, 1 right)

Build 2 (1 left, 1 right)

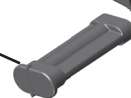
:: Bag 4 - Step 1



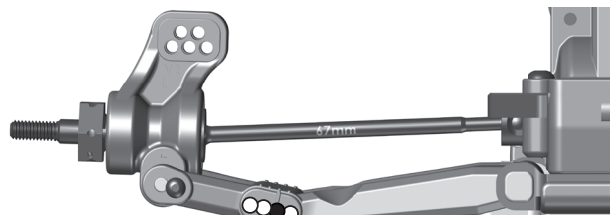
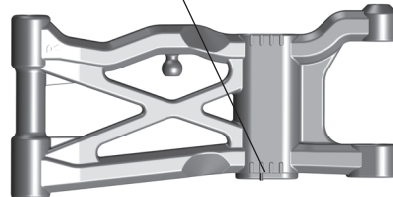
91777 $\Sigma 2$
Rear
Arms (L&R)



91777 $\Sigma 2$
Rear Arm
Threaded
Insert



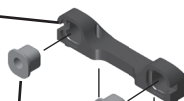
Install the rear arm threaded insert in the same position for the left and right side arms!



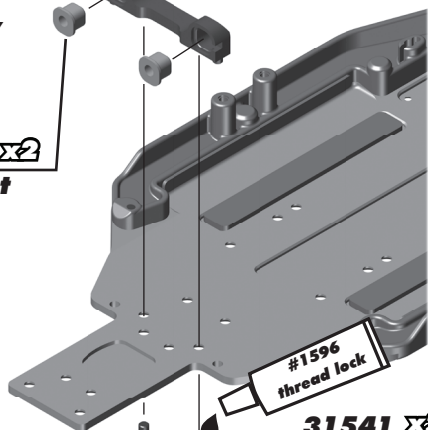
DCBA

:: Bag 4 - Step 2

91772
Aluminum
Arm Mount,
C



92014 $\Sigma 2$
Arm Mount
Inserts
(up, 0.5°)



#1596
thread lock

31541 $\Sigma 2$
M3 x 6mm
FHCS



Center 0.5° Up

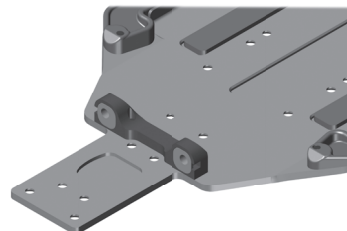
92014 $\Sigma 2$
Arm Mount
Inserts
(up, 0.5°)



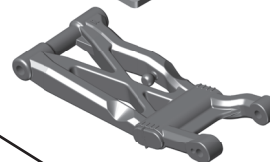
91685
Rear
Bumper



91688
Aluminum
Arm Mount, D



91670
Hinge Pin
(rear, Inner)



Center 0.5° Up







:: Bag 4 - Step 3



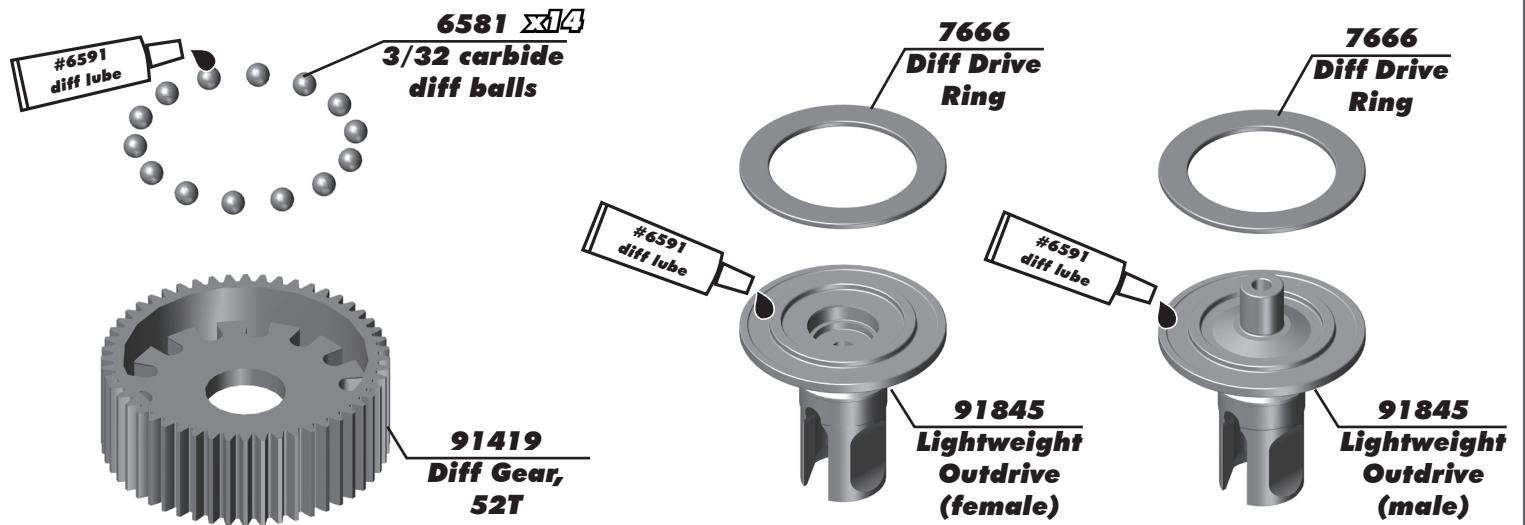
The (#91772) C and (#91688) D aluminum arm mounts allow for a large amount of setup combinations when using the (#92014) 0.5° and 1° arm mount inserts.

For a complete list of pill setup combinations, please visit our website by using the link below.

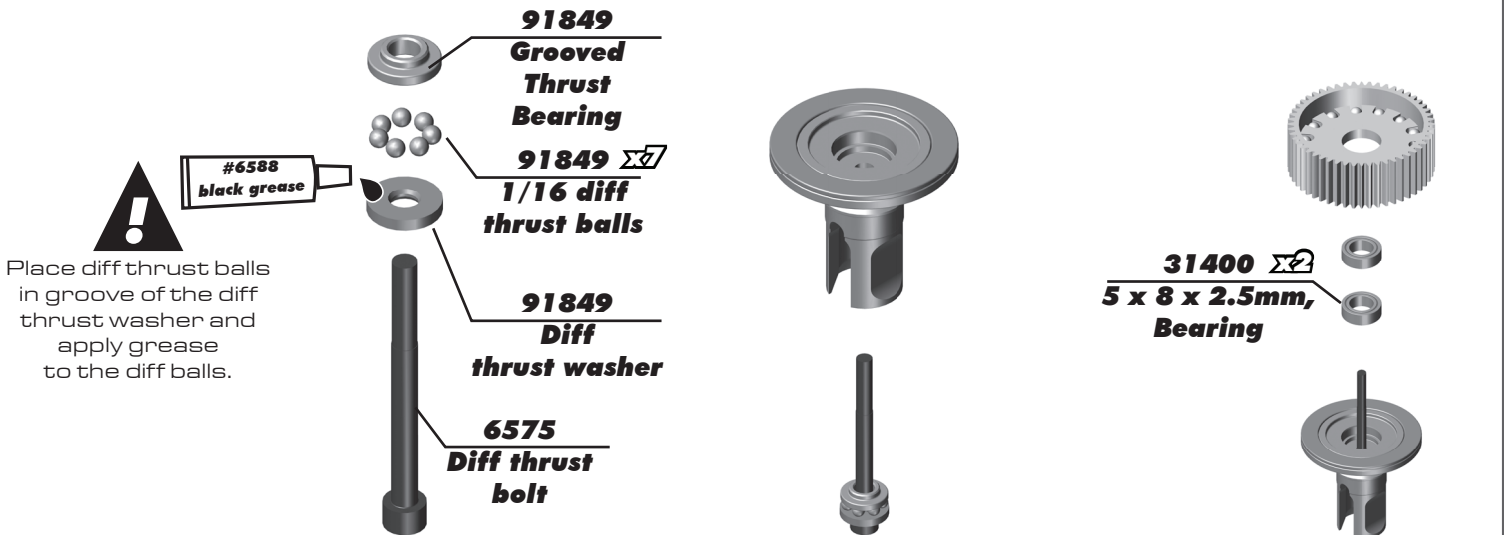
https://www.teamassociated.com/pdf/cars_and_trucks/shared/6-Series_C_D_Mount_Pill_Chart.pdf

| | Toe-In | Anti-Squat |
|--|-----------------|-----------------|
|  C Plate Center 0.5° Up  D Plate Center 0.5° Up | 3° Kit Setup | 1° Kit Setup |
| Commonly used setups | | |
|  C Plate Center  D Plate Center | 3° | 1° |
|  C Plate 1° Up  D Plate Center | 3° | 2° |

:: Bag 5 - Step 1



:: Bag 5 - Step 2



:: Bag 5 - Step 3

!
Compress spring first.

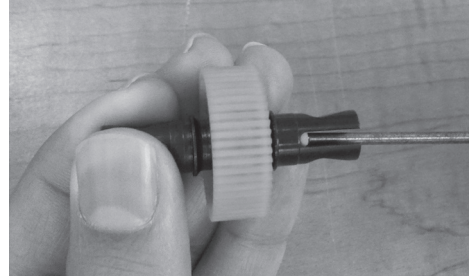


6575
Locking
t-nut

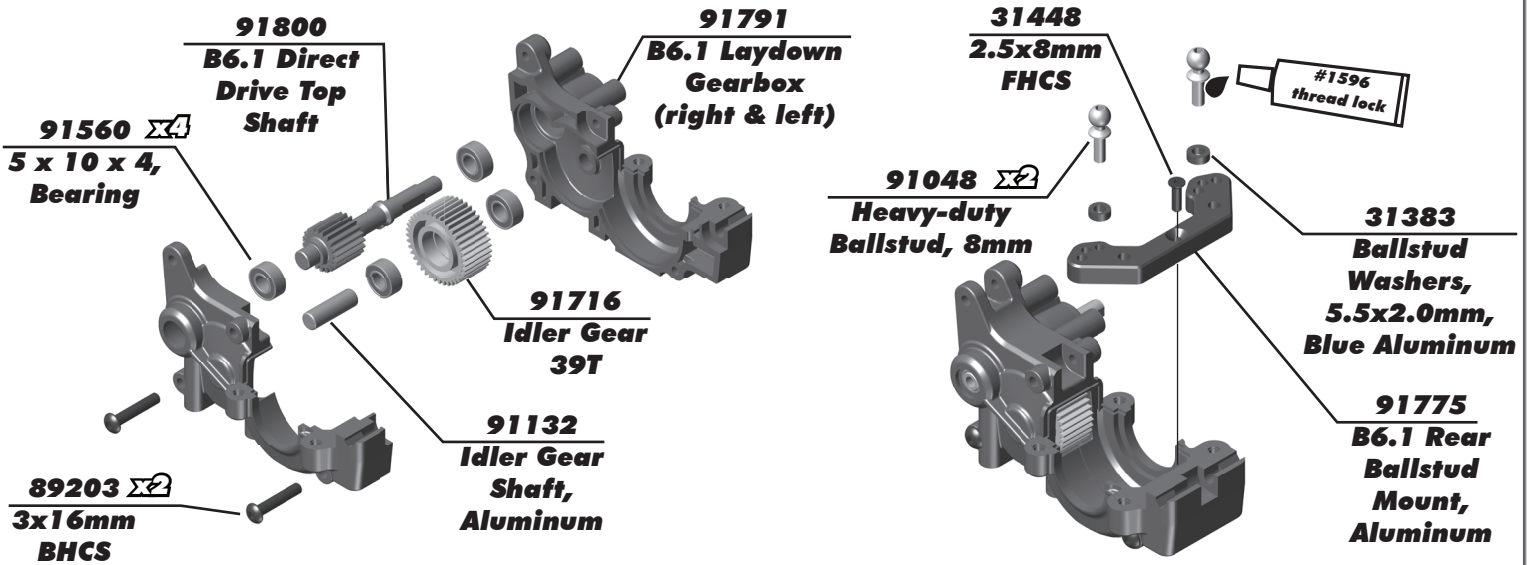
6582
Diff
thrust
spring

6575
Diff
cover

As you tighten the diff bolt, you will notice the T-nut ears moving closer to the bottom of the outdrive slot. This compresses the spring behind the T-nut. The spring should be completely compressed at the time the T-nut reaches the end of the slot. Caution! Pay close attention to the feeling when the spring is completely compressed. Do not overtighten the bolt. When you feel the spring completely compressed, loosen the diff bolt 1/8" of a turn. Your diff should now operate smoothly but with resistance as the outdrives move in opposite directions. After you have driven the car once, re-check the diff setting.



:: Bag 6 - Step 1



91800
B6.1 Direct
Drive Top
Shaft

91791
B6.1 Laydown
Gearbox
(right & left)

31448
2.5x8mm
FHCS

91560 x4
5 x 10 x 4,
Bearing

91048 x2
Heavy-duty
Ballstud, 8mm

#1596
thread lock

31383
Ballstud
Washers,
5.5x2.0mm,
Blue Aluminum

91716
Idler Gear
39T

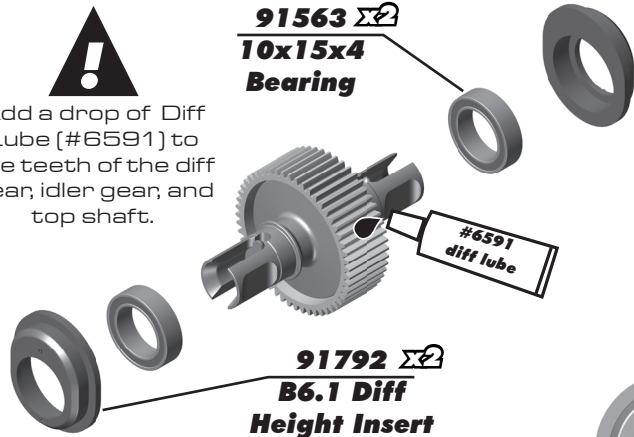
91775
B6.1 Rear
Ballstud
Mount,
Aluminum

89203 x2
3x16mm
BHCS

91132
Idler Gear
Shaft,
Aluminum

:: Bag 6 - Step 2

!
Add a drop of Diff Lube (#6591) to the teeth of the diff gear, idler gear, and top shaft.

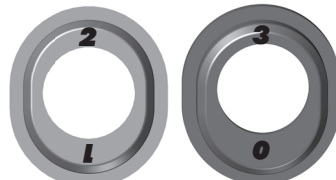


91563 x2
10x15x4
Bearing

#6591
diff lube

91792 x2
B6.1 Diff
Height Insert

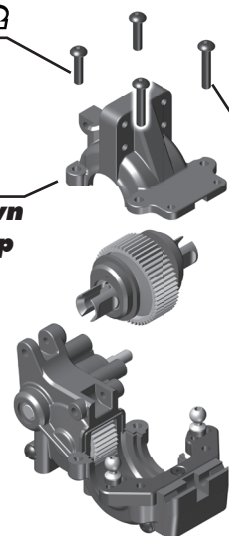
!
Diff Height Inserts:
The number on top
is the setting.
Stock diff height is 0.



89202 x2
3 x 12mm
BHCS

91791
B6.1 Laydown
Gearbox Top

89203 x2
3 x 16mm
BHCS



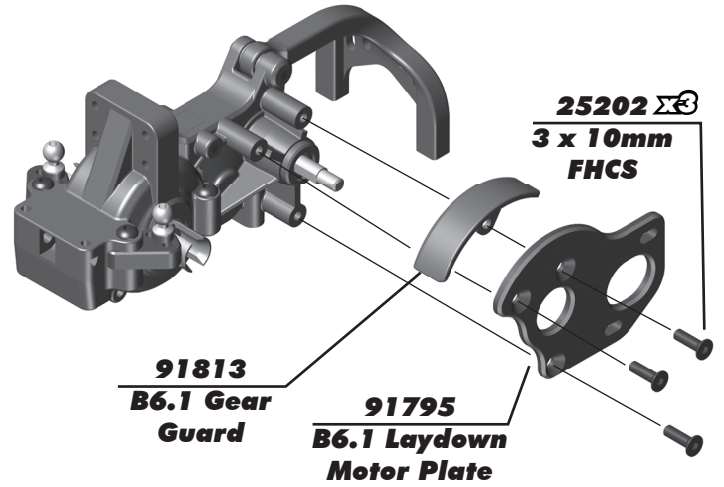
:: Bag 6 - Step 3

91709
Lay-Down
Chassis
Brace

91819
B6.1 Shock
Pivot Ball

89203
3 x 16mm
BHCS

25188
3 x 20mm
BHCS



25202 $\Sigma 3$
3 x 10mm
FHCS

91813
B6.1 Gear
Guard

91795
B6.1 Laydown
Motor Plate

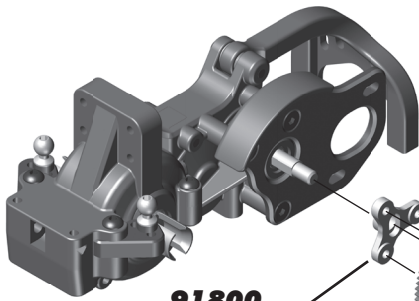
:: Bag 6 - Step 4

91809
B6.1 Spur
Gear, 72T

89218 $\Sigma 2$
M3 x 8mm
Washer

25189 $\Sigma 2$
M3 x 22mm
BHCS

91718 $\Sigma 2$
Rear Wing
Mount



91800
Direct
Drive Hub

31530 $\Sigma 3$
M3 x 5mm
BHCS

25391
FT Locknuts,
4mm, Aluminum

91770
Rear Shock
Tower, B6.1
(Tall)

91816 $\Sigma 2$
Shock
Bushing,
12mm

25188 $\Sigma 4$
M3 x 20mm
BHCS

91718 $\Sigma 2$
Rear Wing
Mount Spacer

! See page 20 for gear meshsetting instructions!

! #91809 spur gear walls should point away from gear box.

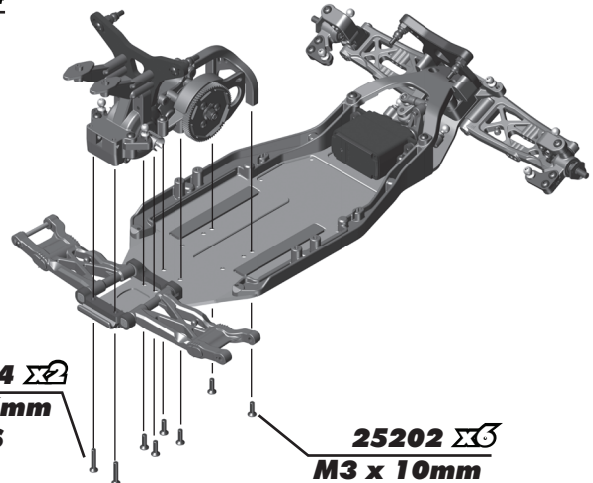
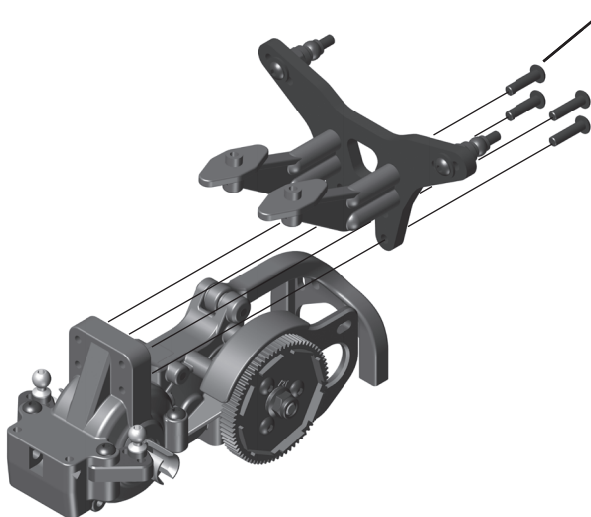
! There is an optional wing mount spacer included in your kit. If you do not use the optional wing mount spacer, use #89202 3 x 12mm BHCS instead of the #25188 3x20mm BHCS.

:: Bag 6 - Step 5

89202 $\Sigma 4$
M3 x 12mm
BHCS

25204 $\Sigma 2$
M3 x 16mm
FHCS

25202 $\Sigma 3$
M3 x 10mm
FHCS



:: Bag 7 - Step 1

Rear Hub Link Setting (Right Side Shown):

Up

Down

| Insert | 0/3 up | 0/3 down | 1/2 up | 1/2 down |
|-------------------------------|---------|----------|--------|----------|
| Axle Height | 0 (low) | + 3mm | + 1mm | + 2mm |
| Recommended Ballstud location | | | | |

Build x2 (right and left side) Kit Setup: Tab up (0mm)

:: Bag 7 - Step 2

! We have included a 0.050" and 1/16" allen wrench for these screws (91846, 91847)

Build x2 (right and left side)

CVA Axle Holes

There are two hole locations on the #91762 CVA axle. One is used for the included 67mm CVA bones, and one for the optional 65mm CVA bones. Use the inner hole for the included 67mm CVA bones.

67mm hole location

65mm hole location

:: Bag 7 - Step 3

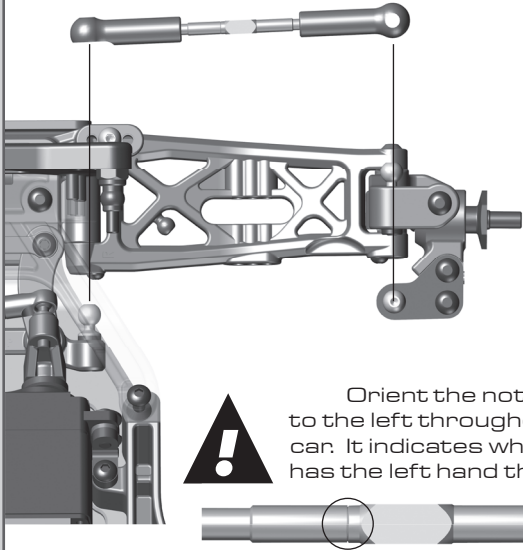
! Do not overtighten the 1.6 x 5mm SHCS into the Clamping wheel hex.

! #91670 - Hinge Pin will be tight in the rear hub, but should rotate freely in the rear arms.

Build x2 (right and left side)

Build x2 (right and left side)

:: Bag 8 - Step 1



Orient the notch to the left throughout the car. It indicates which end has the left hand threads!

91722
Ball Cup

91723
Turnbuckle
3x48mm

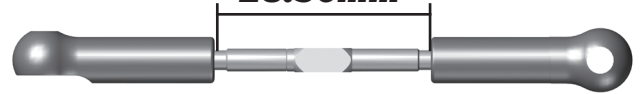
91722
Ball Cup



Racers Tip:

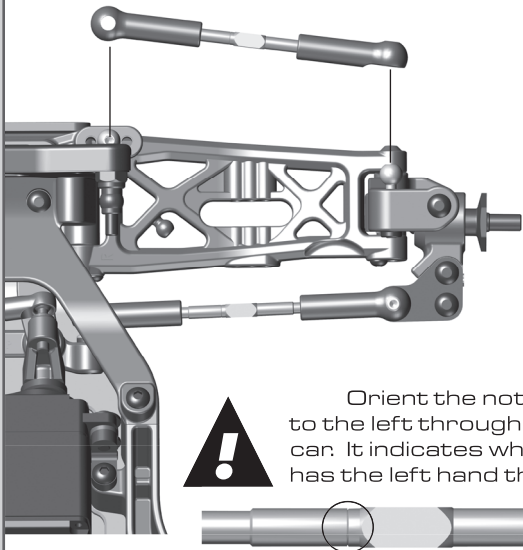
Use black grease (#6588) on the threads of the turnbuckles for easier ball cup installation!

Steering Turnbuckle
28.50mm



Build x2 (right and left side)

:: Bag 8 - Step 2

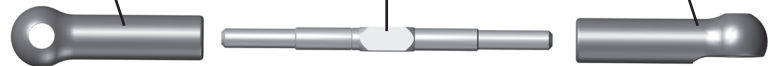


Orient the notch to the left throughout the car. It indicates which end has the left hand threads!

91722
Ball Cup

91723
Turnbuckle
3x48mm

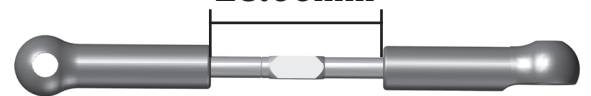
91722
Ball Cup



Racers Tip:

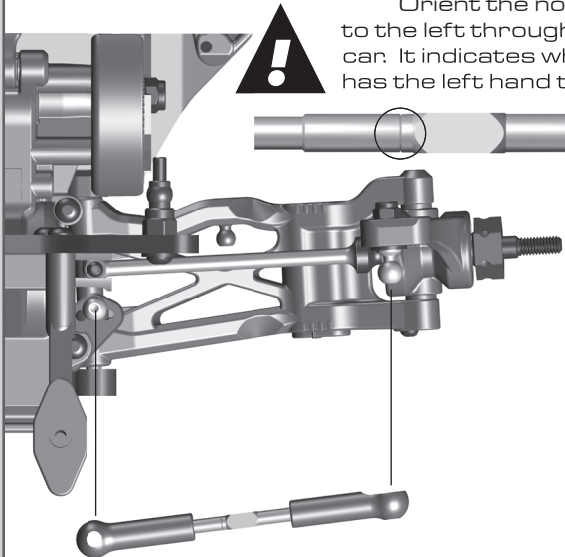
Use black grease (#6588) on the threads of the turnbuckles for easier ball cup installation!

Front Camber Turnbuckle
23.00mm



Build x2 (right and left side)

:: Bag 8 - Step 3



Orient the notch to the left throughout the car. It indicates which end has the left hand threads!

91722
Ball Cup

91723
Turnbuckle
3x48mm

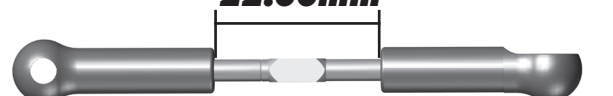
91722
Ball Cup



Racers Tip:

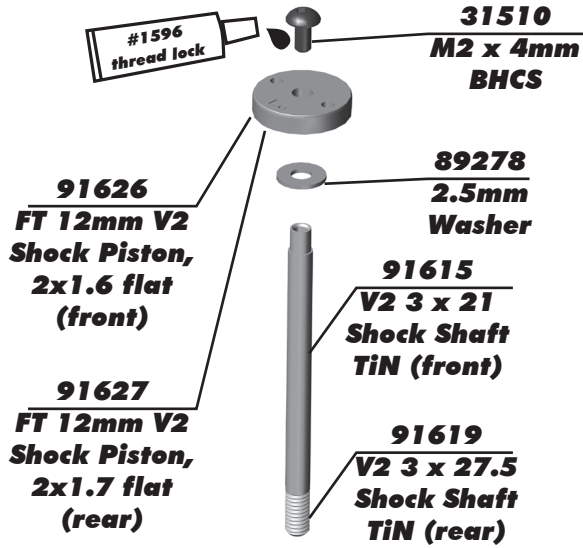
Use black grease (#6588) on the threads of the turnbuckles for easier ball cup installation!

Rear Camber Turnbuckle
22.00mm



Build x2 (right and left side)

:: Bag 9 - Step 1

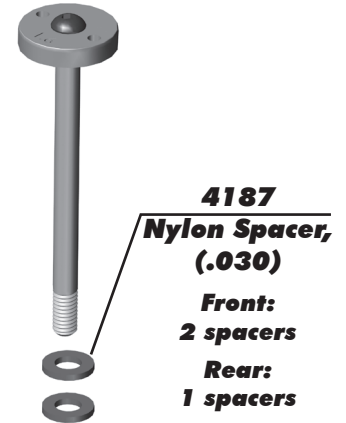


!
Mount the shock pistons with the number facing up!

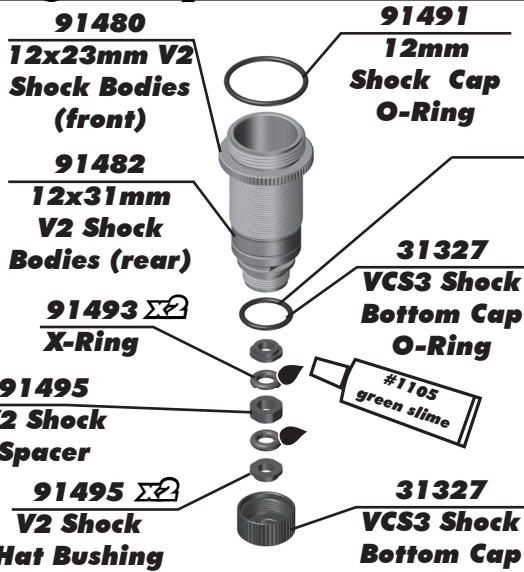


Racers Tip:

Use a marker over the numbers on the pistons to make them easily visible!



:: Bag 9 - Step 2



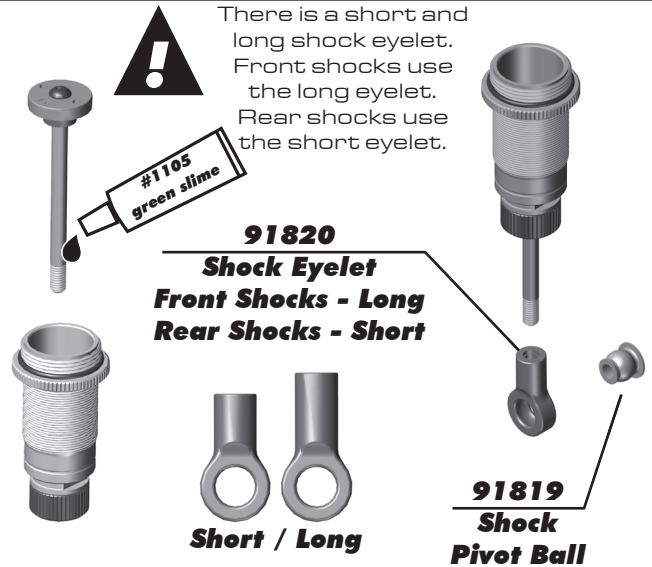
!
Lightly rub shock oil on the o-ring before installation!



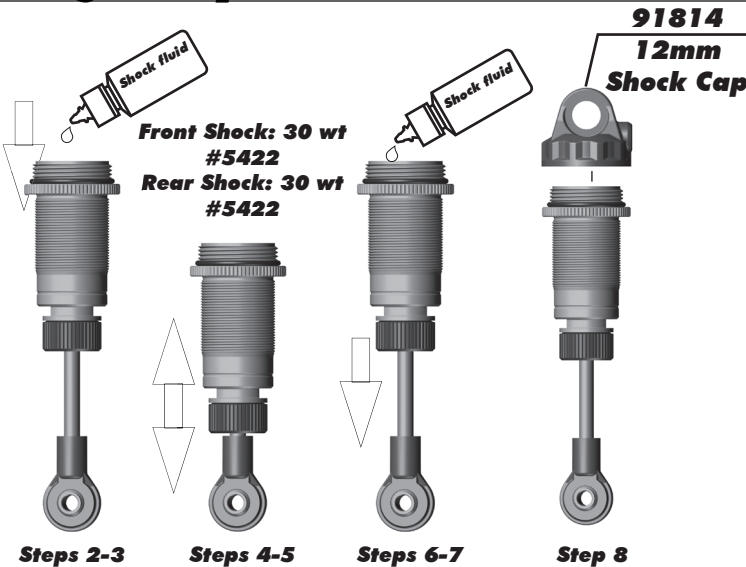
Racers Tip:

Coating the o-rings with green slime (# 1105) helps seal & reduce o-ring swell! Green slime not included in kit!

There is a short and long shock eyelet. Front shocks use the long eyelet. Rear shocks use the short eyelet.

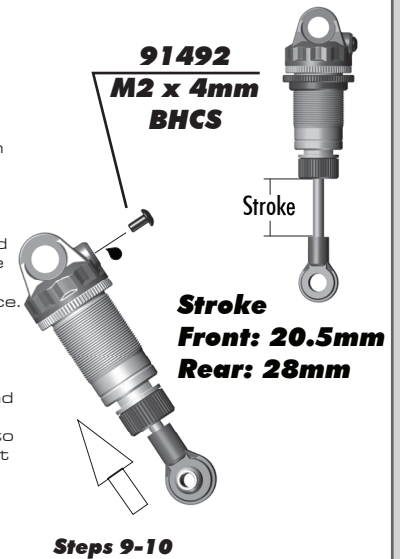


:: Bag 9 - Step 3



Shock Bleeding Steps:

1. Before assembly, get each bleed screw and thread it 1-2 turns into the shock cap, then remove the screw. This will make it easier when you are bleeding your shocks.
2. Pull shock shaft down.
3. Fill shock body 3/4 full with silicone shock fluid.
4. Slowly move the shock shaft up and down to remove air from under the piston.
5. Wait for bubbles to come to surface.
6. Fill shock body to top with silicone shock fluid.
7. Place a drop of oil in the cap and on cap threads.
8. Install cap (without bleed screw) and tighten completely.
9. Slowly compress shaft all the way to bleed excess silicone shock fluid out the hole in the cap (use rag around shock to catch excess fluid).
10. Install M2x4mm button head screw until snug while shaft is fully compressed.



:: Bag 9 - Step 4

91304 x4
12mm
Threaded
Collar
O-ring

91304 x4
12mm
Threaded
Collar

91831
12mm Front
Spring, White
(3.40lb)

91838
12mm Rear
Spring, White
(1.91lb)

#91814 12mm Shock Spring Cups
0mm 5mm 9mm

91814
12mm shock
spring cup
Front - 5mm
Rear - 5mm

Front:
3.00mm

Rear:
9.00mm

Racers Tip:
Use your finger to rub shock oil on the o-ring for smoother adjustment!

Build x2 front and x2 rear shocks

:: Bag 9 - Step 5

!
Use outside hole in front arm!

25188
M3 x 20mm
BHCS

25612
M3 Locknut
w/Flange

!
Make sure the flange on the shock pivot ball is towards the rear arm.

25187
M3 x 14mm
BHCS

Build x2 (right and left side)

Build x2 (right and left side)

:: Bag 10 - Step 1

31532 x2
M3 x 8mm
BHCS

89218 x2
3 x 8mm
Washer

6727
Servo
Tape

25225
M3 x 3mm
Set Screw

6338
Antenna
Tube & Cap

Motor not included!

ESC not included!

Receiver not included!

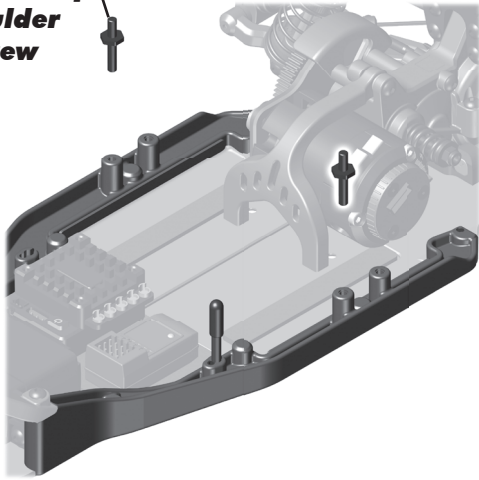
Pinion / Setscrew not included!

!
See page 20 for gear mesh setting instructions!

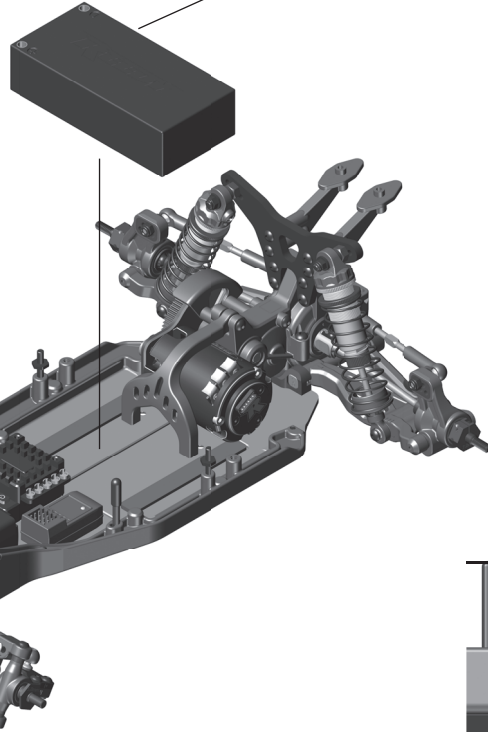
!
There are two options for mounting your antenna.

:: Bag 10 - Step 2

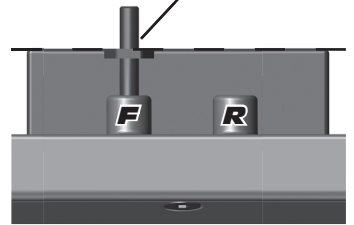
91730 
**Battery Strap
 Shoulder
 Screw**



**Battery
 not included!**

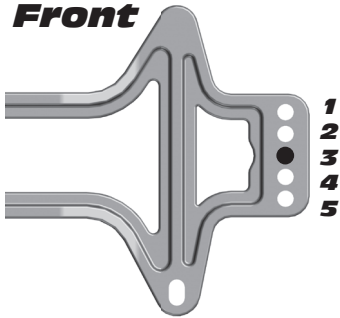


!
 Make sure the
 battery strap
 shoulder screw
 is flush with the top of
 your battery pack!

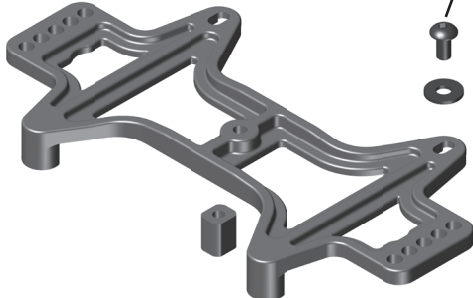


:: Bag 10 - Step 3


Front



91731
**Battery
 Strap, B6**

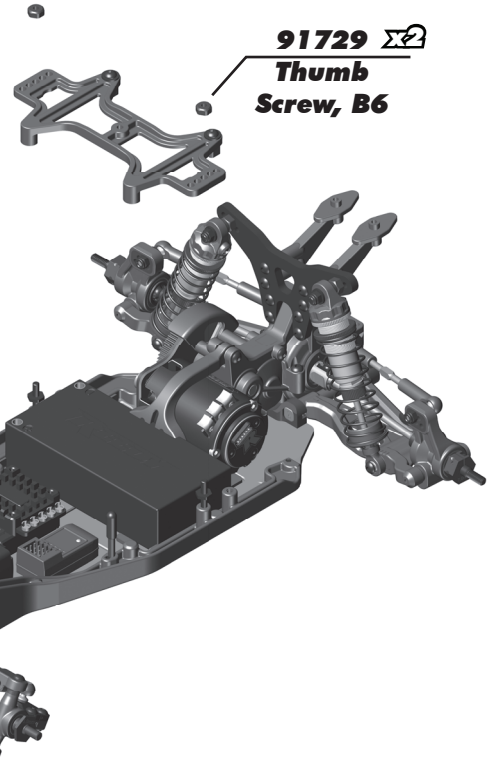


91731 
**Battery
 Strap Nut,
 B6**

89218 
**3 x 8mm
 Washer**

31531 
**M3 x 6mm
 BHCS**

91729 
**Thumb
 Screw, B6**



:: Bag 10 - Step 4

25202 
M3 x 10mm
FHCS

91718 
Wing
Button

91741
Wing,
B6

91718
Wing
Mount

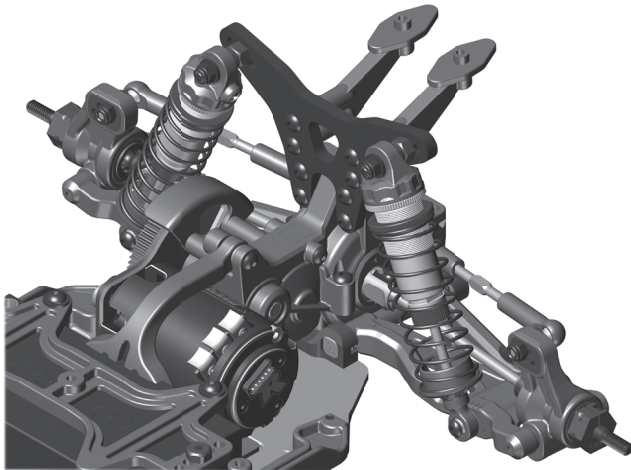
Wing Mount

0° - Mount under wing

3° - Mount on top of wing

6° - Mount under wing - KIT

Front of Vehicle



Body Trimming / Mounting:

There are 3 body trimming options depending on what transmission and shock position you choose to run.

Laydown (Pic 1): Laydown Transmission.

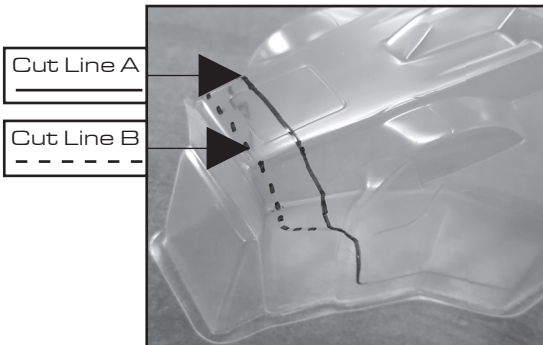
- Cut Line A is for shocks mounted in front of arm.
- Cut line B is for shocks mounted in rear of arm.

Layback (Pic 2): Layback Transmission.

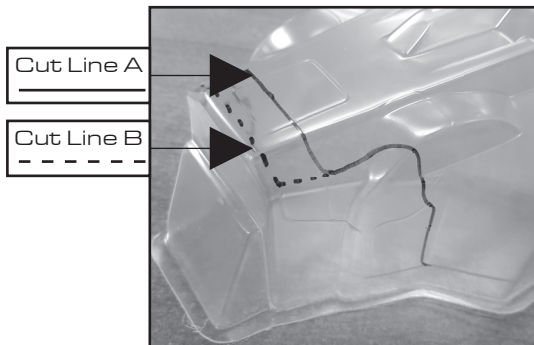
- Cut Line A is for shocks mounted in front of arm.
- Cut line B is for shocks mounted in rear of arm.

Standup (Pic 3): 3 Gear Stand Up Transmission.

Pic 1:

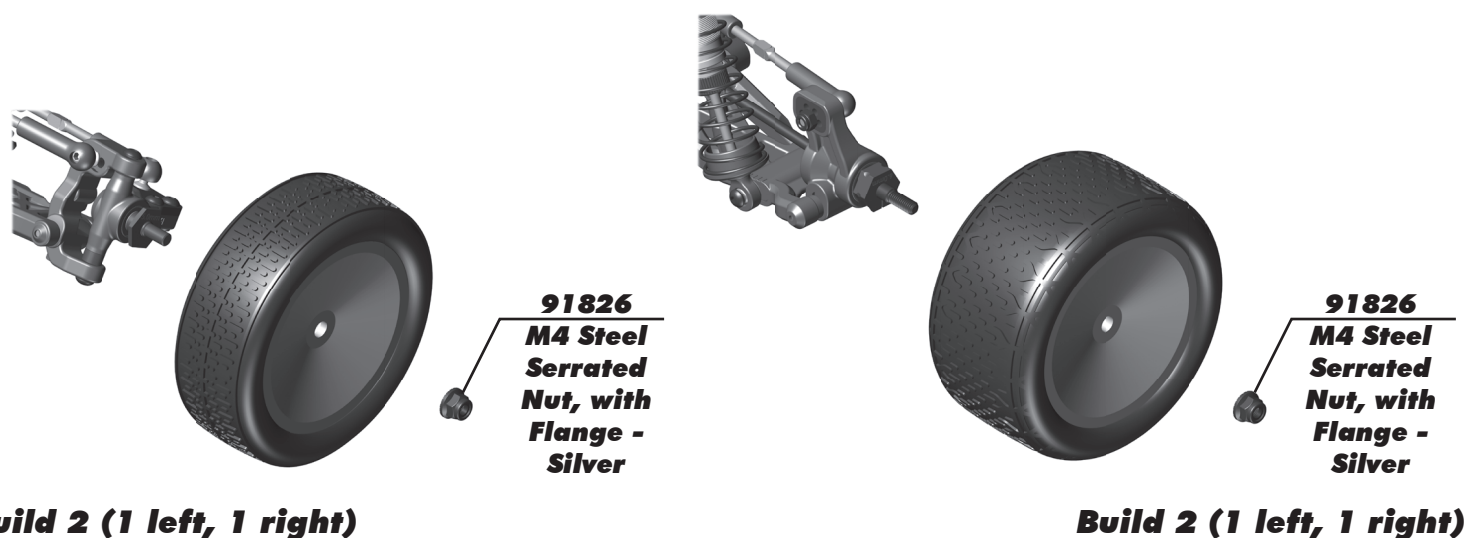


Pic 2:



Pic 3:



:: Bag 10 - Step 5**:: Bag 10 - Step 6****:: Tuning Tips****Painting:**

Your Kit comes with a clear polycarbonate body. You will need to prep the body before you can paint it. Wash the **INSIDE** thoroughly with warm water and liquid detergent (do not use any detergents with scents or added hand lotion ingredients!). Dry the body using a clean, soft, lint-free cloth. Use the supplied window masks to cover the windows from the **INSIDE** of the body (RC cars get painted on the inside). Using high quality masking tape, apply tape to the inside of the body to create a design. Spray (use either rattle can or airbrush) the paint on the inside of the body (preferably dark colors first, lighter colors last). **NOTE: ONLY** use paint that is recommended for (polycarbonate) plastics. If you do not, you can destroy the body! After the paint has completely dried (usually after 24 hours), cut the body along the trim lines. Make sure to drill or use a body reamer to make the holes for the antenna if needed! Use hook and loop tape to secure the body to the side rails of the vehicle.

Tips for Beginners:

Before making any changes to the standard setup, make sure you can get around the track without crashing. Changes to your vehicle will not be beneficial if you can't stay on the track. Your goal is consistent laps. Once you can get around the track consistently, start tuning your vehicle. Make only **ONE** adjustment at a time, testing it before making another change. If the result of your adjustment is a faster lap, mark the change on the included setup sheet (make additional copies of the sheet before writing on it). If your adjustment results in a slower lap, revert back to the previous setup and try another change. When you are satisfied with your vehicle, fill in the setup sheet thoroughly and file it away. Use this as a guide for future track days or conditions. Periodically check all moving suspension parts. Suspension components must be kept clean and move freely without binding to prevent poor and/or inconsistent handling.

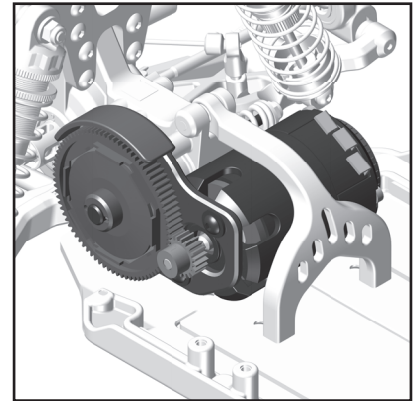
:: Tuning Tips (cont.)

Motor Gearing:

Proper motor gearing will result in maximum performance and run time while reducing the chance of overheating and premature motor failure. The gear ratio chart lists recommended **starting gear ratios** for the most widely used motor types. Gear ratios will vary depending upon motor brand, wind, and electronic speed control. Consult your motor and electronic speed control manufacturers for more information. Team Associated is not responsible for motor damage due to improper gearing.

B6 Gear Ratio Chart (Internal Gear Ratio 2.60:1)

| Motor | Pinion | Spur | Final Drive Ratio |
|-----------------------------|--------|------|-------------------|
| 17.5 Reedy S-Plus Brushless | 29 | 72 | 6.45:1 |
| 13.5 Reedy S-Plus Brushless | 27 | 75 | 7.22:1 |
| 10.5 Reedy 540-M3 Brushless | 24 | 78 | 8.45:1 |
| 9.5 Reedy 540-M3 Brushless | 23 | 78 | 8.82:1 |
| 8.5 Reedy 540-M3 Brushless | 22 | 78 | 9.22:1 |
| 7.5 Reedy 540-M3 Brushless | 21 | 78 | 9.65:1 |
| 6.5 Reedy 540-M3 Brushless | 20 | 78 | 10.14:1 |



Set The Gear Mesh:

You should be able to rock the spur gear back and forth in the teeth of the pinion gear without making the pinion gear move. If the spur gear mesh is tight, then loosen the #31532 screws and move the motor away, then try again. A gear mesh that is too tight or too loose will reduce power and damage the gear teeth.

Diff Height Adjustment:

The diff height adjustment is a good way to tune the car for grip level. On high grip with low ride heights, a higher diff height will be a good option. On lower grip with higher ride heights, a lower diff height will be better.

Gear Box Type:

Selecting the correct gear box is dependent on the type of track it will be used on. The optional 4 gear stand-up gear box is for the lowest grip conditions. This gear box moves the weight towards the rear of the car and also uses the rotation of the motor to transfer weight to the rear while on-power. The 3 gear stand-up gear box also moves the weight towards the rear of the car, but in this configuration, the motor's rotation helps with on-power steering. The lay-down gear box is used on high grip conditions when on-power steering and stability are most important. This gear box will change directions the quickest and generate the most steering. Layback is used for most indoor clay track conditions.

Slipper Clutch:

The assembly instructions give you a base setting for your clutch. Turn the nut on the shaft so that the end of the top shaft is even with the outside of the nut. At the track, tighten or loosen the nut in 1/8 turn increments until you hear a faint slipping sound for 1-2 feet on takeoffs. Another popular way to set the clutch is to hold both rear tires firmly in place and apply short bursts of throttle. If the clutch is properly set, the front tires should lift slightly up off the surface.

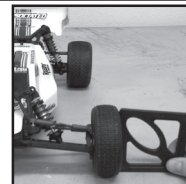
Caster:

Caster describes the angle of the caster block as it leans toward the rear of the vehicle. Positive caster means the kingpin leans rearward at the top. The kit includes three inserts to adjust caster angle at the caster block, 0°, 2.5°, and +5°. The total caster angle is the sum of the kick-up angle and the caster block angle. Standard total caster angle for the B6 is 30°, with 25° kick-up and +5° caster block angle.

For less entry steering and more exit steering, try 0° caster block angle.

Front Camber:

Camber describes the angle at which the tire and wheel rides when looked at from the front. Negative camber means that the tire leans inward at the top. A good starting camber setting is -1°. Positive camber, where the top of the tire is leaning out, is not recommended. Optional # 1719 camber gauge can be used to more accurately set camber.



*Testing camber with camber gauge

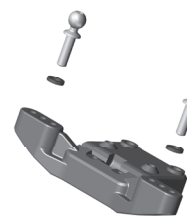
Rear Camber:

Camber describes the angle at which the tire and wheel rides when looked at from the back. Negative camber means that the tire leans inward at the top. A good starting camber setting is -1°. Adding a small amount of positive camber, where the top of the tire is leaning out, will tend to improve straight-line acceleration on loose tracks. Optional # 1719 camber gauge can be used to more accurately set camber.

:: Tuning Tips

Front Camber Links:

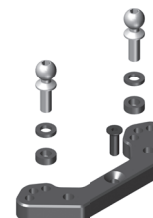
Changing the length of the camber link is considered a bigger step than adjusting the ball end height on the tower. Shortening the camber link (or lowering the ball end) will give the front end less roll and quicken steering response. Lengthening the camber link (or raising the ball end) will give the front more roll and slower steering response. Longer camber links are typically used on high grip tracks and shorter links tend to work better on medium-grip loose tracks.



*Raise or lower the ball end by adding or removing washers here

Rear Camber Link:

Changing the length of the camber link is considered a bigger step than adjusting the ball end height on the rear chassis brace. Shortening the camber link (or lowering the ball end) will give the rear end less roll and the car will tend to accelerate or "square up" better. Lengthening the camber link (or raising the ball end) will give the rear more roll and more cornering grip. Longer camber links are typically used on high grip tracks, while shorter links tend to work better on medium grip loose tracks. The kit setting is the best compromise of cornering grip and acceleration.



*Raise or lower the ball end by adding or removing washers here

Ackermann:

Ackermann is the angle difference between the front wheels when they are turned to steer the car. For minimal tire slip, it is standard for the inside wheel to steer to a greater angle than the outside wheel. The kit allows Ackermann adjustments by changing the washer thickness used behind the steering rack ballstuds. The kit setup uses 2mm washers and is most common for racing conditions. If corner entry steering is too aggressive, try increasing the Ackermann by removing shims from behind the steering rack ballstuds. Increasing the Ackermann will increase the angle difference of the front wheels when steered, resulting in a more stable car on corner entry.

Kickup:

Kickup is the angle the front suspension arm mounts at where the front of the arm is higher than the rear. The standard kickup angle for the B6 is 25°, and is most common. If more corner entry steering is desired, try the included 30° front bulkhead.

Axle Height:

Axle height is used to keep roll centers similar when large ride height changes are made. As a rule of thumb, high axle heights are used for lower ride heights (< 20mm) and low axle heights are used for higher (> 22mm) ride heights. The idea is to keep the arms close to level at ride height.

Ride Height:

Ride height is the distance from the ground to the bottom of the chassis. The standard front ride height setting is 19mm (Ride Height Gauge # 1449). Check the front ride height by lifting up the entire car about 8-12 inches off the bench and dropping it. After the suspension "settles" into place, measure ride height (Ride Height Gauge # 1449). Raise or lower the shock collars as necessary.

The rear ride height setting you should use most often is 19mm (Ride Height Gauge # 1449). Check the rear ride height by lifting up the entire car about 8-12 inches off the bench and drop it. After the suspension "settles" into place, measure ride height (Ride Height Gauge # 1449). Raise or lower the shock collars as necessary.

Wheelbase Adjustment:

You have three options for rear hub spacing; forward, middle, & back. The kit setting of middle is the most neutral, and will be used most often. For improved handling in bumps or rhythm sections, try moving the hubs to the back position. Hub forward is typically used on low grip or where there are lots of tight corners.



*Spacers to the rear will place hubs forward, shortening the wheelbase

Anti-Roll Bars:

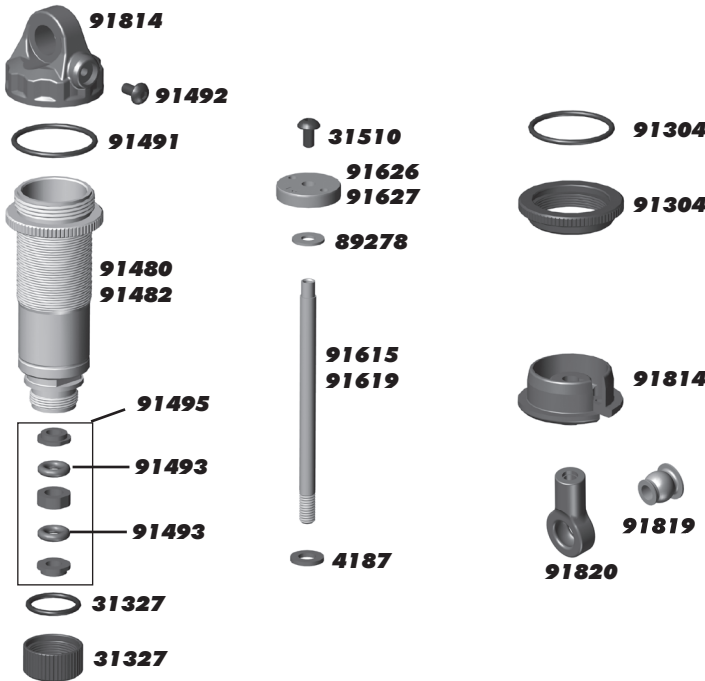
The anti-roll bar kits (also called the "swaybar") allows you to add roll resistance to the front and/or rear end with minimal effect on handling over bumps and jumps. It is an especially helpful tuning item on high-grip tracks.

Shock Mounting Position:

The rear shocks can be mounted on the front or rear of the rear suspension arm. Mounting the shocks on the front of the arm reduces rear weight bias. This causes the car to turn quicker and also steer more on-power. Usually this is used on high bite tracks in order to keep the car steering while applying throttle. Mounting the shocks on the rear of the arm increases rear weight bias and keeps the rear end planted while making the steering radius larger. This setting is typically easier to drive and will produce more rear traction.

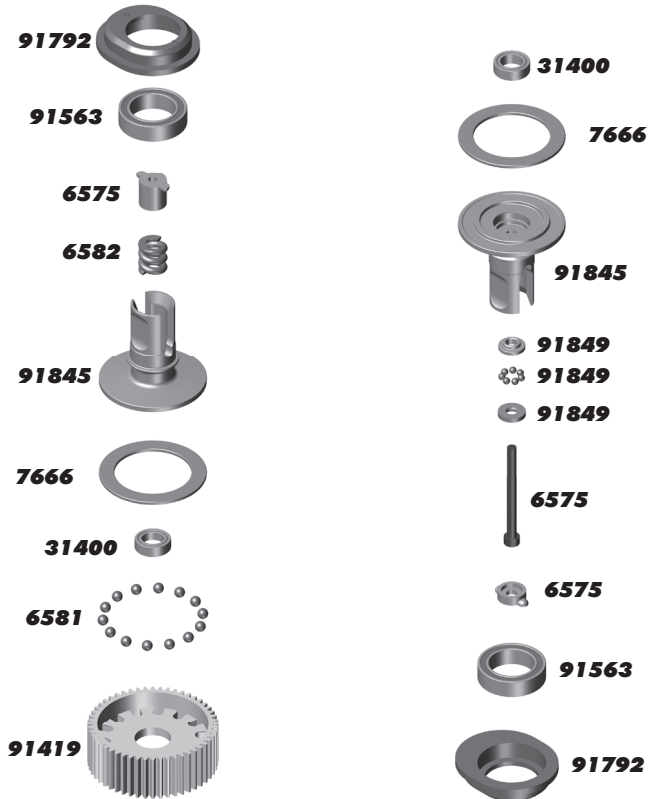
:: Shocks

| | | |
|-------|--------------------------------------|-------|
| 4187 | .030 Nylon Washer | 12 |
| 31327 | VCS3 Shock Bottom Cap and O-Ring | 2 ea. |
| 31510 | 2x4mm BHCS | 6 |
| 89278 | 2.5mm Washer | 20 |
| 91304 | 12MM Threaded Collar and O-Ring | 2 |
| 91480 | 12x23MM V2 Shock Bodies | 2 |
| 91482 | 12x31MM V2 Shock Bodies | 2 |
| 91491 | 12MM V2 Shock Rebuild Kit | 1 |
| 91492 | M2 x 4mm BHCS with Washer | 2 |
| 91493 | FT Low Friction X-Rings | 8 |
| 91495 | 12 mm V2 X-Ring Rebuild Kit | 1 |
| 91615 | 3 x 21mm Shock Shaft (V2), TiN | 2 |
| 91619 | 3 x 27.5mm Shock Shaft (V2), TiN | 2 |
| 91626 | FT 12mm Pistons (V2), 2x1.6 mm, flat | 4 |
| 91627 | FT 12mm Pistons (V2), 2x1.7 mm, flat | 4 |
| 91814 | B6.1 Shock Caps/Spring Cups | 4 ea. |
| 91819 | B6.1 Shock Pivot Balls | 4 |
| 91820 | B6.1 Ball Ends | 1 |



:: Ball Differential

| | | |
|-------|--|-------|
| 1733 | Diff Shims | 8 |
| 6574 | Precision Diff Thrust Balls, 5/64" | 6 |
| 6575 | Locking T-Nut, Diff Thrust Bolt, & Cover | 1 |
| 6581 | 3/32" Carbide Diff Balls | 12 |
| 6582 | Diff Thrust Spring | 1 |
| 7666 | Diff Drive Rings, 2.60:1 | 2 |
| 31400 | Bearing, 5 x 8mm | 2 |
| 91419 | Diff Gear, 52T | 1 |
| 91563 | FT Bearings, 10x15x4 mm | 4 |
| 91792 | B6.1 Differential Height Inserts | 2 ea. |
| 91844 | B6.1 Lightweight Drivetrain Kit | 1 |
| 91845 | B6.1 Lightweight Outdrive | Pr. |
| 91849 | B6.1 Caged Thrust | 1 |



:: Shock Springs

| | | |
|-------|---|-----|
| 91830 | Front Shock Spring, Green 3.10lbs | Pr. |
| 91831 | Front Shock Spring, White 3.40lbs - KIT | Pr. |
| 91832 | Front Shock Spring, Gray 3.61lbs | Pr. |
| 91833 | Front Shock Spring, Blue 3.91lbs | Pr. |
| 91834 | Front Shock Spring, Yellow 4.30lbs | Pr. |
| 91835 | Front Shock Spring, Red 4.60lbs | Pr. |
| 91836 | Front Shock Spring, Orange 5.10lbs | Pr. |
| 91837 | Rear Shock Spring, Green 1.81lbs | Pr. |
| 91838 | Rear Shock Spring, White 1.91lbs - KIT | Pr. |
| 91839 | Rear Shock Spring, Gray 2.00lbs | Pr. |
| 91840 | Rear Shock Spring, Blue 2.20lbs | Pr. |
| 91841 | Rear Shock Spring, Yellow 2.30lbs | Pr. |



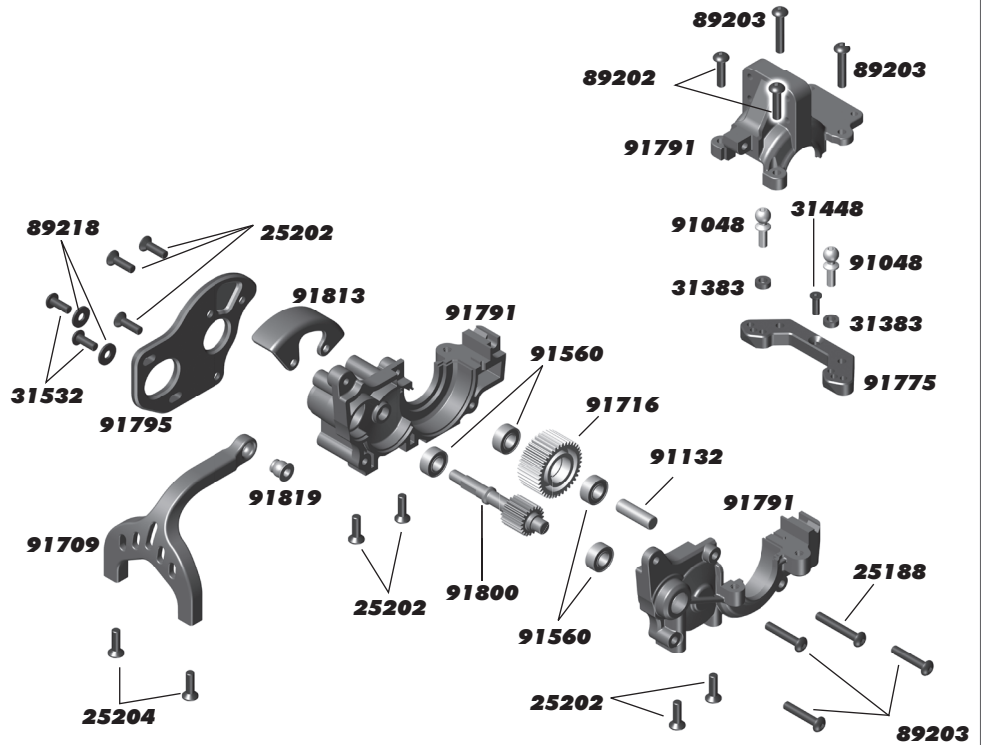
:: Shock Fluid

| | | |
|------|----------------------------------|------|
| 5420 | 10 Weight Silicone Shock Fluid | 2oz. |
| 5421 | 20 Weight Silicone Shock Fluid | 2oz. |
| 5422 | 30 Weight Silicone Shock Fluid | 2oz. |
| 5423 | 40 Weight Silicone Shock Fluid | 2oz. |
| 5424 | 22.5 Weight Silicone Shock Fluid | 2oz. |
| 5425 | 80 Weight Silicone Shock Fluid | 2oz. |
| 5426 | 27.5 Weight Silicone Shock Fluid | 2oz. |
| 5427 | 15 Weight Silicone Shock Fluid | 2oz. |
| 5428 | 25 Weight Silicone Shock Fluid | 2oz. |
| 5429 | 35 Weight Silicone Shock Fluid | 2oz. |
| 5430 | 45 Weight Silicone Shock Fluid | 2oz. |
| 5431 | 55 Weight Silicone Shock Fluid | 2oz. |
| 5432 | 32.5 Weight Silicone Shock Fluid | 2oz. |
| 5433 | 37.5 Weight Silicone Shock Fluid | 2oz. |
| 5434 | 42.5 Weight Silicone Shock Fluid | 2oz. |
| 5435 | 50 Weight Silicone Shock Fluid | 2oz. |
| 5436 | 60 Weight Silicone Shock Fluid | 2oz. |
| 5437 | 70 Weight Silicone Shock Fluid | 2oz. |
| 5438 | 47.5 Weight Silicone Shock Fluid | 2oz. |



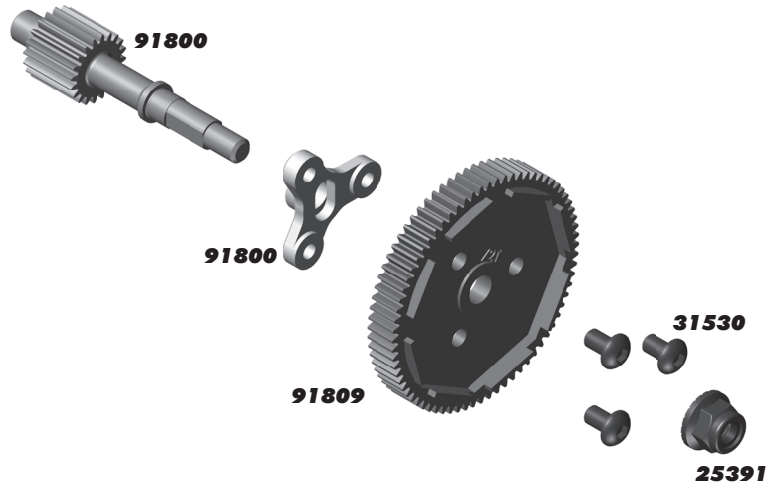
:: Transmission

| | | |
|-------|---|-------|
| 25188 | M3 x 20mm BHCS | 10 |
| 25202 | M3 x 10mm FHCS | 10 |
| 25204 | M3 x 16mm FHCS | 10 |
| 31383 | Ballstud Washers, 5.5x2.0 mm, blue aluminum | 10 |
| 31448 | M2.5 x 8mm FHCS | 10 |
| 31532 | M3 x 8mm BHCS | 10 |
| 89202 | M3 x 12mm BHCS | 10 |
| 89203 | M3 x 16mm BHCS | 10 |
| 89218 | M3 x 8mm Washers | 10 |
| 91048 | Heavy-duty Ballstuds, 8 mm | 10 |
| 91132 | 4x4 FT Idler Shafts, aluminum | 2 |
| 91560 | FT Bearings, 5x10x4 mm | 4 |
| 91709 | B6 Chassis Braces | 1 ea. |
| 91716 | B6 Idler Gear, 39T, laydown | 2 |
| 91775 | B6.1 Rear Ballstud Mount | 1 |
| 91791 | B6.1 Laydown Gearbox | 1 |
| 91795 | B6.1 Laydown Motor Plate | 1 |
| 91800 | B6.1 Direct Drive Kit | 1 |
| 91813 | B6.1 Gear Cover | 1 |
| 91819 | B6.1 Shock Pivot Balls | 4 |



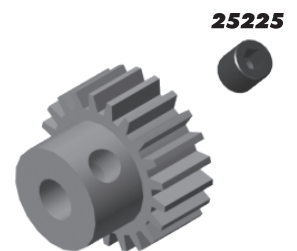
:: Direct Drive

| | | |
|-------|---------------------------------|----|
| 25391 | FT Locknuts, 4mm | 10 |
| 31530 | M3 x 5mm BHCS | 10 |
| 91800 | B6.1 FT Direct Drive Kit | 1 |
| 91808 | B6.1 Spur Gear, 69T - 48P | 1 |
| 91809 | B6.1 Spur Gear, 72T - 48P - KIT | 1 |
| 91810 | B6.1 Spur Gear, 75T - 48P | 1 |
| 91811 | B6.1 Spur Gear, 78T - 48P | 1 |
| 91812 | B6.1 Spur Gear, 81T - 48P | 1 |



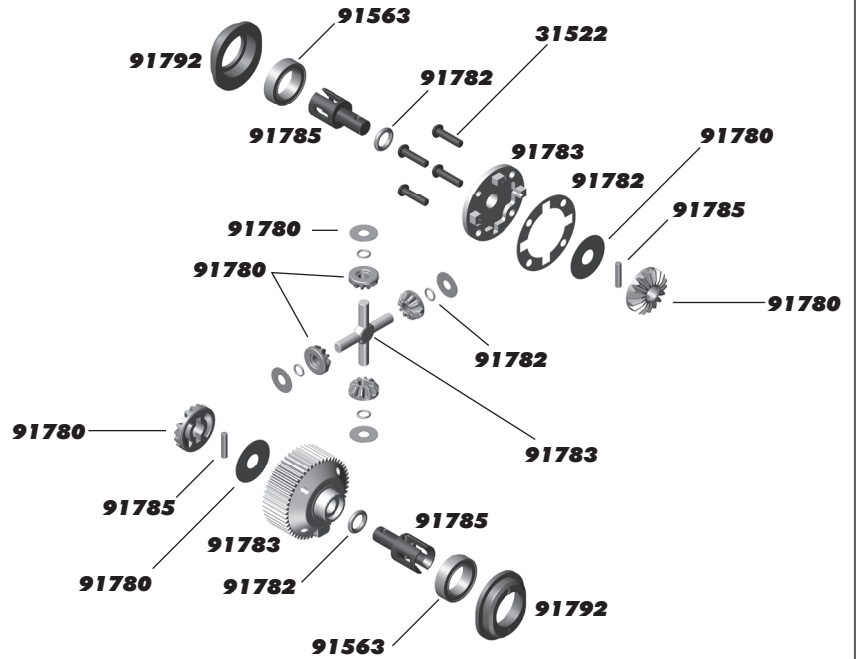
:: Pinion Gears

| | | | | | |
|------|------------------------------|---|-------|------------------------------|----|
| 1335 | 17T 48P Aluminum Pinion Gear | 1 | 1349 | 31T 48P Aluminum Pinion Gear | 1 |
| 1336 | 18T 48P Aluminum Pinion Gear | 1 | 1350 | 32T 48P Aluminum Pinion Gear | 1 |
| 1337 | 19T 48P Aluminum Pinion Gear | 1 | 1351 | 33T 48P Aluminum Pinion Gear | 1 |
| 1338 | 20T 48P Aluminum Pinion Gear | 1 | 1352 | 34T 48P Aluminum Pinion Gear | 1 |
| 1339 | 21T 48P Aluminum Pinion Gear | 1 | 1353 | 35T 48P Aluminum Pinion Gear | 1 |
| 1340 | 22T 48P Aluminum Pinion Gear | 1 | 25225 | M3 x 3mm Set Screw | 20 |
| 1341 | 23T 48P Aluminum Pinion Gear | 1 | | | |
| 1342 | 24T 48P Aluminum Pinion Gear | 1 | | | |
| 1343 | 25T 48P Aluminum Pinion Gear | 1 | | | |
| 1344 | 26T 48P Aluminum Pinion Gear | 1 | | | |
| 1345 | 27T 48P Aluminum Pinion Gear | 1 | | | |
| 1346 | 28T 48P Aluminum Pinion Gear | 1 | | | |
| 1347 | 29T 48P Aluminum Pinion Gear | 1 | | | |
| 1348 | 30T 48P Aluminum Pinion Gear | 1 | | | |



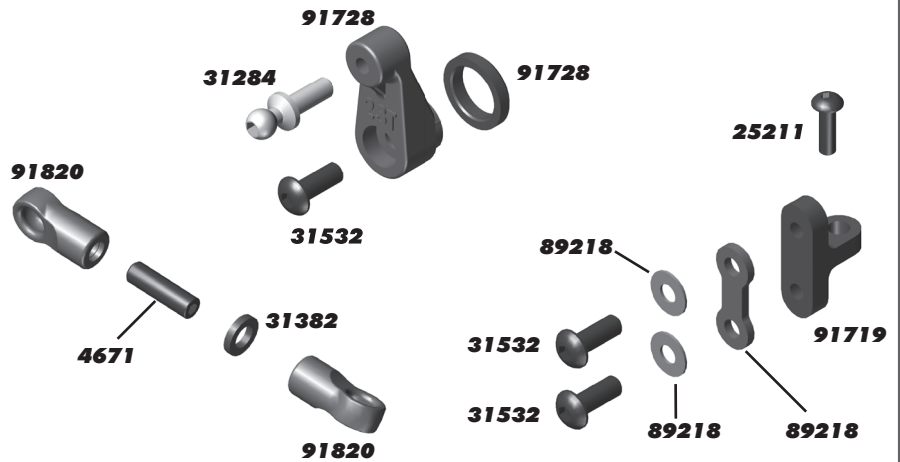
:: Optional Gear Differential

| | | |
|-------|----------------------------------|-------|
| 31522 | M2.5 x 10mm BHCS | 10 |
| 91563 | FT Bearings, 10x15x4 mm | 4 |
| 91780 | B6.1 Gear Differential Rebuild | 1 |
| 91782 | B6.1 Gear Differential Seals | 1 |
| 91783 | B6.1 Gear Differential Case | 1 |
| 91784 | B6.1 Aluminum Cross Pins | 2 |
| 91785 | B6.1 Gear Differential Outdrives | 2 |
| 91786 | B6.1 Gear Differential | 1 |
| 91792 | B6.1 Differential Height Inserts | 2 ea. |
| 5450 | Silicone Diff Fluid 1,000CST | 1 |
| 5451 | Silicone Diff Fluid 2,000CST | 1 |
| 5452 | Silicone Diff Fluid 3,000CST | 1 |
| 5444 | Silicone Diff Fluid 4,000CST | 1 |
| 5453 | Silicone Diff Fluid 5,000CST | 1 |
| 5446 | Silicone Diff Fluid 6,000CST | 1 |
| 5454 | Silicone Diff Fluid 7,000CST | 1 |
| 5455 | Silicone Diff Fluid 10,000CST | 1 |
| 5466 | Silicone Diff Fluid 15,000CST | 1 |
| 5456 | Silicone Diff Fluid 20,000CST | 1 |
| 5457 | Silicone Diff Fluid 30,000CST | 1 |
| 5458 | Silicone Diff Fluid 60,000CST | 1 |
| 5448 | Silicone Diff Fluid 80,000CST | 1 |
| 5459 | Silicone Diff Fluid 100,000CST | 1 |
| 5461 | Silicone Diff Fluid 200,000CST | 1 |
| 5463 | Silicone Diff Fluid 500,000CST | 1 |
| 5465 | Silicone Diff Fluid 1,000,000CST | 1 |



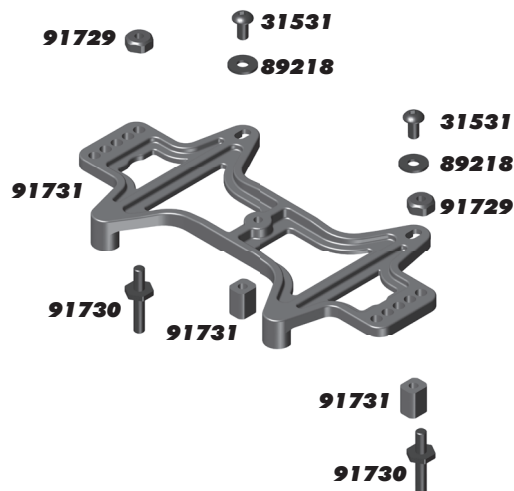
:: Turnbuckles and Servo Mounts

| | | |
|-------|----------------------------------|----|
| 4671 | M3 x 10mm Set Screw | 6 |
| 25211 | M3 x 10mm BHCS | 20 |
| 31284 | Ball Studs Long, 8mm | 6 |
| 31382 | FT Ballstud Washer, aluminum 1mm | 10 |
| 31532 | M3 x 8mm BHCS | 6 |
| 89218 | M3 x 8mm Washers | 10 |
| 91719 | Servo Mount, B6 | 2 |
| 91722 | Ball Cups, B6 | 12 |
| 91723 | 3 x 48mm Turnbuckle | 2 |
| 91728 | B6 Servo Horns, 15.5 mm | 1 |
| 91820 | B6.1 Ball Ends | 1 |



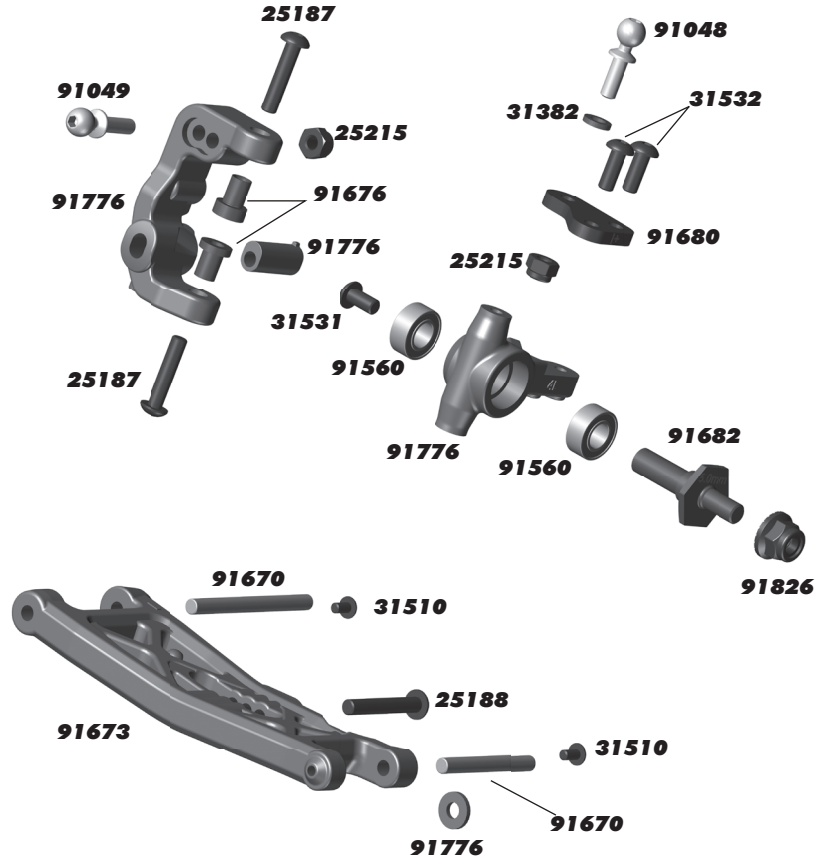
:: Battery Strap

| | | |
|-------|------------------------------|----|
| 31531 | M3 x 6mm BHCS | 20 |
| 89218 | 3 x 8mm Washers | 10 |
| 91729 | Thumb Screw, B6 | 2 |
| 91730 | Battery Strap Shoulder Screw | 2 |
| 91731 | Battery Strap, B6 | 1 |



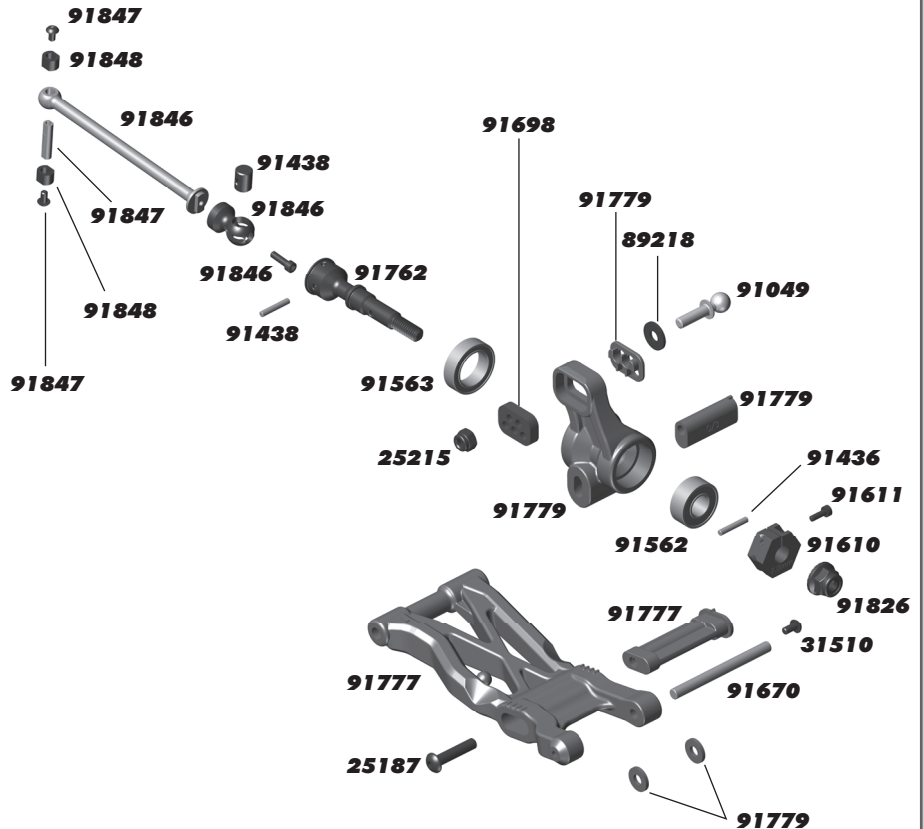
:: Front Arm

| | | |
|-------|---------------------------------------|-------|
| 25187 | M3 x 14mm BHCS | 10 |
| 25188 | M3 x 20mm BHCS | 10 |
| 25215 | M3 Locknut, Black | 10 |
| 31382 | FT Ballstud Washer, aluminum 1mm | 10 |
| 31510 | M2 x 4mm BHCS | 6 |
| 31531 | M3 x 6mm, BHCS | 6 |
| 31532 | M3 x 8mm, BHCS | 6 |
| 91048 | Heavy-duty Ballstud, 8mm | 8 |
| 91049 | Heavy-duty Ballstud, 10mm | 8 |
| 91560 | FT Bearing, 5 x 10 x 4 | 4 |
| 91670 | Hinge Pin Set, B6 | 1 |
| 91673 | Front Arm, Gull-Wing, B6 | 2 |
| 91676 | B6 Caster Hat Bushings | 2 ea. |
| 91680 | B6 Steering Block Arms (+1) | 2 |
| 91682 | Front Axle, B6 | 2 |
| 91776 | B6.1 Caster/Steering Blocks | 1 |
| 91826 | M4 Serrated Wheel Nut, Steel (Silver) | 10 |



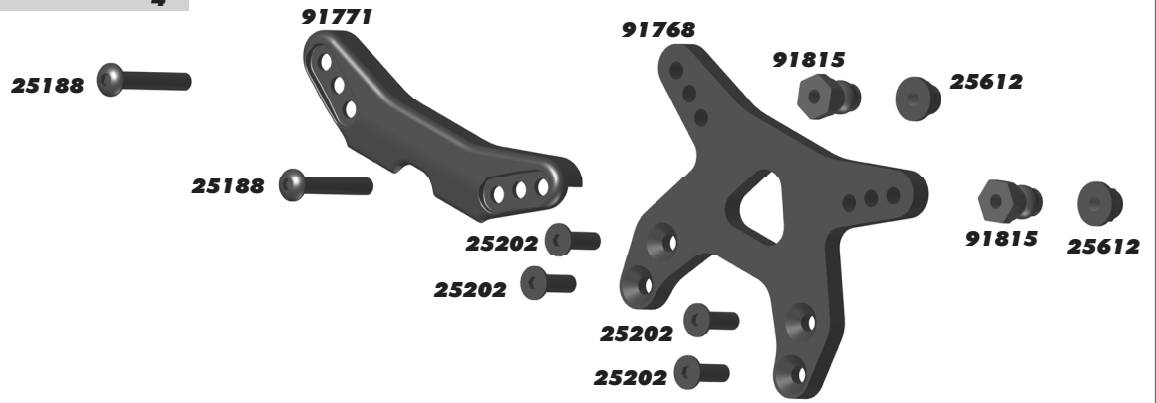
:: Rear Arm

| | | |
|-------|---------------------------------------|-----|
| 25187 | M3 x 14mm BHCS | 10 |
| 25215 | M3 Locknut, Black | 10 |
| 31510 | M2 x 4mm BHCS | 6 |
| 89218 | Washer, 3 X 8mm | 10 |
| 91049 | Heavy-duty Ballstud, 10mm | 8 |
| 91436 | CVA/Wheel Hex Pin, B5 | 4 |
| 91438 | CVA Rebuild Kit, B5 | 1 |
| 91562 | FT Bearing, 6 x 13 x 5 | 4 |
| 91563 | FT Bearing, 10 x 15 x 4 | 4 |
| 91610 | FT Clamping Wheel Hexes, 7.0mm | 2 |
| 91611 | M1.6 x 8mm SHCS | 4 |
| 91670 | Hinge Pin Set, B6 | 1 |
| 91698 | Rear Hub Link Nut, B6 | 2 |
| 91762 | B6 Heavy Duty Rear Axles V2 | 2 |
| 91777 | B6.1 Rear Arms | Pr. |
| 91779 | B6.1 Rear Hub | Pr. |
| 91826 | M4 Serrated Wheel Nut, Steel (Silver) | 10 |
| 91846 | B6.1 Lightweight CVA Bones | 2 |
| 91847 | B6.1 MIP Pucks™ With Pins | 2 |
| 91848 | B6.1 MIP Pucks™ | 8 |



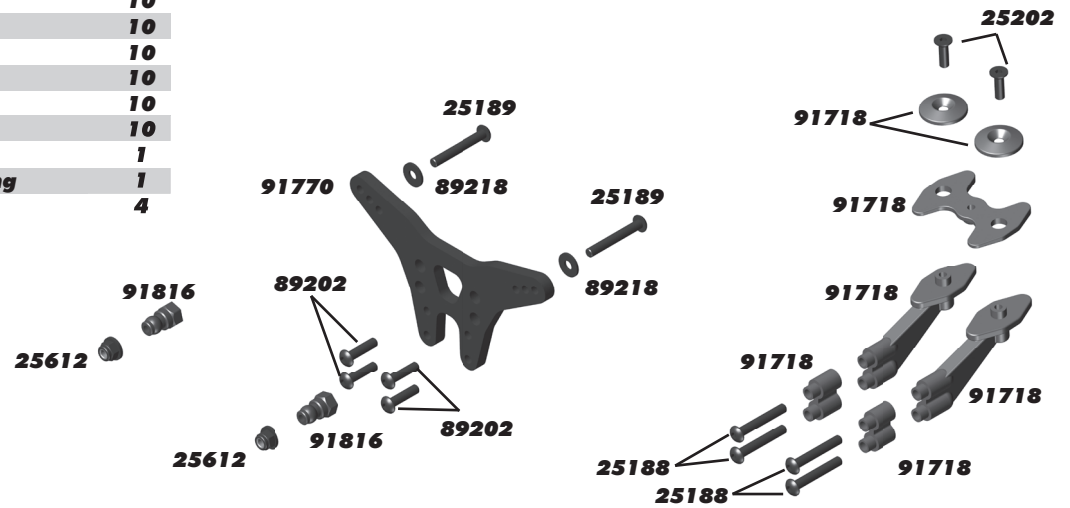
:: Front Shock Tower

| | | |
|-------|-------------------------|----|
| 25188 | M3 x 20mm BHCS | 10 |
| 25202 | M3 x 10mm FHCS | 10 |
| 25612 | M3 Locknuts w/Flange | 10 |
| 91768 | B6.1 Front Shock Tower | 1 |
| 91771 | B6.1 Shock Tower Covers | 1 |
| 91815 | Shock Bushing, 10mm | 4 |



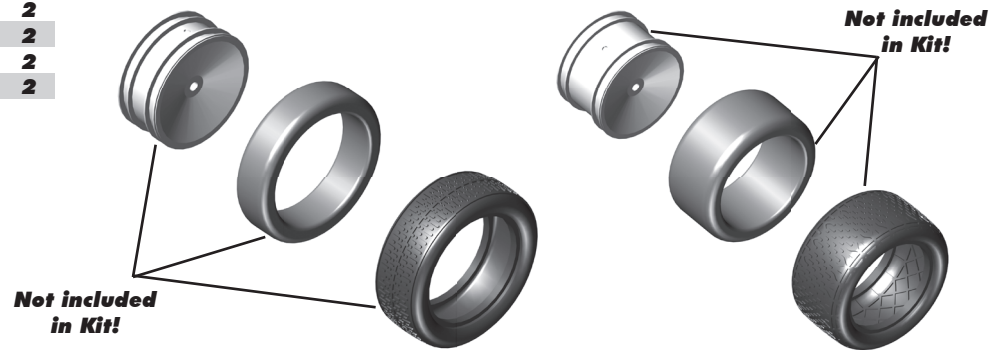
:: Rear Shock Tower

| | | |
|-------|-----------------------------|----|
| 25188 | M3 x 20mm BHCS | 10 |
| 25189 | M3 x 22mm BHCS | 10 |
| 25202 | M3 x 10mm FHCS | 10 |
| 25612 | M3 Locknuts w/Flange | 10 |
| 89202 | M3 x 12mm BHCS | 10 |
| 89218 | M3 x 8mm Washers | 10 |
| 91718 | Wing / Body Mount Set, B6 | 1 |
| 91770 | B6.1 Rear Shock Tower, Long | 1 |
| 91816 | Shock Bushing, 12mm | 4 |



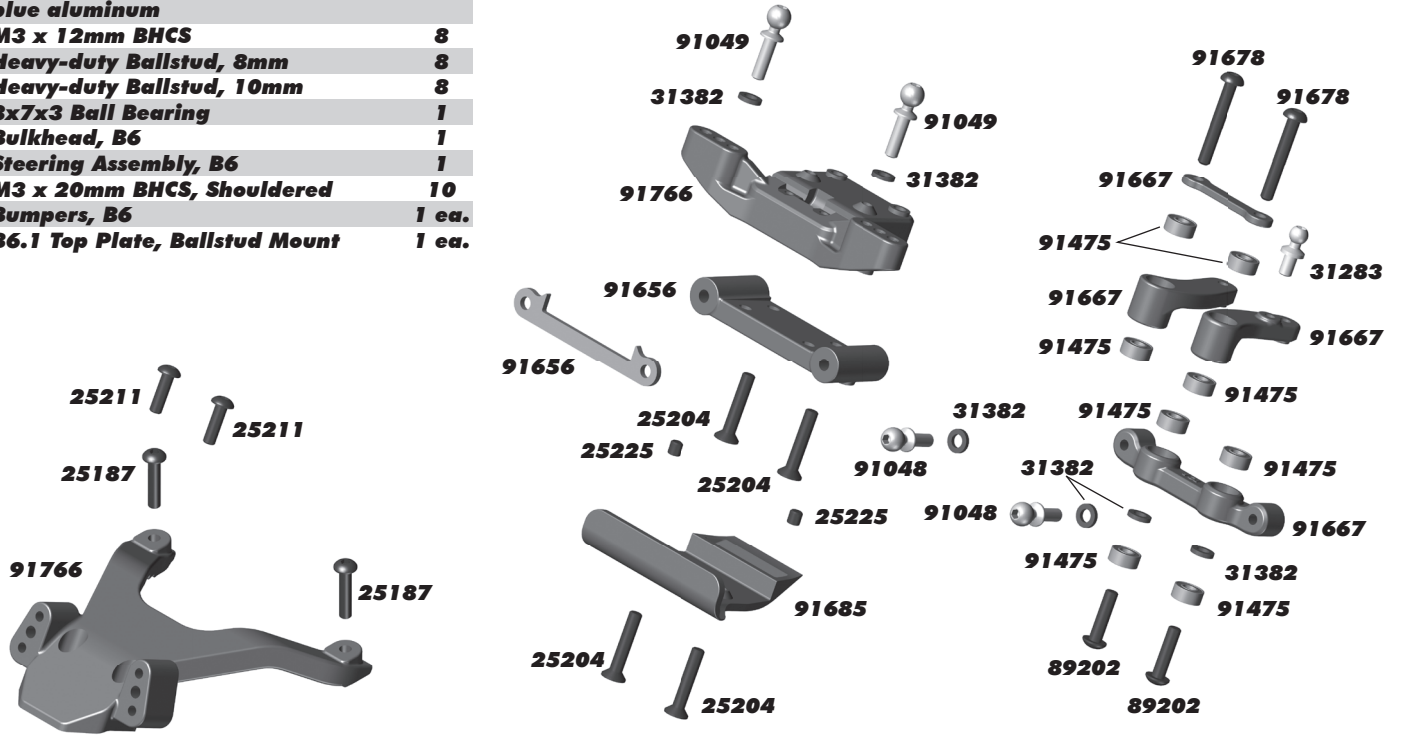
:: Wheels

| | | |
|-------|--------------------------------|---|
| 9690 | Buggy Front Wheel, hex, white | 2 |
| 9691 | Buggy Front Wheel, hex, yellow | 2 |
| 9695 | Buggy Rear Wheel Hex, white | 2 |
| 9696 | Buggy Rear Wheel Hex, yellow | 2 |
| 91570 | 61mm Buggy Rear Wheel, White | 2 |
| 91571 | 61mm Buggy Rear Wheel, Yellow | 2 |
| 91572 | 61mm Buggy Front Wheel, White | 2 |
| 91573 | 61mm Buggy Front Wheel, Yellow | 2 |



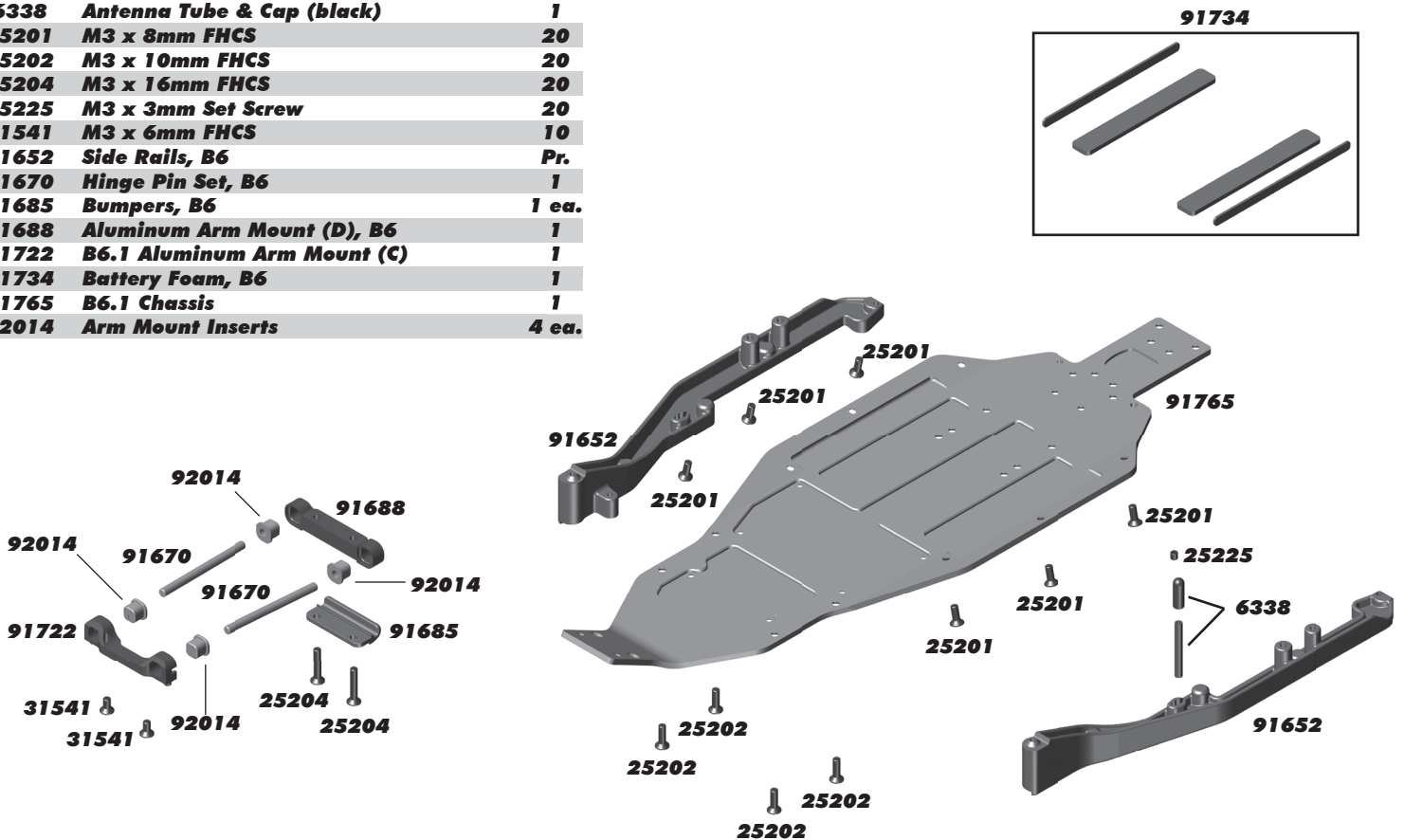
:: Front Bulkhead / Steering

| | | |
|-------|---|-------|
| 25187 | M3 x 14mm BHCS | 10 |
| 25204 | M3 x 16mm FHCS | 10 |
| 25211 | M3 x 10mm BHCS | 10 |
| 25225 | M3 x 3mm Set Screw | 10 |
| 31283 | Ball Studs, Long, 5mm | 6 |
| 31382 | Ballstud Washers, 5.5x1.0 mm, blue aluminum | 10 |
| 89202 | M3 x 12mm BHCS | 8 |
| 91048 | Heavy-duty Ballstud, 8mm | 8 |
| 91049 | Heavy-duty Ballstud, 10mm | 8 |
| 91475 | 3x7x3 Ball Bearing | 1 |
| 91656 | Bulkhead, B6 | 1 |
| 91667 | Steering Assembly, B6 | 1 |
| 91678 | M3 x 20mm BHCS, Shouldered | 10 |
| 91685 | Bumpers, B6 | 1 ea. |
| 91766 | B6.1 Top Plate, Ballstud Mount | 1 ea. |



:: Chassis

| | | |
|-------|-----------------------------|-------|
| 6338 | Antenna Tube & Cap (black) | 1 |
| 25201 | M3 x 8mm FHCS | 20 |
| 25202 | M3 x 10mm FHCS | 20 |
| 25204 | M3 x 16mm FHCS | 20 |
| 25225 | M3 x 3mm Set Screw | 20 |
| 31541 | M3 x 6mm FHCS | 10 |
| 91652 | Side Rails, B6 | Pr. |
| 91670 | Hinge Pin Set, B6 | 1 |
| 91685 | Bumpers, B6 | 1 ea. |
| 91688 | Aluminum Arm Mount (D), B6 | 1 |
| 91722 | B6.1 Aluminum Arm Mount (C) | 1 |
| 91734 | Battery Foam, B6 | 1 |
| 91765 | B6.1 Chassis | 1 |
| 92014 | Arm Mount Inserts | 4 ea. |



:: Factory Team and Option Parts

| | | |
|-------|--|-----|
| 91494 | FT 12mm Machined Shock Spacers, V2 | 1 |
| 91495 | 12mm V2 X-Ring Rebuild Kit | 1 |
| 91553 | Factory Team Bearing Kit, B5, B5M | 1 |
| 91580 | Titanium Screws, 3x6mm BHCS | 4 |
| 91581 | Titanium Screws, 3x8mm BHCS | 4 |
| 91582 | Titanium Screws, 3x10mm BHCS | 4 |
| 91583 | Titanium Screws, 3x12mm BHCS | 4 |
| 91584 | Titanium Screws, 3x14mm BHCS | 4 |
| 91585 | Titanium Screws, 3x16mm BHCS | 4 |
| 91588 | Titanium Screws, 3x22mm BHCS | 4 |
| 91589 | Titanium Screws, 3x24mm BHCS | 4 |
| 91592 | Titanium Screws, 3x8mm FHCS | 4 |
| 91593 | Titanium Screws, 3x10mm FHCS | 4 |
| 91594 | Titanium Screws, 3x12mm FHCS | 4 |
| 91595 | Titanium Screws, 3x14mm FHCS | 4 |
| 91596 | Titanium Screws, 3x16mm FHCS | 4 |
| 91597 | Titanium Screws, 3x18mm FHCS | 4 |
| 91609 | Clamping Wheel Hex, (5.0mm) | 2 |
| 91658 | RC10B6 Aluminum Front Bulkhead | 1 |
| 91659 | RC10B6 Brass Front Bulkhead | 1 |
| 91663 | RC10B5 Front Tower (Gull-Wing) - Req. #91673 or #91674 | 1 |
| 91668 | RC10B6 Aluminum Steering Bell Crank | 1 |
| 91669 | RC10B6 Aluminum Steering Rack | 1 |
| 91672 | RC10B6 Flat Front Arm, Hard | Pr. |
| 91673 | RC10B6 Gull Front Arm - Req. #91663 | Pr. |
| 91674 | RC10B6 Gull Front Arm, Hard - Req. #91663 | Pr. |
| 91680 | B6 FT Steering Block Arms, +1 | Pr. |
| 91683 | RC10B6 Titanium Front Axle | 2 |
| 91696 | RC10B6 Rear Arm, Hard | Pr. |
| 91699 | FT Aluminum Rear hub Link | 2 |
| 91707 | RC10B6 Stand-Up Gear Box, 4 Gear - Req. #91711, #91714 | 1 |
| 91711 | RC10B6 Gear Cover, 4 Gear - Req. #91707, #91714 | 1 |
| 91714 | RC10B6 Stand-Up Motor Plate, 4 Gear Req. #91707, #91711 | 1 |
| 91745 | RC10B6 Aluminum Chassis Weight (9g) | 1 |
| 91746 | RC10B6 Aluminum Chassis Weight (13g) | 1 |
| 91747 | RC10B6 Steel Chassis Weight (24g) | 1 |
| 91748 | RC10B6 Steel Chassis Weight (36g) | 1 |
| 91749 | M2 x 3mm FHCS - Use with Chassis Weights | 6 |
| 91750 | HD Titanium Ball Stud, 4mm | 2 |
| 91751 | HD Titanium Ball Stud, 6mm | 2 |
| 91752 | HD Titanium Ball Stud, 8mm | 2 |
| 91753 | HD Titanium Ball Stud, 10mm | 2 |
| 91754 | FT Graphite ESC Plate | 1 |
| 91755 | RC10B6 Titanium Screw Kit | 1 |
| 91760 | B6 FT Blue Aluminum Rear Hubs | Pr. |
| 91773 | B6.1 Brass Arm Mount (C) | 1 |
| 91784 | B6.1 Aluminum Cross Pins | 2 |
| 91786 | B6.1 Gear Diff Kit | 1 |
| 91800 | B6.1 Direct Drive Kit | 1 |
| 91821 | B6.1 Anti-Roll Bar Hardware Set | 1 |
| 91822 | B6.1 Front Anti-Roll Bar Set | 1 |
| 91823 | B6.1 Rear Anti-Roll Bar Set | 1 |

:: Bodies

| | | |
|-------|---------------------------------|---|
| 91741 | RC10B6 Wing | 1 |
| 91743 | Adhesive Hook and Loop | 1 |
| 91827 | RC10B6.1 Clear Body | 1 |
| 91828 | RC10B6.1 Lightweight Clear Body | 1 |

:: Lubes & Adhesives / Decals / Misc.

| | | |
|-------|----------------------------------|---|
| 1105 | FT Green Slime Shock Lube | 1 |
| 1596 | FT Locking Adhesive | 1 |
| 1597 | FT Tire Adhesive, medium | 1 |
| 6588 | Black Grease - 4cc | 1 |
| 6591 | S.Diff Lube - 4cc | 1 |
| 6636 | Silicone Grease - 4cc | 1 |
| 6727 | Servo Tape | 2 |
| 726 | Reedy 2016 Sticker Set | 1 |
| 3834 | AE Blue Embossed Logo Sticker | 2 |
| 3840 | 2016 Team Associated Decal Sheet | 1 |
| 9787 | FT Chassis Protective Sheet | 1 |
| 91742 | RC10B6 Decal Sheet | 1 |

**:: MyLaps Transponders**

| | | |
|-----------|------------------------------------|---|
| MLP10R078 | MyLaps Hybrid (2-wire) Transponder | 1 |
| MLP10R120 | MyLaps RC4 (3-wire) Transponder | 1 |
| MLP40R222 | MyLaps Transponder Holder | 1 |

:: Reedy Batteries

| | | |
|-------|--|---|
| 302 | AA Alkaline 1.5V (4) | 1 |
| 304 | LiPo Pro TX/RX Battery 1600mAh 7.4V Flat | 1 |
| 305 | LiFe Pro TX/RX Battery 1300mAh 6.6V Flat | 1 |
| 27313 | LiPo Pro TX/RX 2400mAh 7.4V Flat | 1 |
| 27315 | LiFe Pro TX/RX 1600mAh 6.6V Flat | 1 |
| 27318 | Wolfpack HV LiPo 50C 4200mAh 7.6V Shorty | 1 |
| 27319 | Wolfpack HV LiPo 50C 3300mAh 7.6V LP Shorty | 1 |
| 27322 | Zappers SG HV-LiPo 7.6V 4800mAh 110C Shorty | 1 |
| 27323 | Zappers SG HV-LiPo 7.6V 5800mAh 80C Shorty | 1 |
| 27324 | Zappers SG HV-LiPo 7.6V 3600mAh 110C LP Shorty | 1 |
| 27325 | Zappers SG HV-LiPo 7.6V 4000mAh 80C LP Shorty | 1 |

:: Reedy Chargers / Accessories

| | | |
|---------|---|---|
| 27200 | 1216-C2 Dual AC/DC Competition Battery Charger | 1 |
| 27200CN | 1216-C2 Dual AC/DC Competition Battery Charger - CHN Plug | 1 |
| 27200EU | 1216-C2 Dual AC/DC Competition Battery Charger - EURO Plug | 1 |
| 27200UK | 1216-C2 Dual AC/DC Competition Battery Charger - UK Plug | 1 |
| 996 | 5.0mm 1S-2S Balance Charge lead w/SP Clip | 1 |
| 997 | 4.0mm 1S-2S Balance Charge lead w/SP Clip | 1 |
| 999 | Saddle Pack Balance Charge Clip | 1 |
| 27220 | 7-in-1 Universal Charge Lead (4mm) | 1 |
| 27221 | T-plug Charge Lead (4mm) | 1 |
| 27222 | XH 2-6S Balance Board (4mm) | 1 |
| 27223 | RX Charger Lead FUT (4mm) | 1 |
| 27224 | US to IEC 320 C5 angle 1M AC Power Cord | 1 |
| 27225 | US to IEC 320 C5 angle .5M AC Power Cord | 1 |
| 27226 | EU to IEC 320 C5 angle 1M AC Power Cord | 1 |
| 27227 | UK to IEC 320 C5 angle 1M AC Power Cord | 1 |
| 27228 | AU to IEC 320 C5 angle 1M AC Power Cord | 1 |
| 27229 | CN to IEC 320 C5 angle 1M AC Power Cord | 1 |

:: Reedy Motors / Spare Parts / Accessories**MOTORS**

| | | |
|-------|--------------------------------|---|
| 256 | Sonic 540-M3 10.5 | 1 |
| 257 | Sonic 540-M3 9.5 | 1 |
| 258 | Sonic 540-M3 8.5 | 1 |
| 259 | Sonic 540-M3 8.0 | 1 |
| 260 | Sonic 540-M3 7.5 | 1 |
| 261 | Sonic 540-M3 7.0 | 1 |
| 262 | Sonic 540-M3 6.5 | 1 |
| 263 | Sonic 540-M3 6.0 | 1 |
| 264 | Sonic 540-M3 5.5 | 1 |
| 265 | Sonic 540-M3 5.0 | 1 |
| 266 | Sonic 540-M3 4.5 | 1 |
| 284 | Sonic 540-M3 4.0 | 1 |
| 285 | Sonic 540-M3 3.5 | 1 |
| 293 | Sonic 540 FT 17.5 Fixed Timing | 1 |
| 294 | Sonic 540 FT 13.5 Fixed Timing | 1 |
| 27401 | S-Plus 21.5 Spec | 1 |
| 27402 | S-Plus 17.5 Spec | 1 |
| 27403 | S-Plus 13.5 Spec | 1 |
| 27404 | S-Plus 10.5 Spec | 1 |

Spare Parts / Accessories

| | | |
|-------|---|---|
| 271 | Sonic 540-M3 Spec Rotor 12.0 x 7.25 x 25.3 | 1 |
| 272 | Sonic 540-M3 Spec Rotor 12.2 x 7.25 x 25.3 | 1 |
| 273 | Sonic 540-M3 Spec Rotor 12.5 x 7.25 x 25.3 | 1 |
| 274 | Sonic 540-M3 Mod Rotor 12.3 x 5.0 x 25.3 | 1 |
| 275 | Sonic 540-M3 Mod Rotor 12.5 x 5.0 x 25.3 | 1 |
| 276 | Sonic 540-M3 Mod Rotor 13.0 x 5.0 x 25.3 | 1 |
| 277 | Sonic 540-M3 Stainless Steel Bearing Set | 1 |
| 279 | Sonic 540-M3 Sensor Assembly | 1 |
| 280 | Sonic 540-M3 Rotor Spacer Set | 1 |
| 281 | Sonic 540-M3 Case Screws w/Insulator | 1 |
| 282 | Sonic 540-M3 Motor Mounting Plate 1S | 1 |
| 283 | Sonic 540-M3 Motor Mounting Plate | 1 |
| 286 | 540-M3/S-Plus Spec Rotor 12.3 x 7.25 x 25.3 | 1 |
| 295 | Sonic 540-FT Spec Rotor 12.0 x 7.25 x 25.3 | 1 |
| 296 | Sonic 540-M3 Mod Rotor 12.0 x 5.0 x 24.2 | 1 |
| 27414 | 540-M3/S-Plus Spec Rotor 12.5 x 7.15 x 24.2 | 1 |
| 27415 | 540-M3/S-Plus Spec Rotor 12.3 x 7.15 x 24.2 | 1 |
| 27416 | 540-M3/S-Plus Spec Rotor 12.0 x 7.15 x 24.2 | 1 |
| 27417 | S-Plus Screw Set | 1 |
| 27418 | 540-M3/S-Plus Lightweight Sensor Board | 1 |
| 27419 | S-Plus Front Plate | 1 |
| 27420 | 540-M3/S-Plus Aluminum Case Screw Set | 1 |
| 27421 | 540-M3/S-Plus Aluminum Timing Screw Set | 1 |

Sensor Wires

| | | |
|-----|------------------------|---|
| 978 | Flat Sensor Wire 70mm | 1 |
| 979 | Flat Sensor Wire 110mm | 1 |
| 980 | Flat Sensor Wire 150mm | 1 |
| 981 | Flat Sensor Wire 200mm | 1 |
| 982 | Flat Sensor Wire 270mm | 1 |
| 994 | Flat Sensor Wire 125mm | 1 |
| 995 | Flat Sensor Wire 175mm | 1 |

:: Reedy ESC's

| | | |
|-------|--|---|
| 253C | Blackbox 800Z/540-M3 21.5 Combo | 1 |
| 254C | Blackbox 800Z/540-M3 17.5 Combo | 1 |
| 255C | Blackbox 800Z/540-M3 15.5 Combo | 1 |
| 256C | Blackbox 1000Z+/540-M3 10.5 Combo | 1 |
| 258C | Blackbox 1000Z+/540-M3 8.5 Combo | 1 |
| 259C | Blackbox 1000Z+/540-M3 8.0 Combo | 1 |
| 260C | Blackbox 1000Z+/540-M3 7.5 Combo | 1 |
| 261C | Blackbox 1000Z+/540-M3 7.0 Combo | 1 |
| 262C | Blackbox 1000Z+/540-M3 6.5 Combo | 1 |
| 27002 | Blackbox 800Z 2S Zero-Timing Competition ESC | 1 |
| 27003 | Blackbox 1000Z+ 2S Competition ESC | 1 |
| 27004 | Blackbox 510R Competition ESC | 1 |
| 27005 | Blackbox 510R Competition ESC w/PROgrammer2 | 1 |
| 27006 | Blackbox 600Z 2S Zero-Timing Competition ESC | 1 |
| 27024 | Blackbox Pro Capacitor Unit | 1 |
| 27026 | Blackbox 1000Z+ Fan w/Screws | 1 |
| 27027 | Blackbox PROgrammer2 | 1 |
| 27028 | Blackbox 30x30x7mm Fan w/screws | 1 |
| 27029 | Blackbox Pro Modified Capacitor Unit | 1 |
| 27030 | Blackbox ESC/Programmer2 Connection Wire | 1 |

:: Reedy Servos & Accessories

| | | |
|-------|---|---|
| 27100 | RS1206 Digital HV Hi-Speed Competition Servo | 1 |
| 27101 | RT1508 Digital HV Hi-Torque Competition Servo | 1 |
| 27102 | RS1206 Servo Case Set w/screws | 1 |
| 27103 | RS1206 Servo Gear Set | 1 |
| 27104 | RT1508 Servo Case Set w/screws | 1 |
| 27105 | RT1508 Servo Gear Set | 1 |
| 27106 | RS1806A Digital HV Hi-Speed Alum. Comp. Servo | 1 |
| 27107 | RT2207A Digital HV Hi-Speed Alum. Comp. Servo | 1 |
| 27108 | RS0806 Digital HV Hi-Speed LP Competition Servo | 1 |
| 27109 | RT1408 Digital HV Hi-Speed LP Competition Servo | 1 |
| 27110 | 0712MG Digital RTR Servo | 1 |
| 27111 | 1514MG Digital RTR Servo | 1 |
| 27120 | RS1806A Servo Gear Set | 1 |
| 27121 | RT2207A Servo Gear Set | 1 |
| 27124 | RS0806 LP Case Set | 1 |
| 27125 | RS0806 LP Gear Set | 1 |
| 27126 | RT1408 LP Case Set | 1 |
| 27127 | RT1408 LP Gear Set | 1 |
| 27129 | 0712MG Servo Gear Set | 1 |
| 27130 | 1514MG Servo Gear Set | 1 |

:: Reedy Accessories

| | | |
|-------|---|---|
| 643 | Low Profile Bullet Plug 4mm x 14mm (2) | 1 |
| 644 | Low Profile Bullet Plug 4mm x 14mm (10) | 1 |
| 645 | Low Profile Bullet Plug 5mm x 14mm (2) | 1 |
| 646 | Low Profile Bullet Plug 5mm x 14mm (10) | 1 |
| 647 | Silicone Wire 12AWG-Black (1m) | 1 |
| 648 | Silicone Wire 14AWG-Black (1m) | 1 |
| 649 | Silicone Wire 16AWG-Black (1m) | 1 |
| 650 | Shrink Tubing - 15pcs 4.5mm x 20mm | 1 |
| 747 | Silicone Wire 12AWG-Black (30m) | 1 |
| 748 | Silicone Wire 14AWG-Black (30m) | 1 |
| 790 | Silicone Wire 13AWG-Black (1m) | 1 |
| 791 | Silicone Wire 13AWG-Black (30m) | 1 |
| 792 | Low Profile Caged Bullet Plug 4mm x 14mm (2) | 1 |
| 793 | Low Profile Caged Bullet Plug 4mm x 14mm (10) | 1 |
| 794 | Low Profile Caged Bullet Plug 5mm x 14mm (2) | 1 |
| 795 | Low Profile Caged Bullet Plug 5mm x 14mm (10) | 1 |
| 27304 | LiPo Battery Weight Set - Shorty | 1 |

:: Apparel / Promotional**TEE SHIRTS**

| | | |
|--------|--|---|
| SP11* | 2016 Worlds T-shirt, blue, (S, M, L, XL-5XL) | 1 |
| SP12* | 2016 Worlds T-shirt, black, (S, M, L, XL-5XL) | 1 |
| SP113* | AE Worlds Car Retro T-Shirt, (S, M, L, XL-3XL) | 1 |
| SP114* | Circuit T-Shirt - Black (S, M, L, XL-3XL) | 1 |
| SP120* | AE 3/4 Sleeve Tee, Gray (S, M, L, XL-3XL) | 1 |
| SP121* | Kids AE Speed Tee, Black (S, M, L) | 1 |
| SP122* | Ladies AE Speed Tee, Black (S, M, L, XL) | 1 |
| SP123* | Mens AE Speed Tee, Navy (S, M, L, XL-5XL) | 1 |
| SP124* | AE 2017 Worlds Tee, Black (S, M, L, XL-3XL) | 1 |
| SP140* | Reedy Heritage Tee, Black (S, M, L, XL-5XL) | 1 |

HOODIES/JACKETS

| | | |
|--------|--|---|
| SP13* | AE Lite Jacket - Black - (S, M, L, XL, 2XL) | 1 |
| SP71* | AE Winter Jacket - Black (S, M, L, XL, 2XL) | 1 |
| SP111* | Reedy W15 Sweatshirt - Black (S, M, L, XL-3XL) | 1 |
| SP141* | Reedy R Hoodie - Black (S, M, L, XL-3XL) | 1 |

HATS

| | | |
|--------|---------------------------------------|---|
| SP20 | AE Patch Trucker Hat | 1 |
| SP38 | Reedy Trucker Hat | 1 |
| SP406 | 2017 Reedy Power Hat, Black | 1 |
| SP407 | 2017 Team Associated Hat, Gray | 1 |
| SP408 | AE Worlds Hat | 1 |
| SP421S | AE 2012 Hat, Black, Flat Bill, S/M | 1 |
| SP421L | AE 2012 Hat, Black, Flat Bill, L/XL | 1 |
| SP422S | AE 2012 Hat, Black, Curved Bill, S/M | 1 |
| SP422L | AE 2012 Hat, Black, Curved Bill, L/XL | 1 |
| SP423S | AE 2012 Hat, White, Flat Bill, S/M | 1 |
| SP423L | AE 2012 Hat, White, Flat Bill, L/XL | 1 |
| SP424S | AE 2012 Hat, White, Curved Bill, S/M | 1 |
| SP424L | AE 2012 Hat, White, Curved Bill, L/XL | 1 |

BANNERS/MATS CARRIERS

| | | |
|--------|--|---|
| SP29 | Team Associated Countertop/Setup Mat | 1 |
| SP30 | Team Associated Pit Mat | 1 |
| SP31 | Reedy Countertop/Setup Mat | 1 |
| SP115 | Reedy Circuit Cloth Banner | 1 |
| SP425 | FT Fluid Carrier | 1 |
| SP426 | Team Associated Countertop / Setup Mat | 1 |
| SP427 | Reedy Countertop / Setup Mat | 1 |
| 110684 | Team Associated Track Banner | 1 |
| 110685 | Team Associated Cloth Banner | 1 |

* Use part number plus the desired size when ordering!

:: Tools

| | | |
|------|---|----|
| 1111 | FT Turnbuckle Wrench | 1 |
| 1112 | FT 4mm Turnbuckle Wrench | 1 |
| 1113 | 12mm Big Bore Shock Tool | 1 |
| 1114 | FT Dual Turnbuckle Wrench | 1 |
| 1449 | Off Road Ride Height Gauge | 1 |
| 1452 | FT TC Ride Height Gauge | 1 |
| 1498 | FT Universal Tire Balancer | 1 |
| 1541 | FT Hex Driver Set, (7 pcs) | 1 |
| 1545 | FT 5/64" Blue Hex Driver | 1 |
| 1555 | FT Clutch Gauge, 4 Shoe | 1 |
| 1568 | FT 5.5mm Short Nut Driver | 1 |
| 1569 | FT 7mm Nut Driver, T-Handle | 1 |
| 1570 | FT 5.5mm Short Nut Driver | 1 |
| 1571 | FT 1:8 Wheel Nut Wrench, 17mm Hex | 1 |
| 1579 | FT Ball Cup Wrench | 1 |
| 1590 | FT 3/32" Gold Ball Hex Driver | 1 |
| 1592 | FT Ball Hex Driver Set, (3 pcs) | 1 |
| 1655 | FT 8-Piece 1/4" Hex Drive Set | 1 |
| 1656 | FT 1/4" Hex Drive Handle, without tips | 1 |
| 1657 | FT 1/4" Hex Drive .050" Tip | 1 |
| 1658 | FT 1/4" Hex Drive 1/16" Tip | 1 |
| 1659 | FT 1/4" Hex Drive 5/64" - 2.0mm Tip | 1 |
| 1660 | FT 1/4" Hex Drive 3/32" Tip | 1 |
| 1661 | FT 1/4" Hex Drive 1.5mm Tip | 1 |
| 1662 | FT 1/4" Hex Drive 2.5mm Tip | 1 |
| 1663 | FT 1/4" Hex Drive 3/16" Nut Driver Tip | 1 |
| 1664 | FT 1/4" Hex Drive 1/4" Nut Driver Tip | 1 |
| 1665 | FT 1/4" Hex Drive 11/32" Nut Driver Tip | 1 |
| 1666 | FT 1/4" Hex Drive 5.5mm Nut Driver Tip | 1 |
| 1667 | FT 1/4" Hex Drive 7.0mm Nut Driver Tip | 1 |
| 1668 | FT 1/4" Hex Drive 8.0mm Nut Driver Tip | 1 |
| 1669 | FT 1/4" Hex Drive 5/64" - 2.0mm Ball End Tip | 1 |
| 1670 | FT 1/4" Hex Drive 3/32" Ball End Tip | 1 |
| 1671 | FT 1/4" Hex Drive Standard Screwdriver Tip | 1 |
| 1672 | FT 1/4" Hex Drive Phillips Screwdriver Tip | 1 |
| 1673 | FT 1/4" Hex Drive 2.5mm Ball End Tip | 1 |
| 1674 | FT 1/4" 5 Piece Power Tool Tips Set (5/64-2.0mm, 1.5mm, 2.5mm, 5/64"- 2.0mm ball, 2.5mm ball) | 1 |
| 1675 | FT Shock Shaft Pliers | 1 |
| 1679 | FT T-Handle Ratchet Driver | 1 |
| 1719 | FT Camber + Track Width Tool | 1 |
| 1737 | FT Body Scissors | 1 |
| 3718 | 12 Inch Nylon Wire Ties | 12 |
| 3719 | 6 Inch Nylon Wire Ties | 12 |
| 3720 | 8 Inch Nylon Wire Ties | 12 |
| 3987 | FT Droop Gauge | 1 |
| 7709 | 4 Inch Nylon Wire Ties | 12 |

:: Notes**:: Contact Information**

Check out the following web sites for all of our electric kits, current products, new releases, setup help, tips, and racing info!

**Associated Electrics, Inc.
26021 Commercentre Drive
Lake Forest, CA 92630-8853 USA
<http://www.TeamAssociated.com>
<http://www.RC10.com>
http://twitter/Team_Associated
<http://www.instagram.com/teamassociatedrc/>
<http://www.facebook.com/TeamAssociated/>**

**call: (949) 544-7500
fax: (949) 544-7501**

Front Suspension:

| | |
|----------------------|------------------|
| Ride Height: | 22mm |
| Camber: | -1° |
| Toe: | 0° |
| Arm Type: | Gull-Wing |
| Tower Type: | Gull-Wing |
| Caster Block Insert: | +5° |
| Steering Block: | 4mm |
| Bulkhead Type: | Plastic |
| Kick-Up Angle: | 25° |
| Wheel Hex: | 5.0mm |
| Notes: | _____ |
| | _____ |
| | _____ |

Anti Roll Bar:

None

White (0.8mm)

Gray (0.9mm)

Blue (1.0mm)

Other: _____

Bump Steer Spacing: **1mm**

Axle Height:

+3

+2

+1

0

Ball Stud Spacing: **1mm**

Steering Plate: **+1**

Steering Stop Spacing: **0**

Ball Stud Spacing: **1mm**

Caster Block Spacing: **1mm**

Rear Suspension:

| | |
|--------------------------|---|
| Ride Height: | 22mm |
| Camber: | -1° |
| Wheel Hex: | 7.0mm |
| Hub Spacing: | Forward <input type="checkbox"/> Middle <input checked="" type="checkbox"/> Back <input type="checkbox"/> |
| Shock Mounting Position: | Front of Arm <input checked="" type="checkbox"/> Rear of Arm <input type="checkbox"/> |
| Notes: | MIP Pucks System |
| | _____ |
| | _____ |

Anti Roll Bar:

None

White (1.2mm)

Gray (1.3mm)

Blue (1.4mm)

Other: _____

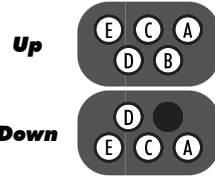
C Mount Inserts: 1° 0.5°

Aluminum Brass

D Mount Inserts: 1° 0.5°

Aluminum Brass

Rear Hub Link Setting:



Ball Stud Spacing: **2mm**

Hub Insert:

+3 +2 +1 0

Electronics:

| | |
|---------------------------------------|-----------|
| Radio: | Servo: |
| EPA: Throttle: _____ % Brake: _____ % | |
| ESC: | |
| ESC Settings: | |
| Motor: | |
| Wind: | Timing: |
| Pinion: | Spur: |
| Battery: | |
| Battery Position: | 3F |

Drivetrain:

| | |
|---|--|
| Transmission: | Laydown: <input checked="" type="checkbox"/> |
| 3 Gear: <input checked="" type="checkbox"/> | Layback: <input type="checkbox"/> |
| 4 Gear: <input type="checkbox"/> | Stand Up: <input type="checkbox"/> |
| Differential: | Ball Diff: <input checked="" type="checkbox"/> |
| Height: 0 | Gear Diff: <input type="checkbox"/> |
| Notes: | 4,000 Diff Fluid |
| Slipper Clutch: | |
| Type: | Direct Drive |
| # of Pads: | 0 |

Shocks:

| | Front | Rear |
|----------------|-----------------|-----------------|
| Piston: | 2 x 1.6 | 2 x 1.7 |
| Fluid: | 30 | 30 |
| Spring: | V2 White | V2 White |
| Limiters: | 2 | 1 |
| Stroke: | 20.5 | 28.0 |
| Eyelet Length: | Long | Short |
| Cup Offset: | 5mm | 5mm |
| Notes: | | |



Track Info:

| | |
|--------------|--|
| Size: | Small <input type="checkbox"/> Medium <input type="checkbox"/> Large <input type="checkbox"/> Extra Large <input type="checkbox"/> |
| Surface: | Dirt <input type="checkbox"/> Carpet <input type="checkbox"/> Astroturf <input type="checkbox"/> Multi Surface <input type="checkbox"/> |
| Traction: | Low <input type="checkbox"/> Medium <input type="checkbox"/> High <input type="checkbox"/> Very High <input type="checkbox"/> |
| Moisture: | Dry <input type="checkbox"/> Damp <input type="checkbox"/> Wet <input type="checkbox"/> |
| Condition: | Indoor <input type="checkbox"/> Outdoor <input type="checkbox"/> Dusty <input type="checkbox"/> Hard Packed <input type="checkbox"/> Bumpy <input type="checkbox"/> Grooved <input type="checkbox"/> Smooth <input type="checkbox"/> Loamy <input type="checkbox"/> |
| Temperature: | Ambient: _____ Track: _____ |
| Notes: | _____ |

Tires:

| | |
|-----------------|-------|
| Front Tires: | _____ |
| Front Compound: | _____ |
| Front Insert: | _____ |
| Rear Tires: | _____ |
| Rear Compound: | _____ |
| Rear Insert: | _____ |
| Wheel (F/R): | _____ |
| Notes: | _____ |

Body, Wing, Weight:

| | |
|-----------------------|--|
| Body: | Kit |
| Wing: | Kit |
| Wing Angle: | 0° <input type="checkbox"/> 3° <input type="checkbox"/> 6° <input checked="" type="checkbox"/> |
| Servo Weights: | None <input checked="" type="checkbox"/> Aluminum <input type="checkbox"/> Steel <input type="checkbox"/> Other <input type="checkbox"/> |
| Electronic Weights: | None <input checked="" type="checkbox"/> Aluminum <input type="checkbox"/> Steel <input type="checkbox"/> Other <input type="checkbox"/> |
| Total Vehicle Weight: | _____ |

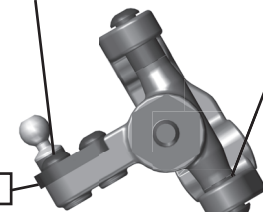
Vehicle Comments:

Notes: _____

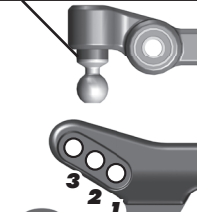
Front Suspension:

Ride Height: _____
Camber: _____
Toe: _____
Arm Type: _____
Tower Type: _____
Caster Block Insert: _____
Steering Block: _____
Bulkhead Type: _____
Kick-Up Angle: _____
Wheel Hex: _____
Notes: _____

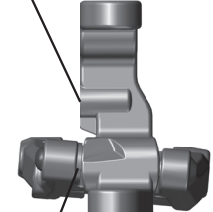
Anti Roll Bar:
 None
 White (0.8mm)
 Gray (0.9mm)
 Blue (1.0mm)
 Other: _____

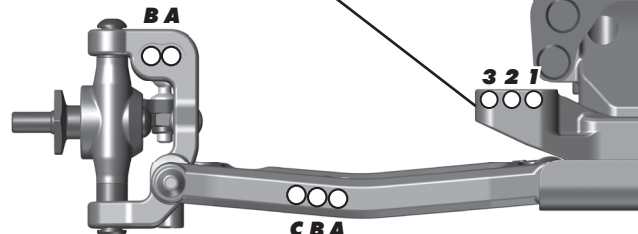
Bump Steer Spacing: _____


Axle Height:
 +3
 +2
 +1
 0

Ball Stud Spacing: _____


Steering Plate: _____
Steering Stop Spacing: _____

Caster Block Spacing: _____


Ball Stud Spacing: _____




Rear Suspension:

Ride Height: _____
Camber: _____
Wheel Hex: _____
Hub Spacing:
 Forward Middle Back
Shock Mounting Position:
 Front of Arm Rear of Arm
Notes: _____

Anti Roll Bar:
 None
 White (1.2mm)
 Gray (1.3mm)
 Blue (1.4mm)
 Other: _____

C Mount Inserts: 1° 0.5°
 Aluminum Brass

D Mount Inserts: 1° 0.5°
 Aluminum Brass

Rear Hub Link Setting:
Up

Down


Ball Stud Spacing: _____


Hub Insert:
 +3 +2 +1 0

Electronics:

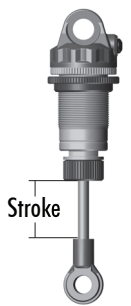
Radio: _____ **Servo:** _____
EPA: Throttle: _____ % Brake: _____ %
ESC: _____
ESC Settings: _____
Motor: _____
Wind: _____ **Timing:** _____
Pinion: _____ **Spur:** _____
Battery: _____
Battery Position: _____

Drivetrain:

Transmission: **Laydown:**
3 Gear: **Layback:**
4 Gear: **Stand Up:**
Differential: **Ball Diff:**
Height: _____ **Gear Diff:**
Notes: _____
Slipper Clutch:
Type: _____
of Pads: _____

Shocks:

| | Front | Rear |
|-----------------------|-------|-------|
| Piston: | _____ | _____ |
| Fluid: | _____ | _____ |
| Spring: | _____ | _____ |
| Limiters: | _____ | _____ |
| Stroke: | _____ | _____ |
| Eyelet Length: | _____ | _____ |
| Cup Offset: | _____ | _____ |
| Notes: | _____ | _____ |



Track Info:

Size: Small Medium Large Extra Large
Surface: Dirt Carpet Astroturf Multi Surface
Traction: Low Medium High Very High
Moisture: Dry Damp Wet
Condition: Indoor Outdoor Dusty Hard Packed
 Bumpy Grooved Smooth Loamy
Temperature: Ambient: _____ Track: _____
Notes: _____

Tires:

Front Tires: _____
Front Compound: _____
Front Insert: _____
Rear Tires: _____
Rear Compound: _____
Rear Insert: _____
Wheel (F/R): _____
Notes: _____

Body, Wing, Weight:

Body: _____
Wing: _____
Wing Angle: 0° 3° 6°
Servo Weights:
 None Aluminum Steel Other
Electronic Weights:
 None Aluminum Steel Other
Total Vehicle Weight: _____

Vehicle Comments:

Notes: _____

TEAM ASSOCIATED

WORLD CHAMPION R/C CARS

Associated Electrics, Inc.

26021 Commercentre Dr. Lake Forest, CA 92630 USA

call: (949) 544-7500 - fax: (949) 544-7501

**Check out the following web sites for all of our kits,
current products, new releases, setup help, tips, and racing info!
www.TeamAssociated.com - www.RC10.com**

FOLLOW US ON SOCIAL MEDIA



**TeamAssociated
ReedyPower**



**@TeamAssociatedRC
@ReedyPower**



**@Team_Associated
@ReedyPower**



AEFactoryTeam