

Name: _____ Date: _____ Event: _____
 City: _____ State: _____ Track: _____



Track Conditions

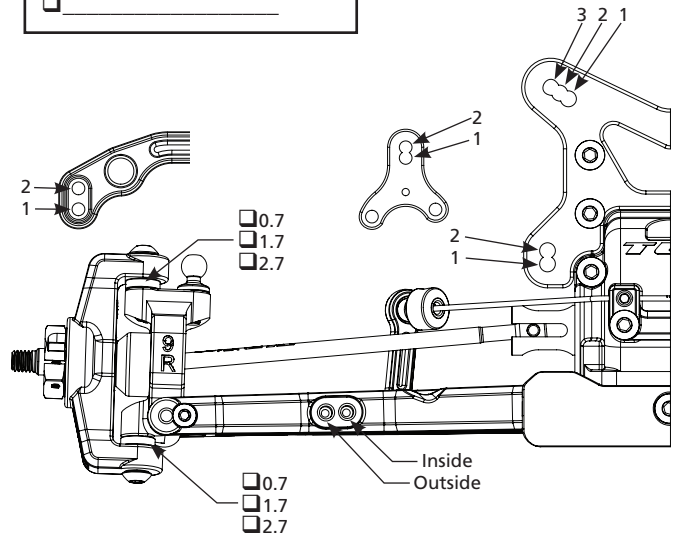
- Dirt Carpet Tight Smooth Hard Packed Dry Grip Level: Low Medium High
 Clay Astro Turf Open Rough Loamy Wet Tread Level: Pin Ghost Pin Slicks

Front Suspension

Toe: _____ Camber: _____
 Ride Height: _____ Caster Block: 6° 9° 12°
 Shaft Dia: 3.0 3.5 Piston: _____ Oil: _____
 Limiters: Internal: _____ External: _____ Stroke: _____
 Shock Eyelet: Std. +2 Shock Location: _____
 Spring: _____ Sway Bar: _____
 Steering Brace: Posts Posts to Gearbox
 Rack Location: 1 2 Rack: Composite Aluminum
 Spindle Steering Arm: 1 Other _____
 Spindle Ball Stud: Standard Low Spacers: _____
 Draglink Ball Stud: Standard Low Spacers: _____
 Bell Crank Arm Location: 1 2 Other _____
 Hex Width (mm): 4.0 4.5 5.0 5.5
 Camber Link, Inner: 1 2 Outer Spacers: _____
 Mud Guard: Soft Stiffezel
 Front Wheels: 22X-4 Std Other _____
 Front Wing: None TLR Scoop Other _____
 Diff Gears: Steel Composite Planet Gears: 2 4
 Diff Oil: _____ Ring/Pinion: Steel Composite
 Driveshaft: X74mm CVA 74mm LCD _____

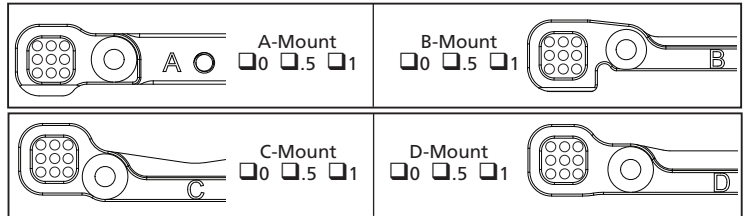
Stiffezel Parts

- Front Arm Rear Arm



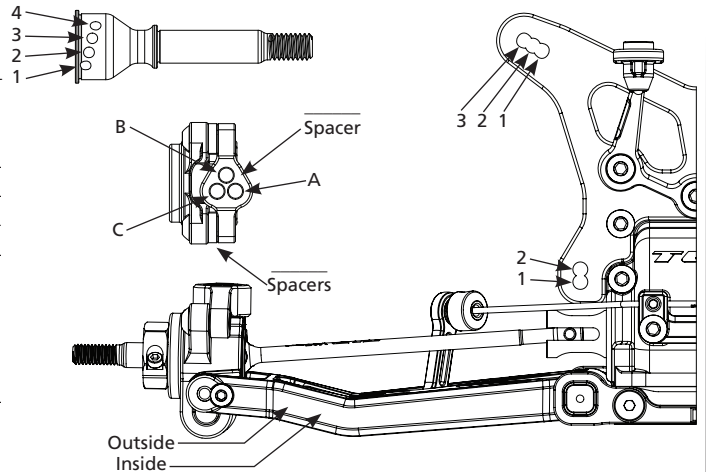
Center Drive

Motor Mount Location: Forward Rearward
 Drive Type: Slipper Center Diff
 Slipper Pads: Torque (yel) Drive (org)
 Diff Gear: Steel Composite Planet Gears: 2 4
 Diff Oil: _____ Diff Cover: Composite Aluminum



Rear Suspension

Gear Box Shim: None 2mm _____
 Axle Height: 0 +1 +2 +3 +4
 Ride Height: _____ Camber: _____
 Hub Spacing: _____ Fr _____ Rr
 Hex Width (mm): 4.0 4.5 5.0 5.5 6.0
 Shaft Dia: 3.0 3.5 Piston: _____ Oil: _____
 Spring: _____ Sway Bar: _____
 Limiters: Internal: _____ External: _____ Stroke: _____
 Shock Eyelet: Std. +2 Shock Location: _____
 Camber Link, Inner: 1 2 Outer: A B C
 Front Battery Spacer: None 1 2 3
 Diff Gears: Steel Composite Planet Gears: 2 4
 Diff Oil: _____ Ring/Pinion: Steel Composite
 Driveshaft: X67mm X68mm Other _____
 CV Pin Position: 1 2 3 4
 Wing/Wickerbill: _____
 Wing Angle: 0° 2° 4° Wing Height: _____



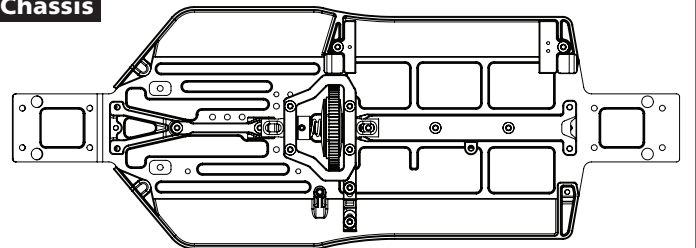
Tires

	Front	Rear
Brand:	_____	_____
Tread:	_____	_____
Compound:	_____	_____
Insert:	_____	_____
Sauce:	_____	_____

Electronics

Radio: _____ Steering Expo: _____
 Servo: _____ Throttle/Brake EPA: _____
 ESC: _____ Motor: _____
 Initial Brake: _____ Spur/Pinion: _____
 Drag Brake: _____ Battery: _____
 Throttle Profile: _____ Battery Weight: _____
 Timing Advance: _____

Chassis



Electronics Plate
 Carbon

 Total Weight: _____
 FR: _____ % RR: _____ %

Notes

