

Name: \_\_\_\_\_ Date: \_\_\_\_\_ Event: \_\_\_\_\_  
 City: \_\_\_\_\_ State: \_\_\_\_\_ Track: \_\_\_\_\_

Track Conditions:  Indoor  Tight  Smooth  Hard Packed  Blue Groove  Wet  Low Bite  High Bite  
 Outdoor  Open  Rough  Loose/Loamy  Dry  Dusty  Med Bite  Other \_\_\_\_\_

**Front Suspension**

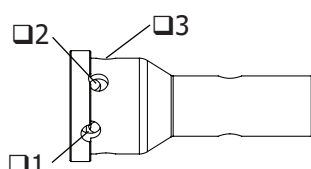
Toe: \_\_\_\_\_ Camber: \_\_\_\_\_  
 Ride Height: \_\_\_\_\_  
 Caster Block:  17.5  20  
 Spindle Height:  High  Low  
 Wheel Hex: \_\_\_\_\_  
 Sway Bar: \_\_\_\_\_  
 Piston: \_\_\_\_\_  
 Oil: \_\_\_\_\_  
 Shock Type:  Bladder  Emulsion  Vented  
 Spring: \_\_\_\_\_  
 Pills: A \_\_\_\_\_ B \_\_\_\_\_  
 Overall Shock Length: \_\_\_\_\_  
 Drag Link/Ackerman: \_\_\_\_\_  
 Bump Spindle: \_\_\_\_\_ Link: \_\_\_\_\_  
 Camber Link: \_\_\_\_\_  
 Shock Location: \_\_\_\_\_  
 Front Diff Fluid: \_\_\_\_\_  
 Front Diff Overdrive:   
 Receiver Battery Type: \_\_\_\_\_  
 Weight: \_\_\_\_\_

**Optional Parts**

Alum Servo Saver Arm   
 Titanium Turnbuckles   
 Alum Front Brace   
 Alum Chassis Brace   
 QC Engine Mount   
 Carbon Center Brace   
 Aluminum Rear Hubs

**Drive Shaft**

Front:  CVA  UNI  
 Rear:  CVA  UNI  DCVA



**Arm Inserts**

Front:  None  Plastic  Carbon  
 Rear:  None  Plastic  Carbon

**Center**

Center Diff Fluid: \_\_\_\_\_  
 Chassis Rib:  Aluminum  Carbon  None  
 Diff Case:  STD  HD

**Rear Suspension**

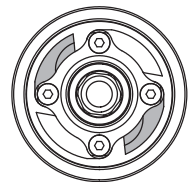
Shocks:  FWD  Back Shock Shaft:  3.5  4.0  
 Toe/D Pill: \_\_\_\_\_ Anti-Squat/C Pill: \_\_\_\_\_  
 D Plate:  STD  LRC  
 Ride Height: \_\_\_\_\_ Camber: \_\_\_\_\_  
 Rear Hub Spacing: \_\_\_\_\_  
 Hub Height:  A  B  Other  
 Wheel Hex: \_\_\_\_\_  
 Sway Bar: \_\_\_\_\_  
 Piston: \_\_\_\_\_  
 Oil: \_\_\_\_\_  
 Shock Type:  Bladder  Emulsion  Vented  
 Spring: \_\_\_\_\_  
 Overall Shock Length: \_\_\_\_\_ Stroke: \_\_\_\_\_  
 Camber Link: \_\_\_\_\_  
 Shock Position: \_\_\_\_\_  
 Rear Diff Fluid: \_\_\_\_\_  
 Weight: \_\_\_\_\_

**Engine**

Engine: \_\_\_\_\_ Fuel: \_\_\_\_\_  
 Glow Plug: \_\_\_\_\_ Head Clearance: \_\_\_\_\_  
 Pipe/Header: \_\_\_\_\_ Gearing: \_\_\_\_\_

**Clutch**

Clutch Shoes and Springs Info



\_\_\_\_\_

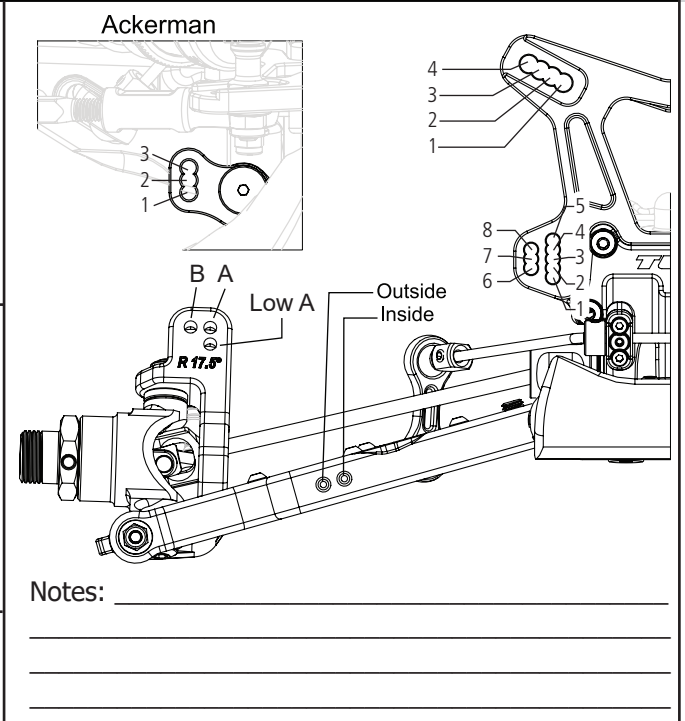
\_\_\_\_\_

\_\_\_\_\_

\_\_\_\_\_

**Tires**

Type	Compound	Insert
Front: _____	_____	_____
Rear: _____	_____	_____
Notes: _____	_____	_____



**Wing Setup**

Wing Type: \_\_\_\_\_  
 Wicker Bill:  .250  .350  
 Wing Spacer: \_\_\_\_\_  
 Front Wing:

